

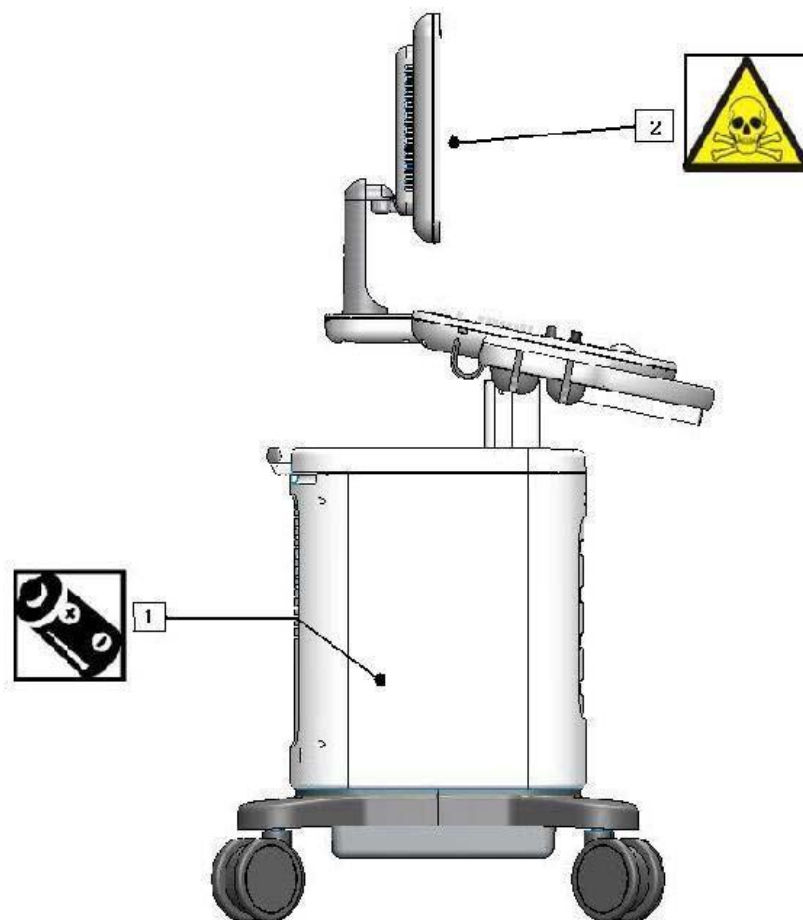


Appendix 1  
**Recycling Passport**

<b>Product Name:</b>		<b>HD5&amp;HD5G Diagnostic Ultrasound System</b>
<b>Product Model</b>		<b>HD5&amp;HD5G</b>
<b>Identification Code</b>		<b>989605407911</b>
<b>Total weight (in Kg)</b>		<b>47 ± 5kg</b>
<b>Producer /Manufacturer</b>	<b>Name</b>	Philips and Neusoft Medical Systems Co., Ltd
	<b>Address:</b>	Neusoft Park, Hun Nan Industrial Area, Shenyang 110179, China
<b>Recycle info</b>	<b>Substances</b>	<b>Location</b>
<b>Batteries</b>  <b>To be Removed</b>	<b>Li Battery on PC Board.</b>	<b>Figure 1 [1]</b>
<b>Hazardous</b>  <b>To be Removed</b>	<b>Lead (Pb) – contains lead in cables</b>	<b>NA</b>
	<b>Mercury (Hg) – Monitor contains mercury.</b>	<b>Figure 1 [2]</b>
	<b>Note: Transducers (Probes) contain lead (Pb) on Flex circuits / PCB's in the connector and probe areas</b>	<b>NA</b>

Printed copies are uncontrolled

Figure 1



Printed copies are uncontrolled