
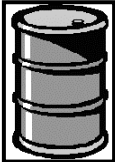




Philips Medical Systems/ Product Recycling Passport

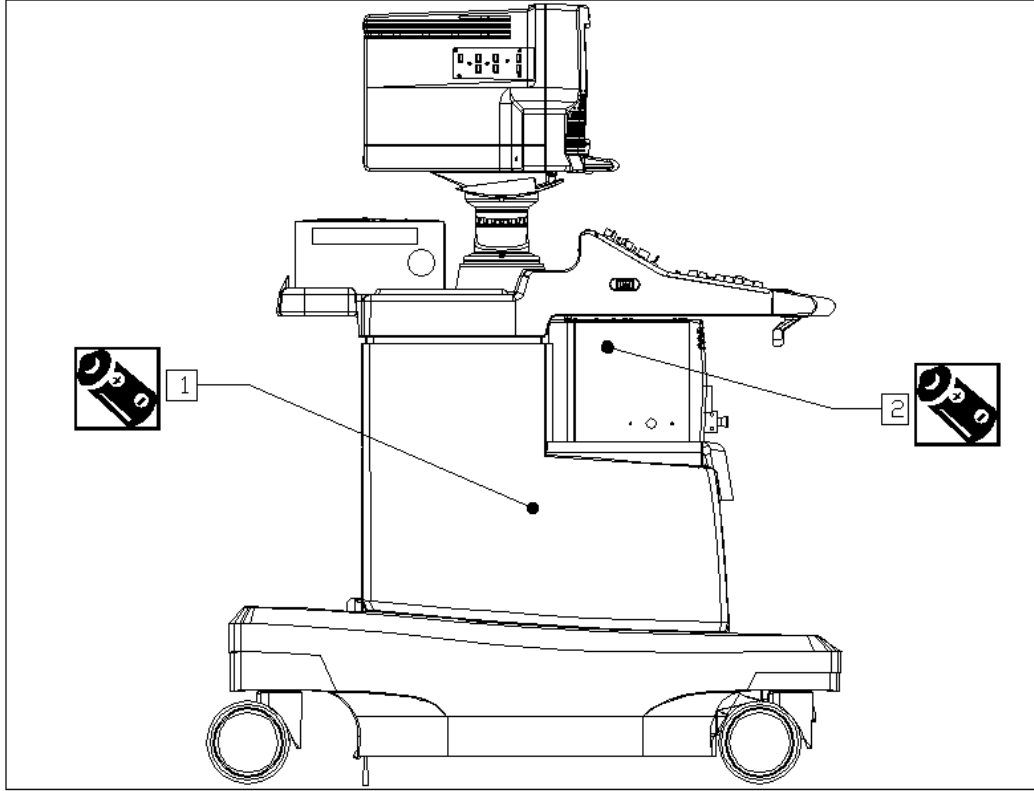
Product name:	HDI 5000 Medical Diagnostic Ultrasound Equipment	
Identification code(s)	8500-0060	
Total weight (in Kg)	200 Kg	
Producer/ Manufacturer	Name company:	Philips Ultrasound
	Address:	22100 Bothell Everett Highway
	Zip code:	98041-3003
	Country:	USA

Recycle Info	Items:	Location
Special attention 	None	
Fluids / Gases 	None	
Batteries  To be Removed	Type:	Location
	Li Battery on CPU PCB	Figure 1 [1]
	Li Battery on APM/DVS Motherboard PCB (Optional OEM device)	Figure 1 [2]
Hazardous  To be Removed	Substances:	Location
	Lead (Pb) – contains lead in PCB's, solder, wiring, and cables	N/A
	Note: Transducers (Probes) contain lead (Pb) on Flex circuits / PCB's in the connector and probe areas	N/A

Printed copies are uncontrolled

Philips Medical Systems/ Product Recycling Passport

Figure 1



Printed copies are uncontrolled

Philips Medical Systems/ Product Recycling Passport

Recycling Passport Revision History

Rev	Description	Date
A	First Passport	September 15, 2006

Recycling Passport Approval Signatures

Written By

Mechanical Engineer: Judy Zuclich

Reviewed By (optional)

Quality &Regulatory: Dave Szczupakowski

Approved By

Marketing Product Manager: Rick Dugan

Approved By

Printed copies are uncontrolled