
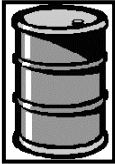




**Philips Medical Systems/ Product Recycling Passport**

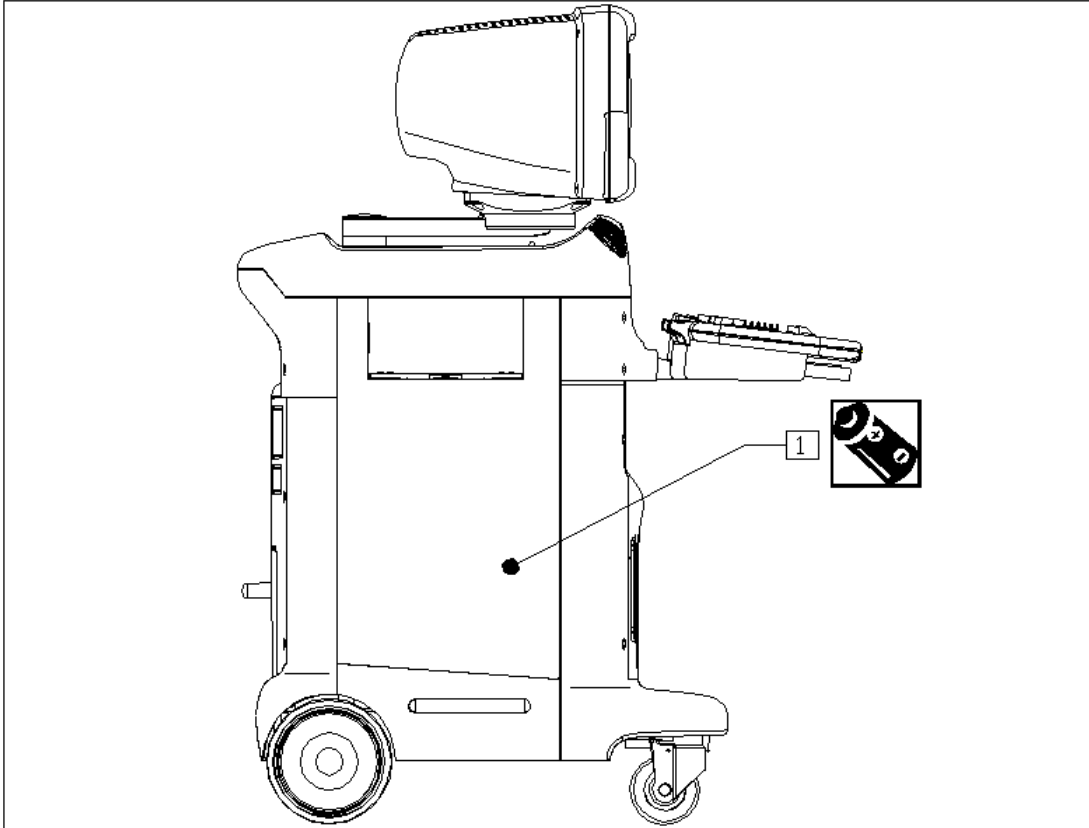
<b>Product name:</b>	<b>HDI 4000 Medical Diagnostic Ultrasound Equipment</b>	
<b>Identification code(s)</b>	<b>8500-0087</b>	
<b>Total weight (in Kg)</b>	<b>123 Kg</b>	
<b>Producer/ Manufacturer</b>	Name company:	Philips Ultrasound
	Address:	22100 Bothell Everett Highway
	Zip code:	98041-3003
	Country:	USA

<b>Recycle Info</b>	<b>Items:</b>	<b>Location</b>
<b>Special attention</b> 	None	
<b>Fluids / Gases</b> 	None	
<b>Batteries</b>  <b>To be Removed</b>	<b>Type:</b> Li Battery on CPU PCB	<b>Location</b> Figure 1 [1]
<b>Hazardous</b>  <b>To be Removed</b>	<b>Substances:</b> Lead (Pb) – contains lead in PCB's, solder, wiring, and cables	<b>Location</b> N/A
	Note: Transducers (Probes) contain lead (Pb) on Flex circuits / PCB's in the connector and probe areas	N/A

Printed copies are uncontrolled

# Philips Medical Systems/ Product Recycling Passport

Figure 1



Printed copies are uncontrolled

## Philips Medical Systems/ Product Recycling Passport

### Recycling Passport Revision History

Rev	Description	Date
A	First Passport	July 31, 2006

### Recycling Passport Approval Signatures

Written By <b>Mechanical Engineer: Judy Zuclich</b>
--

Reviewed By (optional) <b>Quality &amp;Regulatory: Dave Szczupakowski</b>
--

Approved By <b>Marketing Product Manager: Rick Dugan</b>
---

Approved By
-------------

Printed copies are uncontrolled