
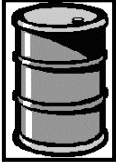




**Philips Medical Systems/ Product Recycling Passport**

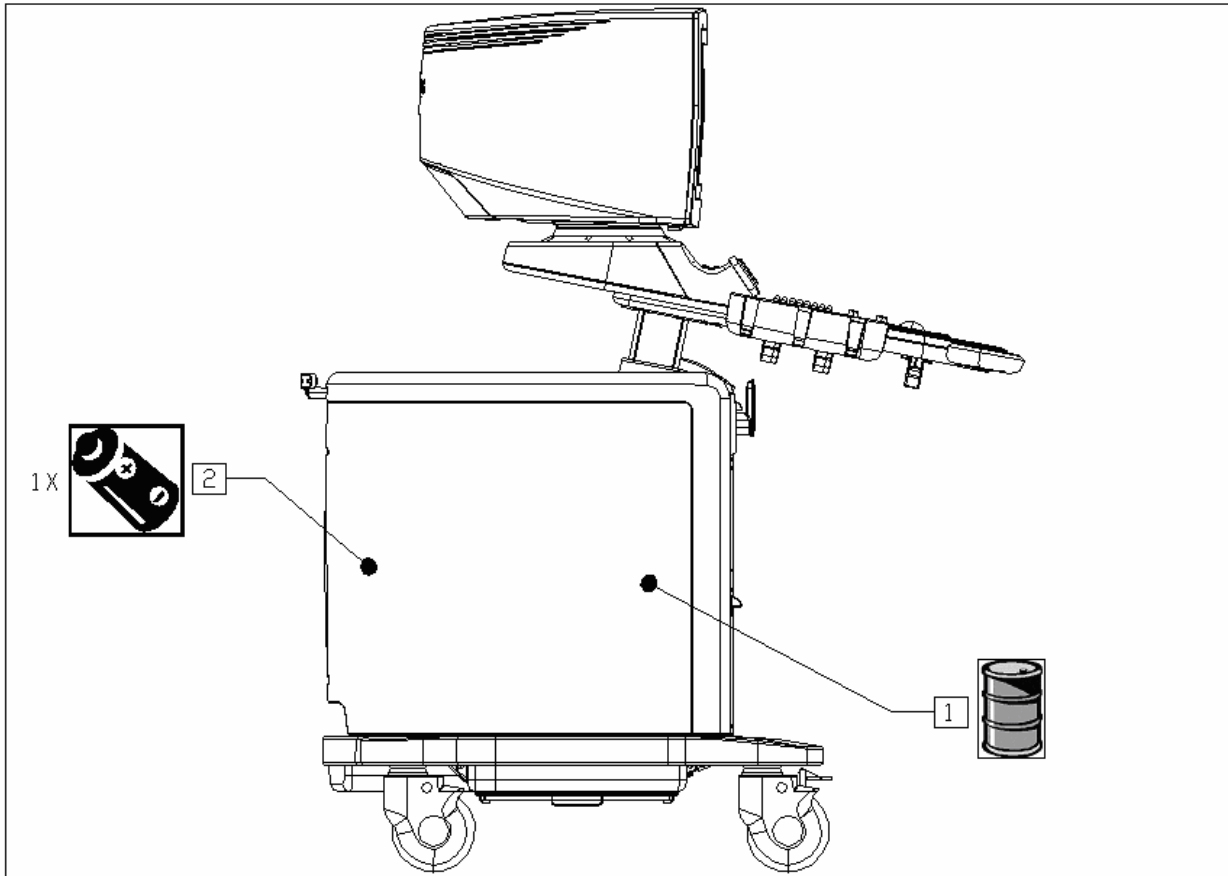
<b>Product name:</b>	<b>HD11 Medical Diagnostic Ultrasound Equipment</b>	
<b>Identification code(s)</b>	<b>989605325131</b>	
<b>Total weight (in Kg)</b>	<b>86 Kg</b>	
<b>Producer/ Manufacturer</b>	Name company:	Philips Ultrasound
	Address:	22100 Bothell Everett Highway
	Zip code:	98041-3003
	Country:	USA

<b>Recycle Info</b>	<b>Items:</b>	<b>Location</b>
<b>Special attention</b> 	Gas Spring under pressure. See Figure 1 [1]	
<b>Fluids / Gases</b> 	<b>Items:</b> Oil and Nitrogen Gas: in Gas Spring Tubes in Lift Mechanism Assy Do not drain oil with device under pressure.	Figure 1 [1]
<b>Batteries</b> 	<b>Type:</b> Li Battery (1X) on CPU PCB	Figure 1 [2]
<b>Hazardous</b> 	<b>Substances:</b> Lead (Pb) – contains lead in PCB's, solder, wiring, and cables	N/A
	Note: Transducers (Probes) contain lead (Pb) on Flex circuits / PCB's in the connector and probe areas	N/A

Printed copies are uncontrolled

# Philips Medical Systems/ Product Recycling Passport

Figure 1



Printed copies are uncontrolled

# Philips Medical Systems/ Product Recycling Passport

## Recycling Passport Revision History

Rev	Description	Date
B	Changed Figure 1 to represent only 1 battery	
A	First Passport	July 31, 2006

## Recycling Passport Approval Signatures

Written By  
**Mechanical Engineer: Judy Zuclich**

Reviewed By (optional)  
**Quality & Regulatory: Dave Szczupakowski**

Approved By  
**Marketing Product Manager: Terri Richardson**

Approved By

Printed copies are uncontrolled