
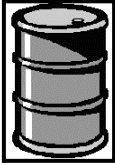




**PHILIPS HEALTHCARE  
PRODUCT RECYCLING PASSPORT**

Printed copies are uncontrolled

<b>Product name:</b>	<b>CX50 Medical Diagnostic Ultrasound Equipment &amp; Cart</b>	
<b>Identification code(s)</b>	<b>989605360181</b>	
<b>Total weight (in Kg)</b>	<b>52 kg</b>	
<b>Producer/ Manufacturer</b>	Name company:	Philips Ultrasound
	Address:	22100 Bothell Everett Highway, Bothell, WA
	Zip code:	98012
	Country:	USA

<b>Recycle Info</b>	<b>Items:</b>	<b>Location</b>
 <b>Special attention</b>	Gas strut under pressure	Figure 1 [1] ( Cart )
 <b>Fluids / Gases</b>	Oil and Nitrogen gas: in gas strut in lift mechanism. Do not drain oil with device under pressure	Figure 1 [1] ( Cart )
 <b>Batteries</b>	Li Battery in System	Figure 1 [2] ( CX 50 )
 <b>Hazardous</b>	Lead (Pb) -- Contains lead in PCB's and solder.	Figure 1 [3] [5] ( CX50 & Cart )
	Mercury (Hg) – Monitor contains mercury.	Figure 1 [4] ( CX 50 )
<b>To be Removed</b>		

**Show locations of materials mentioned on the previous sheet. (Picture information)**

# PHILIPS HEALTHCARE PRODUCT RECYCLING PASSPORT

Printed copies are uncontrolled

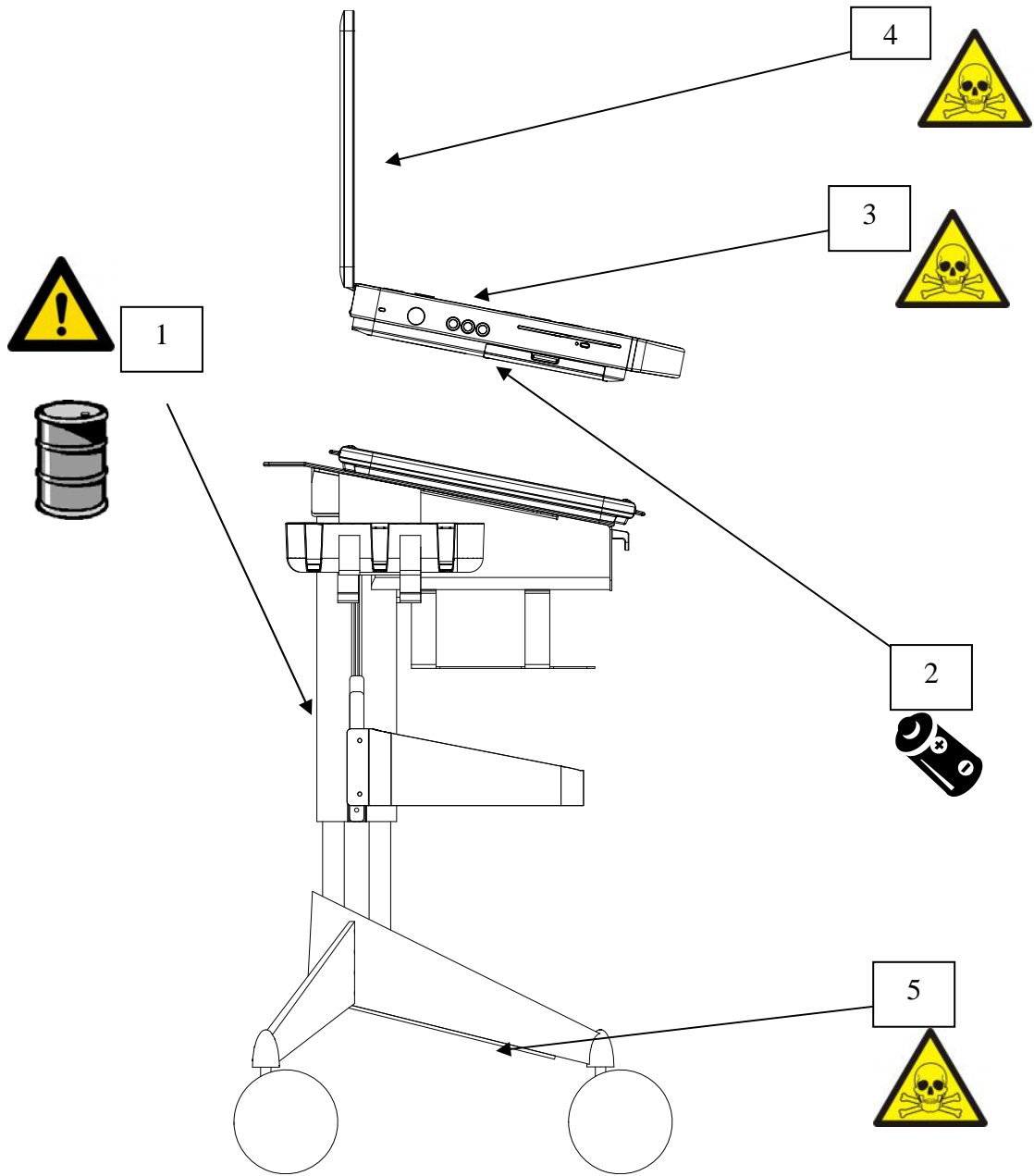


Figure 1