

Product name:	AFFINITI 70 Diagnostic Ultrasound System	
Identification code(s)	989605416151	
Total weight (in Kg)	80 Kg	
Producer/ Manufacturer	Name company:	Philips Ultrasound
	Address:	22100 Bothell Everett Highway, Bothell, WA
	Zip code:	98021
	Country:	USA


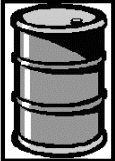


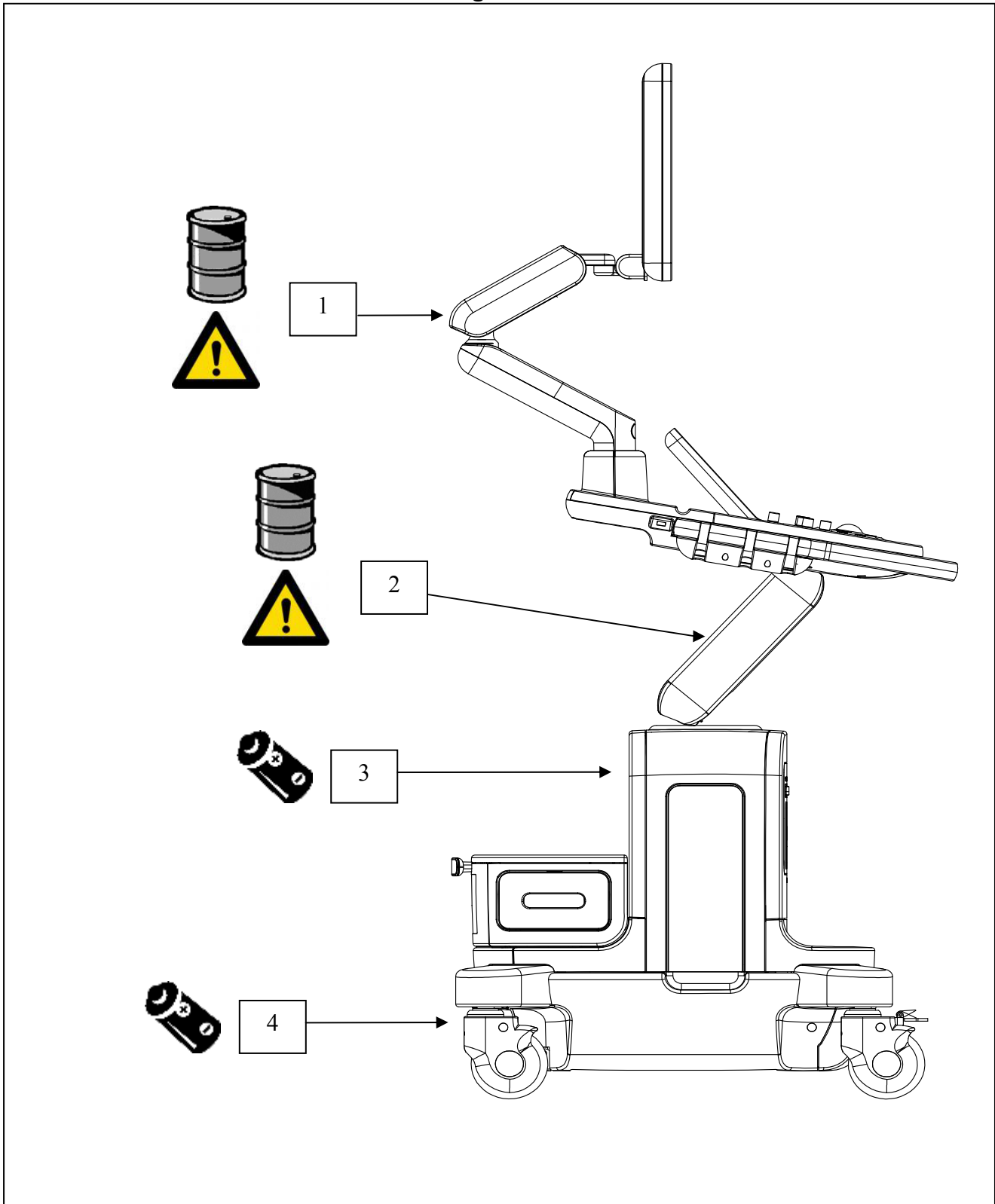
Recycle Info	Items:	Location
Special attention 	Gas Spring under pressure.	Figure 1 [1], [2]
Fluids / Gases 	Items:	Location
	Oil and Nitrogen Gas: (2x) in Gas Spring Tubes in Control Panel Articulation Assy Do not drain oil with device under pressure.	Figure 1 [1]
	Oil and Nitrogen Gas: in Gas Spring Tube in Arm Articulation Assy Do not drain oil with device under pressure.	Figure 1 [2]
Batteries  To be Re moved	Type:	Location
	Li-Ion Coin cell (1x) on CPU PCB	Figure 1 [3]
	Batteries in System: (1x) Li-Ion battery in power system	Figure 1 [4]
Hazardous  To be Removed	Substances:	Location
	Lead (Pb) - contains lead in PCB's, solder, wiring, and cables	N/A
	Mercury (Hg) – Video monitor lamps	N/A

Figure 1



Recycling Passport Revision History

Rev	Description	Date
A	Initial Release	April 23, 2014

*******End of Document*******