

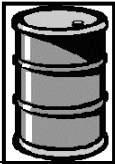



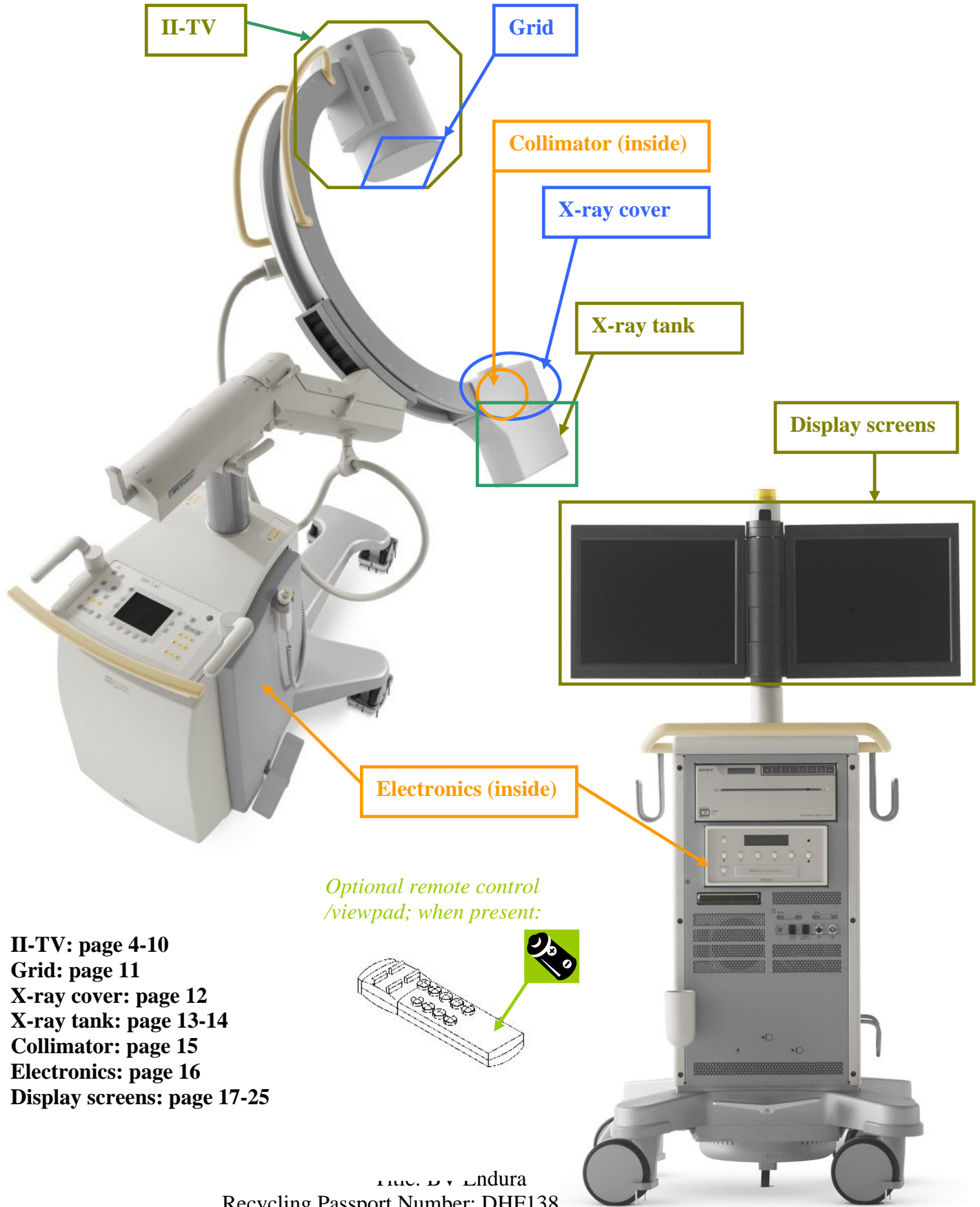


<b>Product name:</b>	<b>BV Endura</b>	
<b>Identification code</b>	<b>718 074</b>	
<b>Total weight (in Kg)</b>	<b>505 kg</b> (approximately; dependent on specific configuration)	
<b>Producer/ Manufacturer</b>	Name company:	Philips Medical Systems
	Address:	Veenpluis 6
	Zip code:	5684 PC Best
	Country:	Netherlands
	Electronic info:	<a href="http://staging.medical.philips.com/main/company/sustainability/recycling/">http://staging.medical.philips.com/main/company/sustainability/recycling/</a>

Recycle Info	Items:	Location
<b>Special attention</b>  	<ul style="list-style-type: none"> <li>Be aware of possibly contaminated system parts and materials! For dismantling activities Treatment Facilities must consider the national requirements. For personnel that can come into contact with contaminated material, preventive measures pursuant to national requirements must be taken into account</li> </ul>	System parts that were in the patient environment, and that were not disinfected
	<ul style="list-style-type: none"> <li>Removal of units / weights can cause the system to tilt!</li> </ul>	
	<ul style="list-style-type: none"> <li>Removal of units / weights can cause unexpected movements of guidances!</li> </ul>	
	<ul style="list-style-type: none"> <li>Release of brakes can cause unexpected movements of guidances! Brakes cannot prevent unexpected movements due to the removal of units /weights!</li> </ul>	
	<ul style="list-style-type: none"> <li>High-voltage parts (e.g. capacitors) are marked with </li> </ul>	
	<ul style="list-style-type: none"> <li>Before dismantling the vacuum II-Insert, drill a small hole to let air in the insert</li> </ul>	II-TV (page 4-10)
	<ul style="list-style-type: none"> <li>Vacuum glass tube of X-ray tank can implode!</li> </ul>	X-ray tank (page 13-14)
<b>Fluids / Gases</b>  	<b>Items:</b> <ul style="list-style-type: none"> <li>Transformer oil, type: Shell Diala</li> </ul>	X-ray tank (page 13-14)
<b>Batteries</b>    <b>To be Removed</b>	<b>Type:</b> <p>Battery, 4x alkaline 1,5V [44 grams] (when option “remote control/viewpad” is present)</p> <p>CR2032 3.0V Lithium coin cell of 3.2 gram (when option “Dell PC” is present)</p>	  Electronics (page 16)



<b>Hazardous</b>  <b>To be Removed</b>	<b>Substances:</b>	<b>Location</b>
	Lead (Pb) for X-ray shielding	II-TV (page 4-10) Grid (page 11) X-ray cover (page 12) X-ray tank (page 13-14) Collimator (page 15)
	Lead (Pb) for soldering	Electronics (page 16) Display screens (page 17-25)
	Cadmium (Cd) inside the II-Insert on the glass output window.	II-TV (page 4-10)
	Beryllium Copper (BeCu)	Electronics (page 16)
	Mercury (Hg) in switch on printed circuit board for systems delivered before September 2006	II-TV (page 4-10)
	Mercury (Hg) in specific LCD screens, when these LCD screens are present	LCD screens (page 17-25)

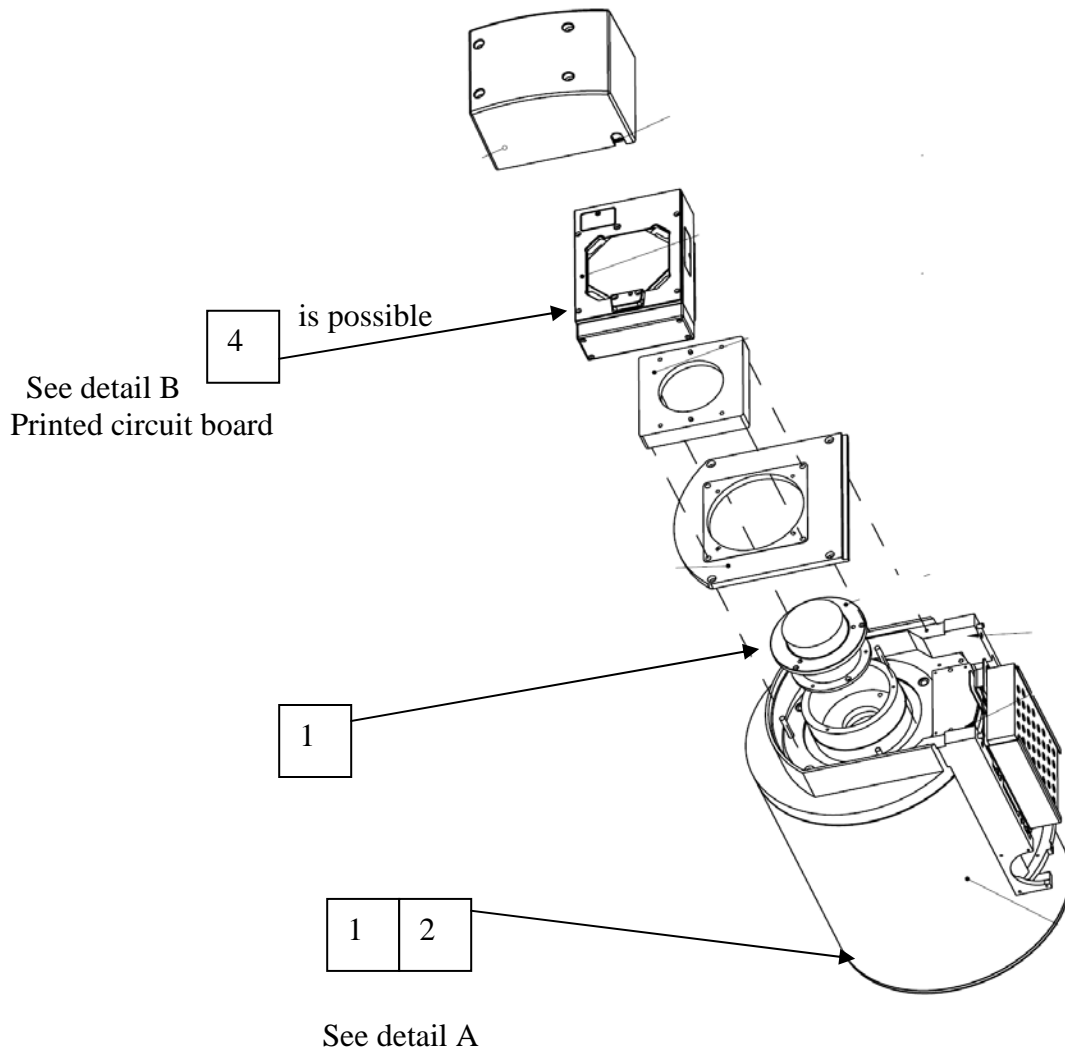
Note: to facilitate recycling, all plastic parts weighing > 50 grams are marked according to ISO11469 & ISO1043.

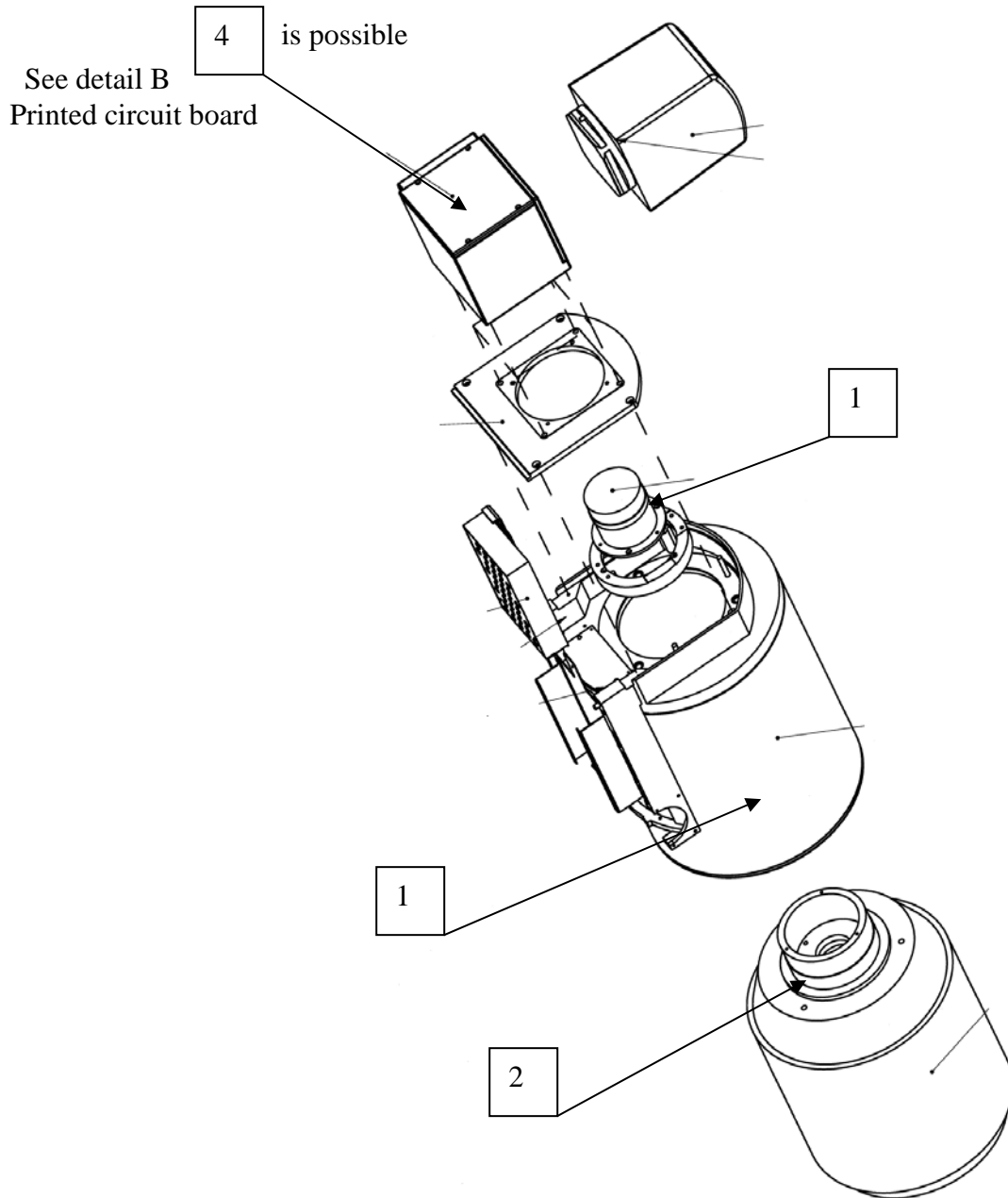


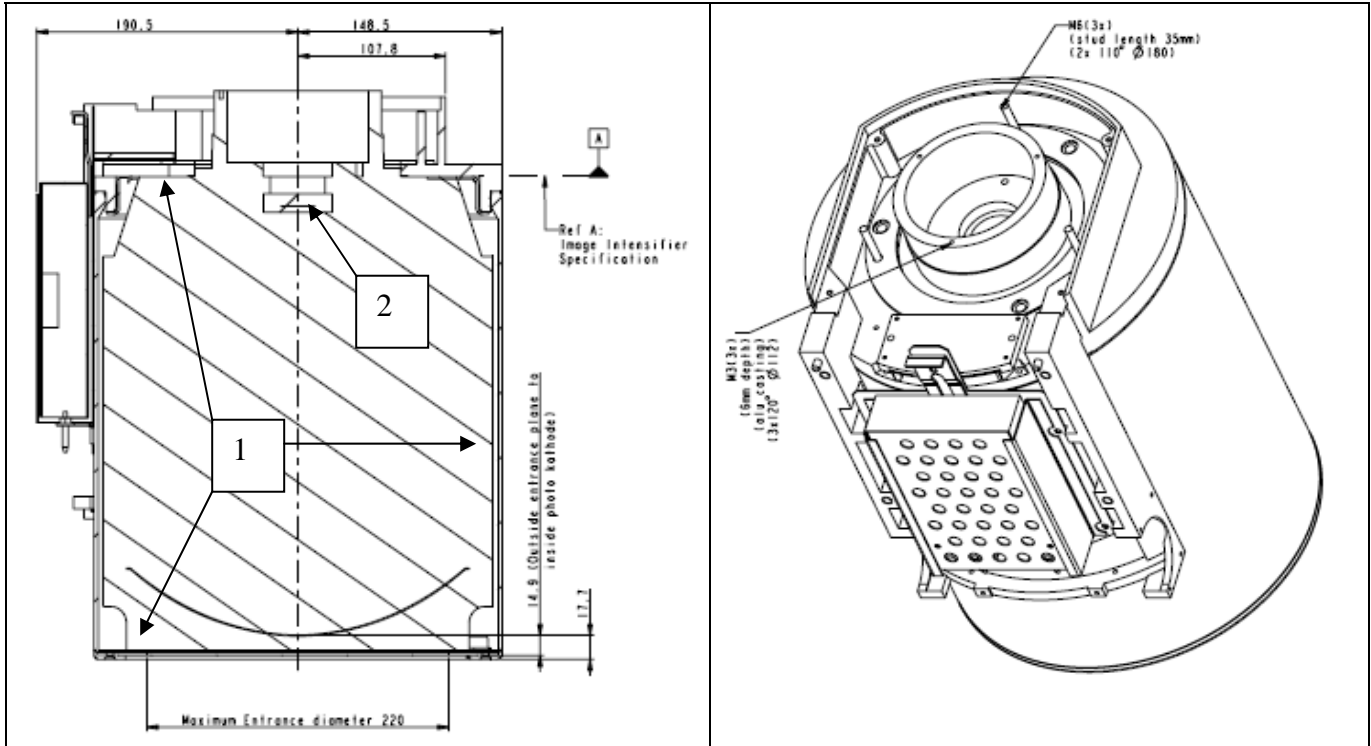
- II-TV: page 4-10**
- Grid: page 11**
- X-ray cover: page 12**
- X-ray tank: page 13-14**
- Collimator: page 15**
- Electronics: page 16**
- Display screens: page 17-25**

9" II-TV:

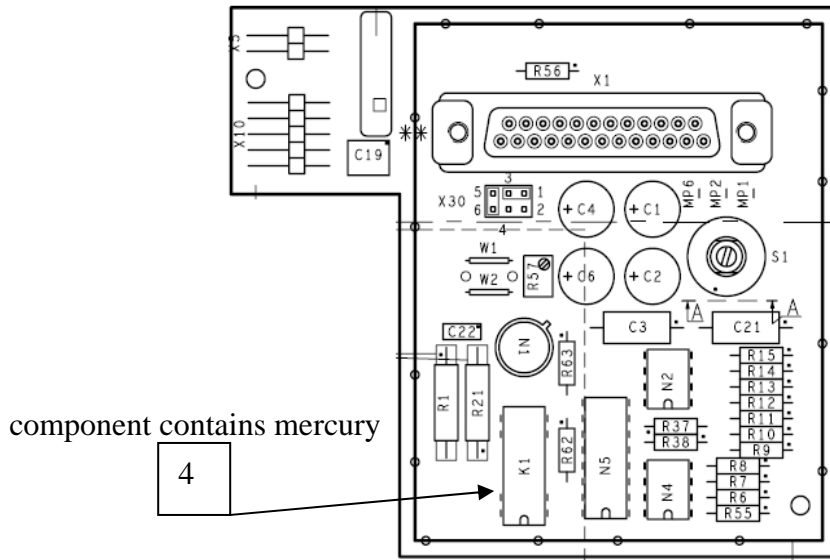
Recycle Info	Items:	Location
<b>Special attention</b> 	Before dismantling the vacuum II-Insert, drill a small hole to let air in the insert	
<b>Hazardous</b>  <b>To be Removed</b>	<b>Substances:</b>	<b>Location</b>
	Lead (Pb)	1, page 4-5
	Cadmium (Cd) inside the II-Insert on the glass output window.	2, page 4-5
	Mercury (Hg) in switch on printed circuit board for systems delivered before September 2006	4, page 4-5 + 7



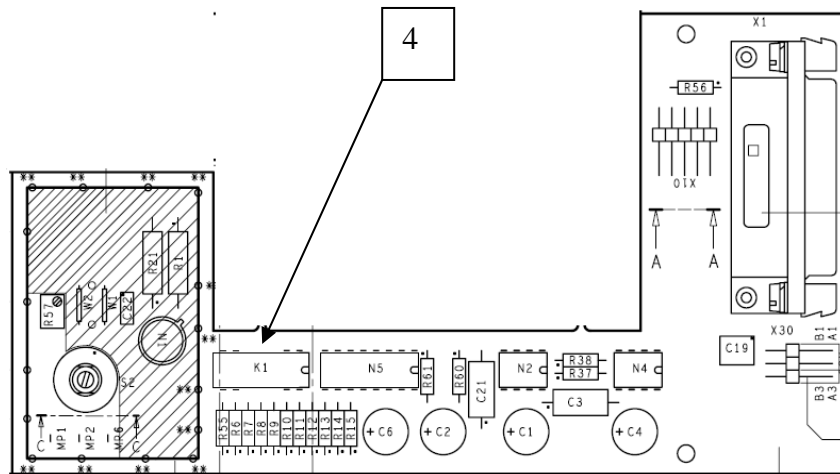




Detail A





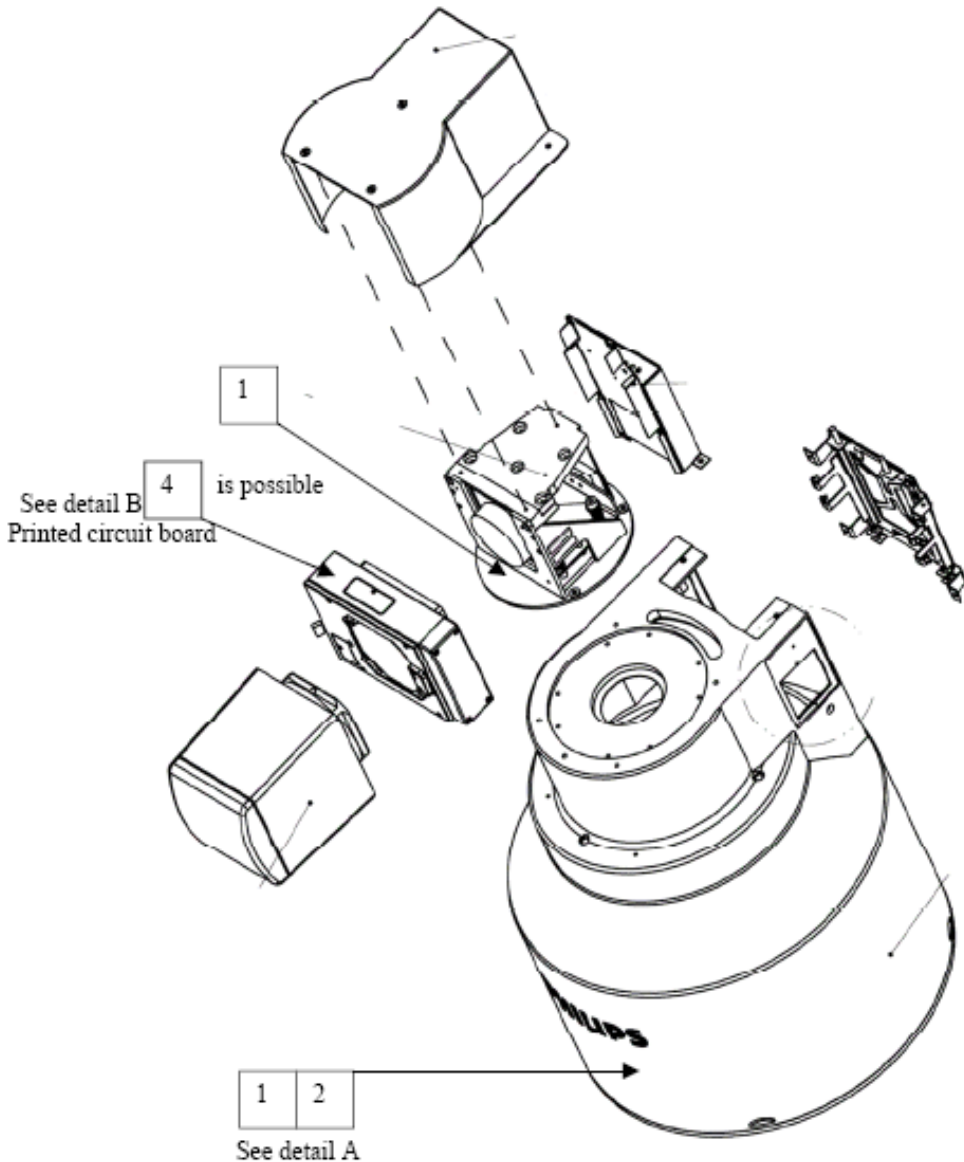
Detail B printed circuit board 4522 167 02681 up and including 4522 167 02687



Detail B printed circuit board 4522 167 02431 up and including 4522 167 02439

12" II-TV:

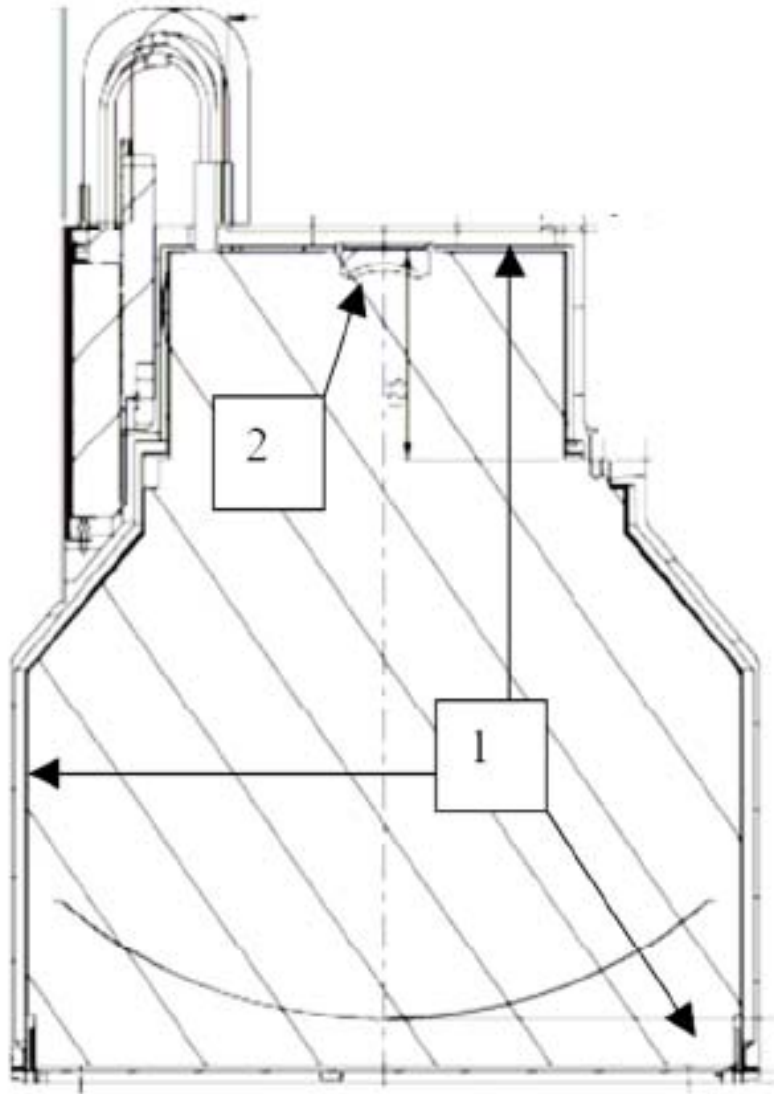
Recycle Info	Items:	Location
<b>Special attention</b> 	Before dismantling the vacuum II-Insert, drill a small hole to let air in the insert	
Hazardous	Substances:	Location
 <b>To be Removed</b>	Lead (Pb)	1, page 8-9
	Cadmium (Cd) inside the II-Insert on the glass output window.	2, page 8-9
	Mercury (Hg) in switch on printed circuit board for systems delivered before September 2006	4, page 8 + 10



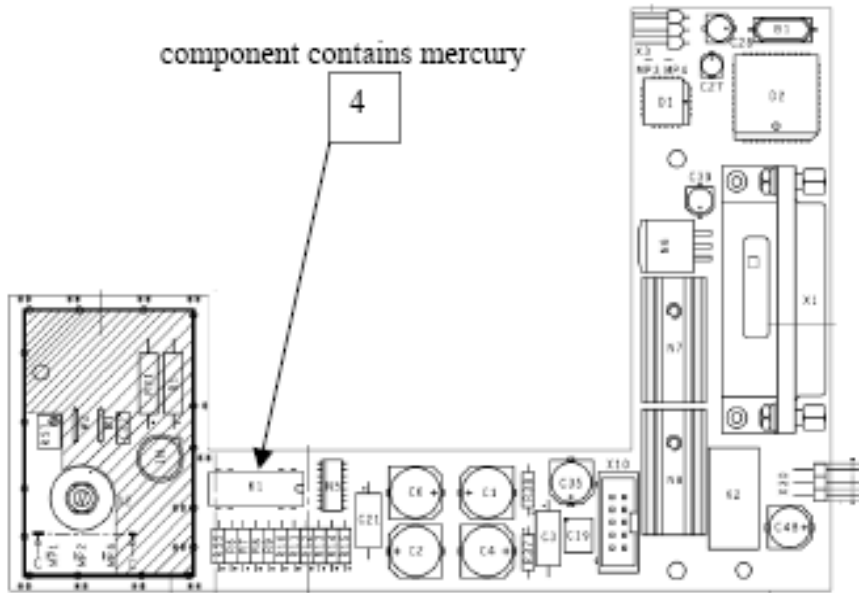
Recycling Passport Number: DHF138182 Rev: 00

**Copies are uncontrolled**

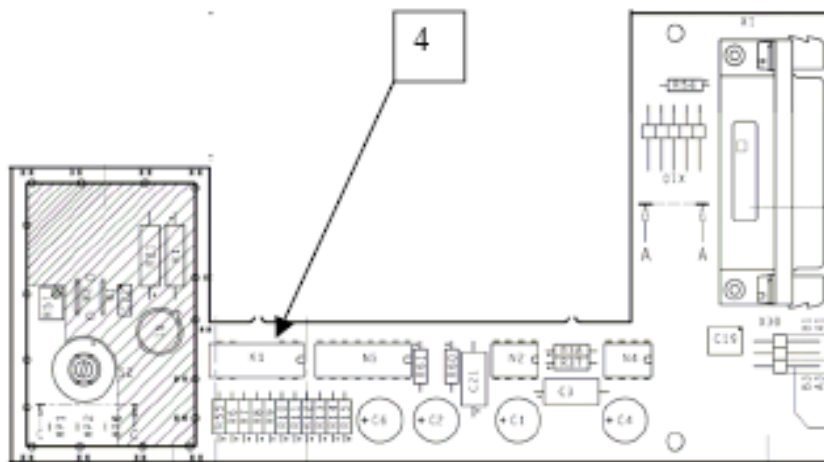




Detail A




Detail B printed circuit board 4522 167 03471 up and including 4522 167 03475



Detail B printed circuit board 4522 167 02431 up and including 4522 167 02439

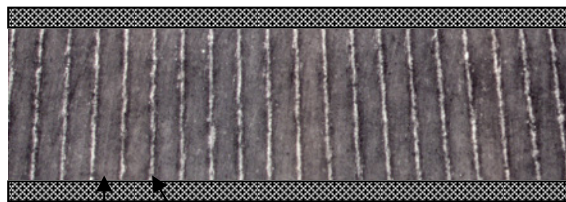
Grid:

<b>Hazardous</b>	<b>Substances:</b>	<b>Location</b>
 <b>To be Removed</b>	Lead (Pb 99,5%)	Enclosed between coverplates



*Example larger and smaller grid (only 1 present in system)*


**Cross-section of grid:**

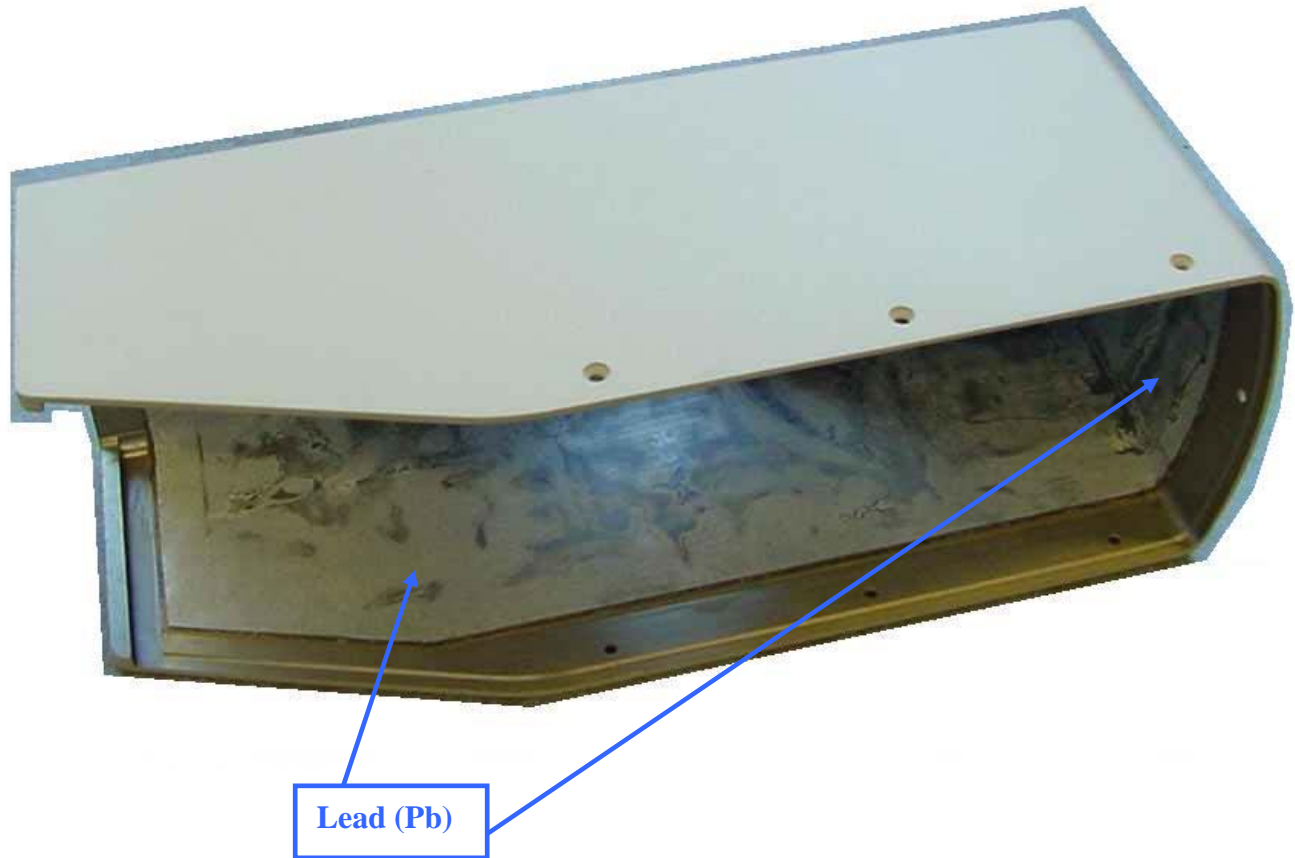


**Paper**  
**Interspace**  
**Material**


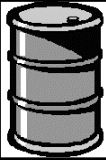

**Lead**

X-ray cover:

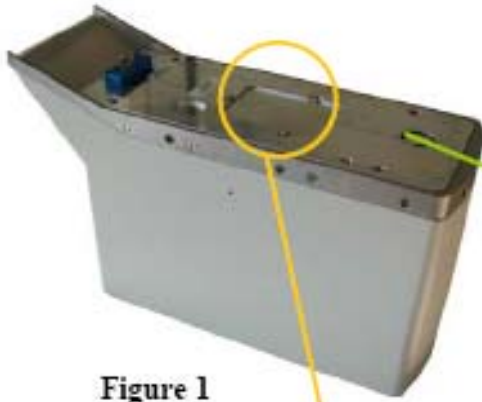
<b>Hazardous</b>	<b>Substances:</b>	<b>Location</b>
 <b>To be Removed</b>	Lead (Pb 99,5%)	Glued at inside; see photo below



**X-ray tank:**

<b>Recycle Info</b>	<b>Items:</b>	<b>Location</b>
<b>Special attention</b> 	<ul style="list-style-type: none"> <li>Vacuum glass tube of X-ray tank can implode!</li> </ul>	See next figure 3 (2)
<b>Fluids / Gases</b> 	<ul style="list-style-type: none"> <li>Transformer oil, type: Shell Diala (This HighVoltage-transformer oil contains no PCBs)</li> </ul>	See next figure 1 (1)
<b>Hazardous</b>  <b>To be Removed</b>	<b>Substances:</b> <ul style="list-style-type: none"> <li>Lead (Pb)</li> <li>Lead (Pb) / steel compound</li> <li>Lead (Pb) as x-ray shielding</li> <li>Lead (Pb) / steel compound</li> </ul>	<ul style="list-style-type: none"> <li>See next figure 2 (1)</li> <li>See next figure 2 (2)</li> <li>See next figure 3 (1)</li> <li>See next figure 4 (1)</li> </ul>

steel, iron	iron, low alloy (<5%)	0,56	KG
	iron, high alloy (>5%)	0,36	KG
<b>steel, iron</b>		<b>0,92</b>	<b>KG</b>
nonferrous metals and alloys	aluminum, -alloy	5,87	KG
	copper, -alloy	0,052	KG
<b>nonferrous metals and alloys</b>		<b>5,922</b>	<b>KG</b>
glass / ceramics	glass	0,005	KG
<b>glass / ceramics</b>		<b>0,005</b>	<b>KG</b>
plastics / organic substances	oil	3,5	KG
	elastomer	0,53	KG
	thermoset	0,26	KG
	thermoplastic	0,22	KG
<b>plastics / organic substances</b>		<b>4,51</b>	<b>KG</b>
standard parts	other electronic powered devices	0,912	KG
	X-ray tubes	0,502	KG
	mounting parts, attaching part	0,091	KG
	printed circuit boards	0,04	KG
<b>standard parts</b>		<b>1,545</b>	<b>KG</b>
relevant materials	lead and -compounds (cables and Printed Circuit Boards excepted)	0,907	KG
<b>relevant materials</b>		<b>0,907</b>	<b>KG</b>
<b>TOTAL:</b>		<b>13,809</b>	<b>KG</b>



1



Figure 1



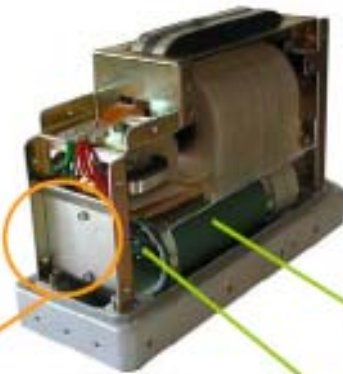
1



2



Figure 2



1



2



1



Figure 3




Figure 4

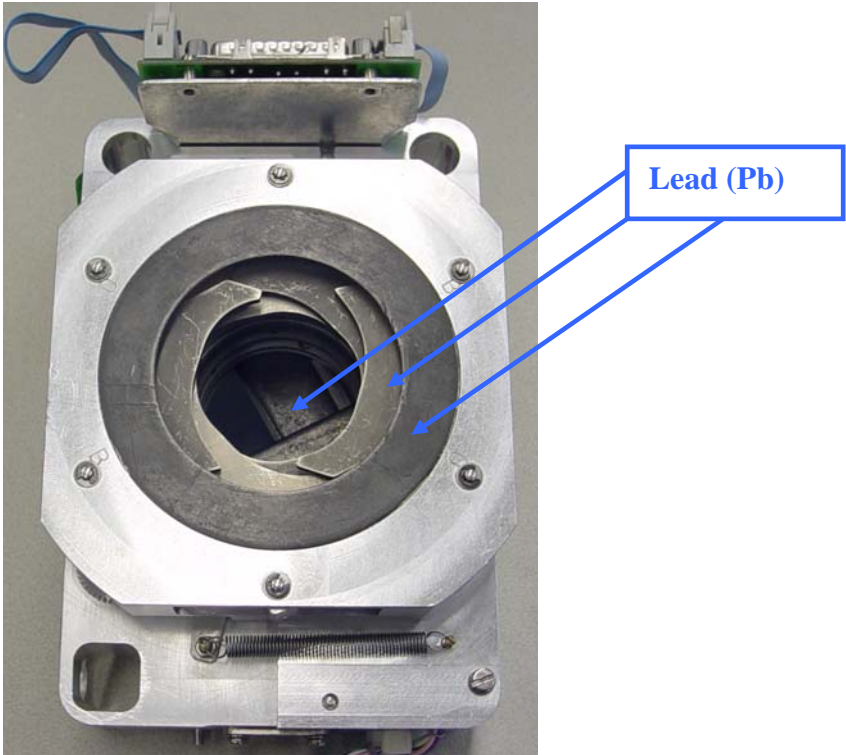
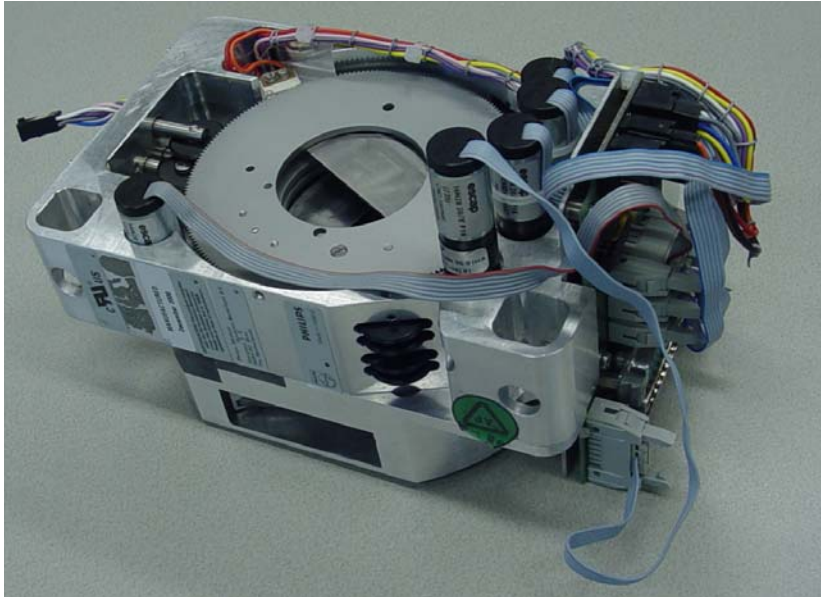
Title: BV Endura

Recycling Passport Number: DHF138182 Rev: 00



Copies are uncontrolled

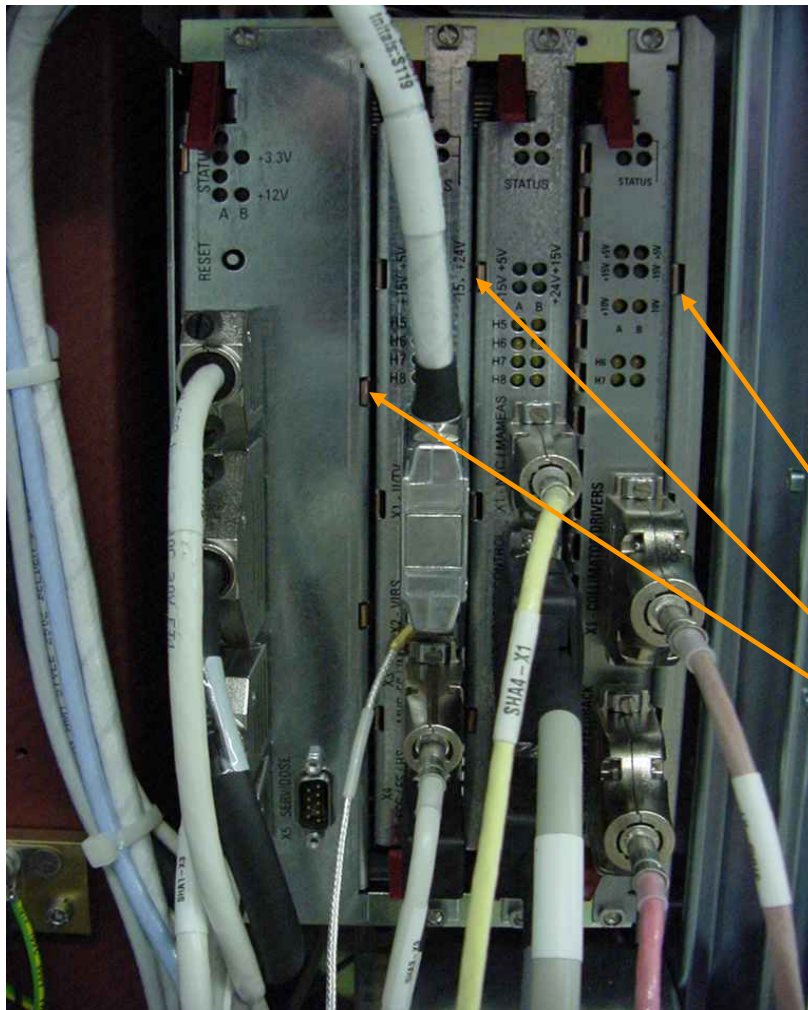
**Collimator:**

<b>Hazardous</b>	<b>Substances:</b>	<b>Location</b>
 <b>To be Removed</b>	Lead (Pb 99,5%); 0,42 kg	Ring of lead, lead on shutters and wedges; See photo below.



Electronics:

<b>Batteries</b>	<b>Type:</b>	<b>Location</b>
 <b>To be Removed</b>	CR2032 3.0V Lithium coin cell of 3.2 gram (when option “Dell PersonalComputer” [Philips-indication: Viewforum hardware] is present)	In Dell PC when present
<b>Hazardous</b>	<b>Substances:</b>	<b>Location</b>
 <b>To be Removed</b>	BerylliumCopper (BeCu)  Lead (Pb) is present in the soldering of PCBs	Contact springs between hardware-racks; see photo below.  PCBs (PrintedCircuitBoards)




BerylliumCopper (BeCu) contact springs



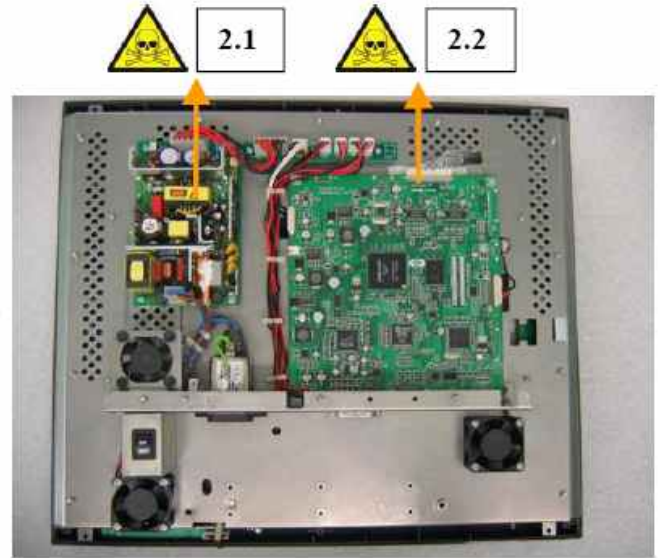
Display screens:

**FOLLOWING PAGES PROVIDE INFORMATION ON VARIOUS SCREENS POSSIBLY PRESENT IN THE SYSTEM.**

LCD screen FIMI MCL180-L / 9919-320-5089x | PAGE 1 of 2


<b>Hazardous</b>  <b>To be Removed</b>	<b>Substances:</b>		<b>Location</b>
	<i>Type</i>	<i>Quantity</i>	
	Cd	0	
	Hg	21 mg max. (*)	Next figure (1)
	Pb	Lead is present in the soldering process of PCBs	Next figure (2.x)
	Cr <sup>6+</sup>	0	
	PBB	0	
	PBDE	0	
	(*) Mercury is present in Backlight lamps: 3.5mg x 6 lamps		

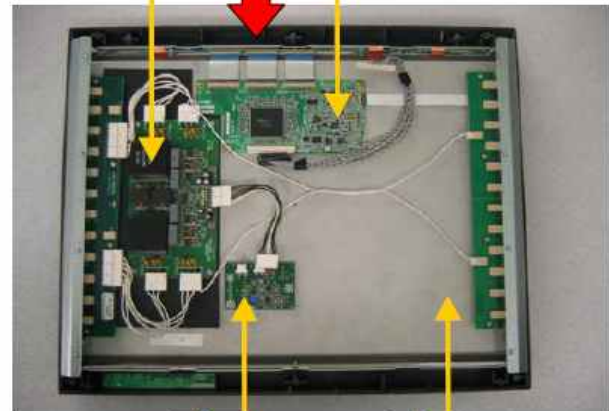
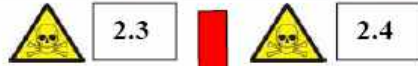
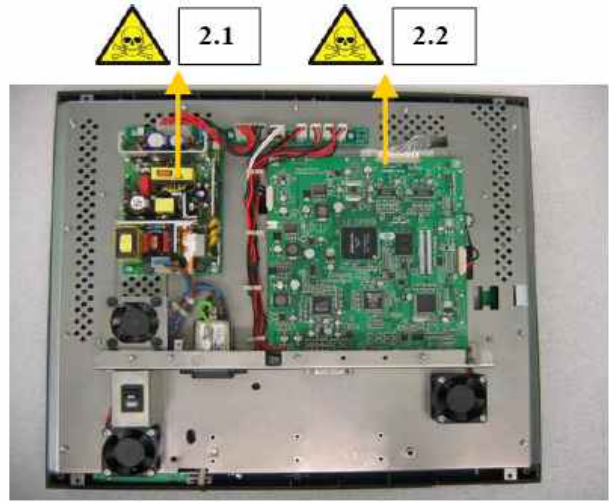
LCD screen FIMI MCL180-L / 9919-320-5089x | PAGE 2 of 2



<b>Material</b>		
<b>Fe</b>	6.0 kg	(3.4 kg in the pedestal)
<b>Al</b>	0	-
<b>Cu</b>	0.1 kg	Cables
<b>Plastics</b>	1.5 kg	(0.4 kg in the pedestal)
<b>Boards (S<sup>2</sup> &gt; 10cm<sup>2</sup>)</b>	96 cm <sup>2</sup> / 260 g 320 cm <sup>2</sup> / 230 g 144 cm <sup>2</sup> / 66 g 72 cm <sup>2</sup> / 54 g	S.M.P.S. (item 2.1 in the picture) Logic Board (item 2.2 in the picture) Inverter (item 2.3 in the picture) LCD Driver (item 2.4 in the picture)
<b>CD</b>	3 kg	18"


LCD screen FIMI MCL180-HB / 9919-320-5088x

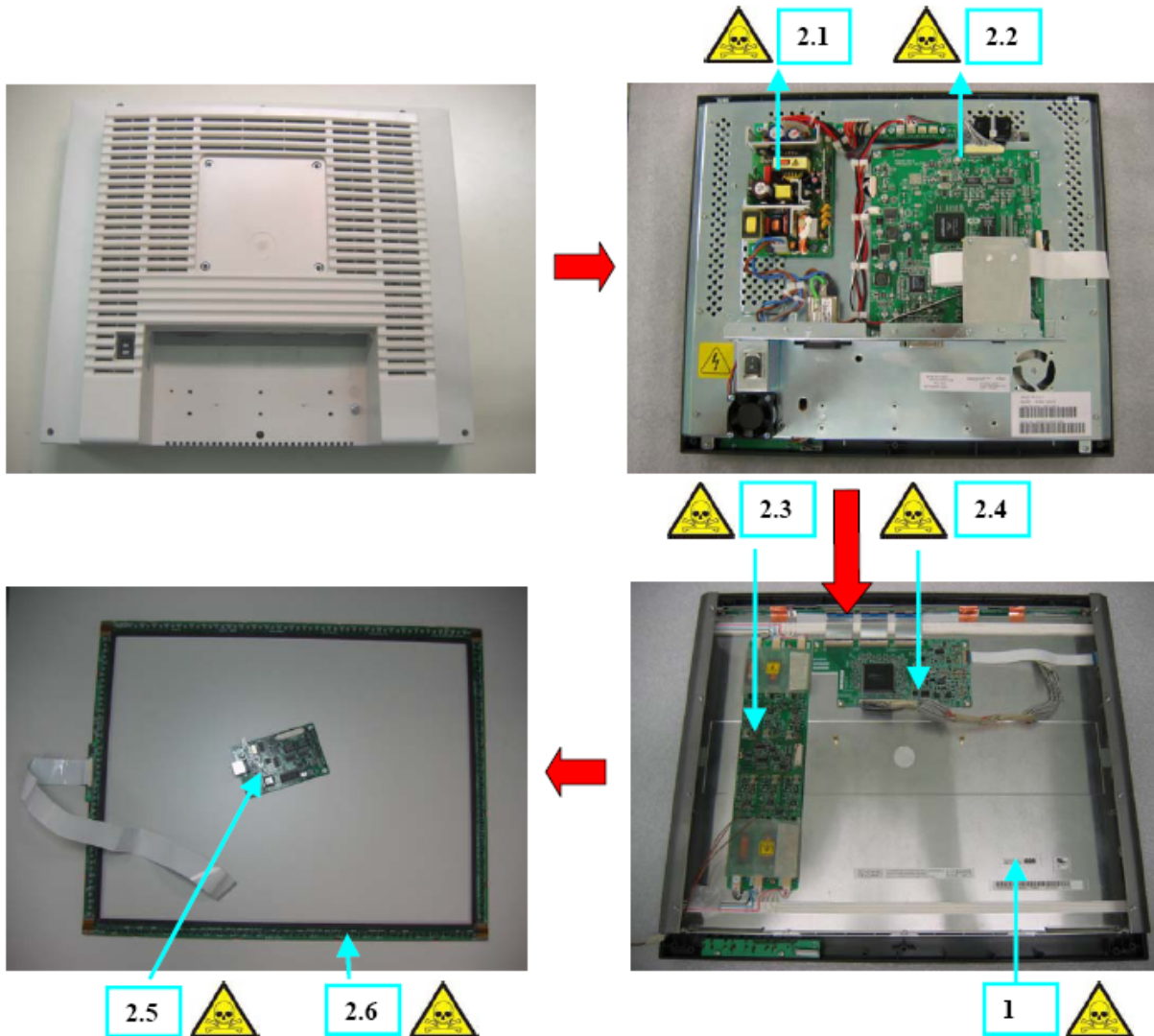
<b>Hazardous</b>  <b>To be Removed</b>	<b>Substances:</b>		<b>Location</b>
	<i>Type</i>	<i>Quantity</i>	
	Cd	0	
	Hg	36 mg max. (*)	Figure below (1)
	Pb	Lead is present in the soldering process of PCBs	Figure below (2.x)
	Cr <sup>6+</sup>	0	
	PBB	0	
	PBDE	0	
	(*) Mercury is present in Backlight lamps: 3mg x 12 lamps		



<b>Material</b>		
Fe	2.3 kg	-
Al	0	-
Cu	0.1 kg	Cables
Plastics	1 kg	-
Boards (S <sup>2</sup> > 10cm <sup>2</sup> )	96 cm <sup>2</sup> / 260 g	S.M.P.S. (item 2.1 in the picture)
	320 cm <sup>2</sup> / 230 g	Logic Board (item 2.2 in the picture)
	80 cm <sup>2</sup> / 180 g	Inverter (item 2.3 in the picture)
	100 cm <sup>2</sup> / 50 g	LCD Driver (item 2.4 in the picture)
	46 cm <sup>2</sup> / 40 g	PCB Backlight Stabilization (item 2.5 in the picture)
LCD	2.7 kg	18"

**LCD screen FIMI MCL180-LT / 9919-320-5092x**


<b>Hazardous</b>  <b>To be Removed</b>	<b>Substances:</b>		<b>Location</b>
	Type	Quantity	
	Cd	0	
	Hg	21mg max. (*)	Next figure (1)
	Pb	Lead is present in the soldering process of PCBs	Next figure (2.x)
	Cr <sup>6+</sup>	0	
	PBB	0	
	PBDE	0	
(*) Mercury is present in Backlight lamps: 3.5mg x 6 lamps			

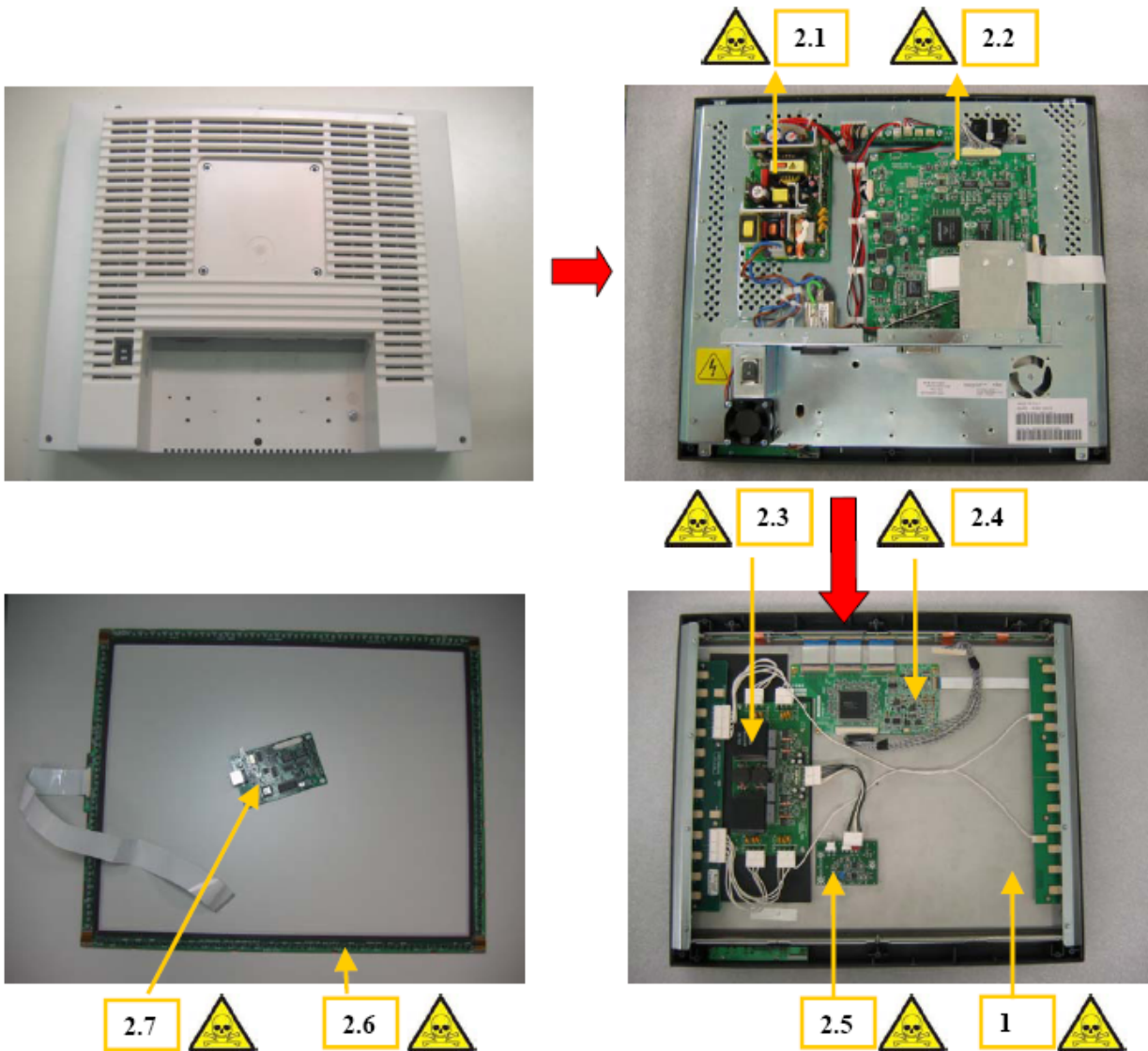


Material		
Fe	2.3 kg	-
Al	0	-
Cu	0.2 kg	Cables
Plastics	1 kg	-
Boards (S <sup>2</sup> > 10cm <sup>2</sup> )	96 cm <sup>2</sup> / 260 g 320 cm <sup>2</sup> / 230 g 80 cm <sup>2</sup> / 180 g 100 cm <sup>2</sup> / 50 g 71 cm <sup>2</sup> / 80 g 40 cm <sup>2</sup> / 50 g	S.M.P.S. (item 2.1 in the picture) Logic Board (item 2.2 in the picture) Inverter (item 2.3 in the picture) LCD Driver (item 2.4 in the picture) PCB Touch-Screen controller (item 2.5 in the picture) PCB Touch-Screen (item 2.6 in the picture)
LCD	2.7 kg	18"

Title: B  
Recycling Passport Num  
Copies are


LCD screen FIMI MCL180-HBT / 9919-320-5091x

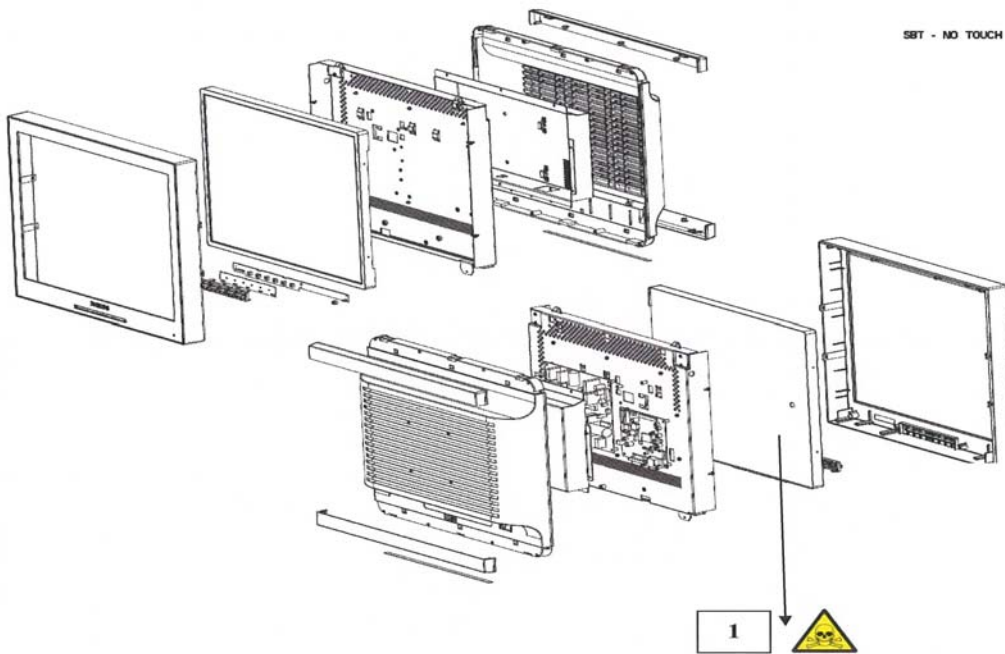
Hazardous  To be Removed	Substances:		Location
	Type	Quantity	
	Cd	0	
	Hg	36 mg max. (*)	Next figure (1)
	Pb	Lead is present in the soldering process of PCBs	Next figure (2.x)
	Cr <sup>6+</sup>	0	
	PBB	0	
	PBDE	0	
	(*) Mercury is present in Backlight lamps: 3 mg x 12 lamps		



Material		
Fe	2.3 kg	-
Al	0	-
Cu	0.2 kg	Cables
Plastics	1 kg	-
Boards (S <sup>2</sup> > 10cm <sup>2</sup> )	96 cm <sup>2</sup> / 260 g	S.M.P.S. (item 2.1 in the picture)
	320 cm <sup>2</sup> / 230 g	Logic Board (item 2.2 in the picture)
	80 cm <sup>2</sup> / 180 g	Inverter (item 2.3 in the picture)
	100 cm <sup>2</sup> / 50 g	LCD Driver (item 2.4 in the picture)
	46 cm <sup>2</sup> / 40 g	PCB Backlight Stabilization (item 2.5 in the picture)
	71 cm <sup>2</sup> / 80 g	PCB Touch-Screen controller (item 2.6 in the picture)
	40 cm <sup>2</sup> / 50 g	PCB Touch-Screen (item 2.7 in the picture)
LCD	2.7 kg	18"


**LCD screen FIMI MCL190-SB/ 9919-322-5204x**

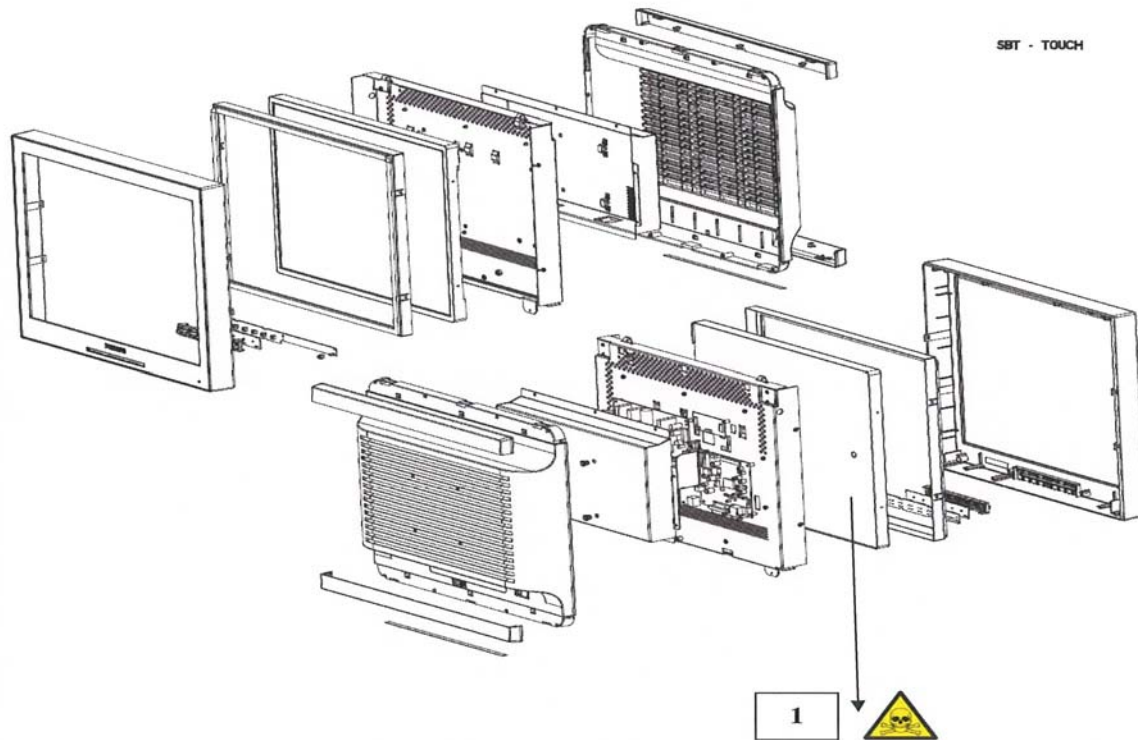
<b>Hazardous</b>  <b>To be Removed</b>	<b>Substances:</b>		<b>Location</b>
	<b>Type</b>	<b>Quantity</b>	
	Cd	RoHS compliant	
	Hg	RoHS compliant (*)	Figure below (item 1)
	Pb	RoHS compliant	
	Cr <sup>6+</sup>	RoHS compliant	
	PBB	RoHS compliant	
	PBDE	RoHS compliant	
	(*) Mercury is present in backlight lamps: 2.5mg x 4 lamps = 10mg		



<b>Material</b>		
<b>Fe</b>	1000 g	Mechanical Chassis
<b>Al</b>	680 g	Mechanical Chassis
<b>Cu</b>	50 g	Cables
<b>Plastics</b>	1285 g	Enclosure
<b>Boards (S<sup>2</sup> &gt; 10cm<sup>2</sup>)</b>	247 cm <sup>2</sup> / 280 g	S.M.P.S.
	110 cm <sup>2</sup> / 76 g	Mother Board
	48 cm <sup>2</sup> / 20 g	Keyboard
<b>LCD</b>	3030 g	19" LCD Panel


LCD screen FIMI MCL190-SBT/ 9919-322-5205x

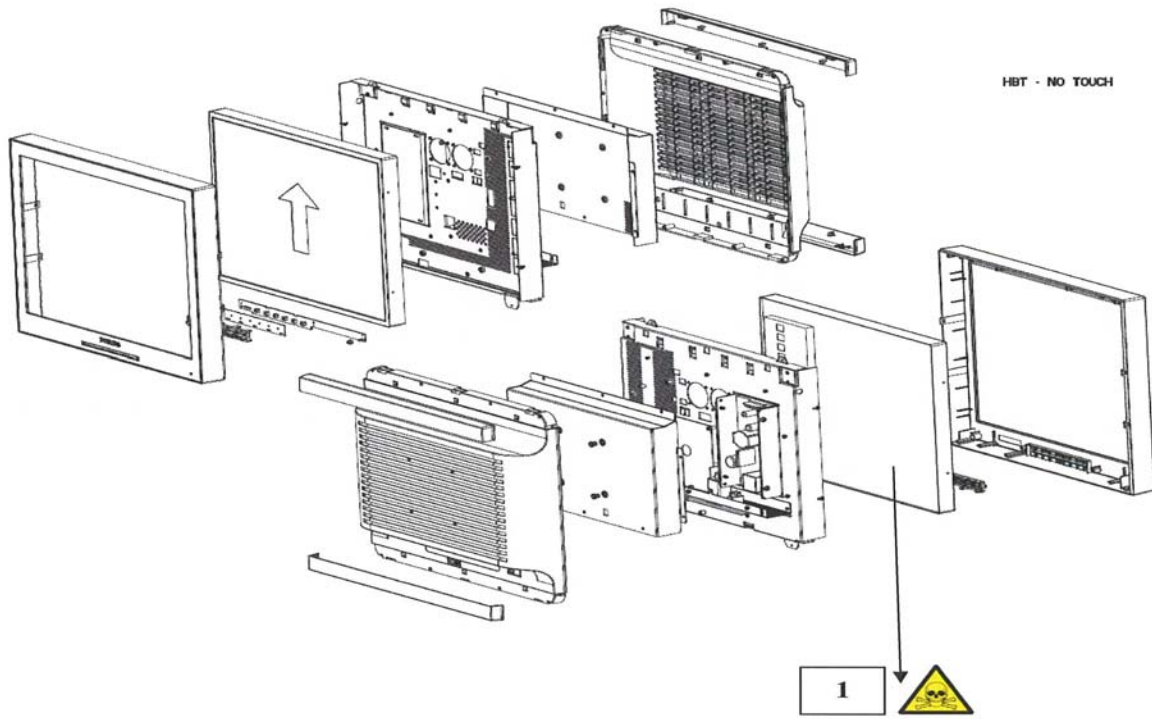
<b>Hazardous</b>  <b>To be Removed</b>	<b>Substances:</b>		<b>Location</b>
	<b>Type</b>	<b>Quantity</b>	
	Cd	RoHS compliant	
	Hg	RoHS compliant (*)	Figure below (item 1)
	Pb	RoHS compliant	
	Cr <sup>6+</sup>	RoHS compliant	
	PBB	RoHS compliant	
	PBDE	RoHS compliant	
	(*) Mercury is present in backlight lamps: 2.5mg x 4 lamps = 10mg		



<b>Material</b>		
<b>Fe</b>	1000 g	Mechanical Chassis
<b>Al</b>	1080 g	Mechanical Chassis
<b>Cu</b>	50 g	Cables
<b>Plastics</b>	1285 g	Enclosure
<b>Boards (S<sup>2</sup> &gt; 10cm<sup>2</sup>)</b>	247 cm <sup>2</sup> / 280 g	S.M.P.S.
	110 cm <sup>2</sup> / 76 g	Mother Board
	48 cm <sup>2</sup> / 20 g	Keyboard
	10.5 cm <sup>2</sup> / 10g	USB Interface
	21 cm <sup>2</sup> / 20g	Touch Controller
<b>LCD</b>	3030 g	19" LCD Panel

LCD screen FIMI MCL190-HB/ 9919-322-5206x


<b>Hazardous</b>  <b>To be Removed</b>	Substances:		Location
	Type	Quantity	
	Cd	RoHS compliant	
	Hg	RoHS compliant (*)	Figure below (item 1)
	Pb	RoHS compliant	
	Cr <sup>6+</sup>	RoHS compliant	
	PBB	RoHS compliant	
	PBDE	RoHS compliant	
(*) Mercury is present in backlight lamps: 2.5mg x 14 lamps = 35mg			

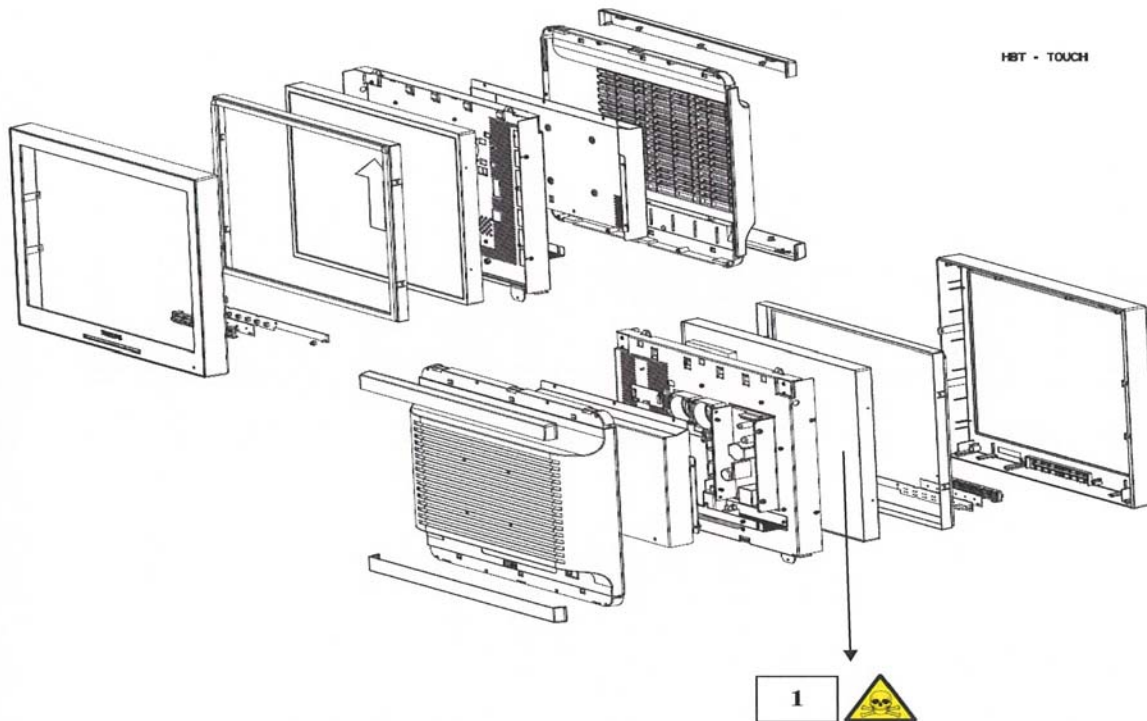


Material		
<b>Fe</b>	1425 g	Mechanical Chassis
<b>Al</b>	657 g	Mechanical Chassis
<b>Cu</b>	55 g	Cables
<b>Plastics</b>	1225 g	Enclosure
<b>Boards (S<sup>2</sup> &gt; 10cm<sup>2</sup>)</b>	161 cm <sup>2</sup> / 512 g	S.M.P.S.
	201 cm <sup>2</sup> / 115 g	Mother Board
	48 cm <sup>2</sup> / 48 g	Keyboard
	270 cm <sup>2</sup> / 100g	Inverter
	60 g	Miscellaneous
<b>LCD</b>	1700 g	19" LCD Panel



LCD screen FIMI MCL190-HBT/ 9919-322-5207x

<b>Hazardous</b>  <b>To be Removed</b>	Substances:		Location
	Type	Quantity	
	Cd	RoHS compliant	
	Hg	RoHS compliant (*)	Figure below (item 1)
	Pb	RoHS compliant	
	Ci <sup>6+</sup>	RoHS compliant	
	PBB	RoHS compliant	
	PBDE	RoHS compliant	
(*) Mercury is present in backlight lamps: 2.5mg x 14 lamps = 35mg			



Material		
<b>Fe</b>	1425 g	Mechanical Chassis
<b>Al</b>	957 g	Mechanical Chassis
<b>Cu</b>	55 g	Cables
<b>Plastics</b>	1400 g	Enclosure
<b>Boards (S<sup>2</sup> &gt; 10cm<sup>2</sup>)</b>	161 cm <sup>2</sup> / 512 g	S.M.P.S.
	201 cm <sup>2</sup> / 115 g	Mother Board
	48 cm <sup>2</sup> / 48 g	Keyboard
	270 cm <sup>2</sup> / 100g	Inverter
	10.5 cm <sup>2</sup> / 10g	USB Interface
	21 cm <sup>2</sup> / 20g	Touch Controller
	60 g	Miscellaneous
<b>LCD</b>	1700 g	19" LCD Panel