
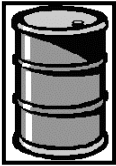




Philips Medical Systems/Product Recycling Passport

Product name:	CareNet Controller	
Identification code(s)	78581B	
Total weight (in Kg)	1.9	
Producer/ Manufacturer	Name company:	Philips Medical Systems
	Address:	3000 Minuteman Road, Andover, MA
	Zip code:	01810
	Country:	USA

Recycle Info	Items:	Location
Special attention 	Ensure that the power is removed by disconnecting the power cord from the mains supply prior to disassembly. Remove the top cover. Remove the Universal Power Converter from the unit.	Figure 1 Figure 2
Fluids / Gases 	Items:	Location
	Not Applicable	
Batteries 	Type:	Location
	Not Applicable	
To be Removed		
Hazardous 	Substances:	Location
	Printed circuit board, lead solder (Pb)	Figure 2 Figure 3
To be Removed		

Printed copies are uncontrolled

Philips Medical Systems/Product Recycling Passport

Printed copies are uncontrolled



Figure 1

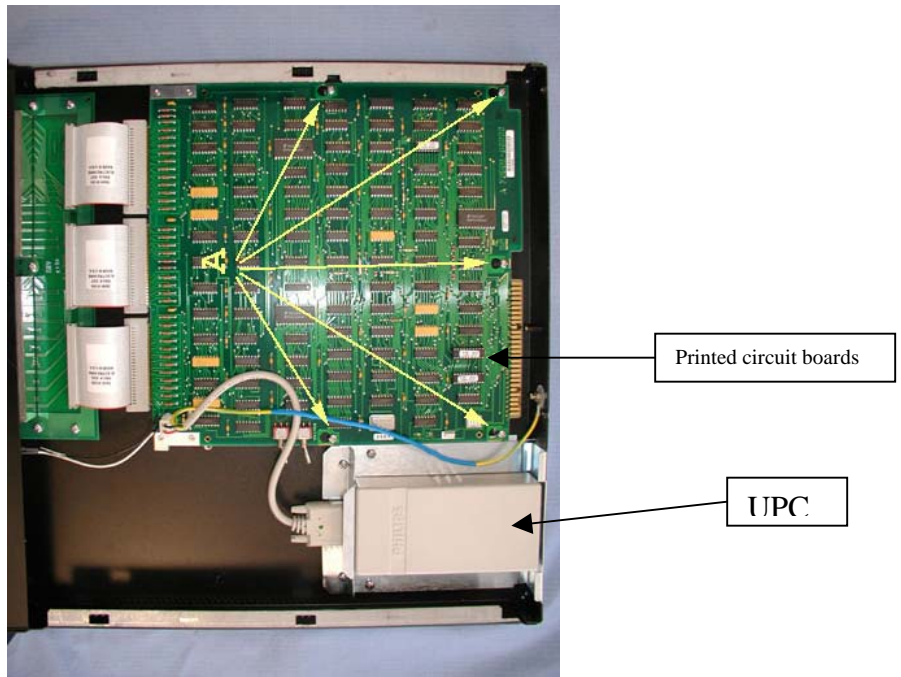


Figure 2

Title: 78581B CareNet Controller Recycling Passport
Recycling Passport Number: A-78581-90015 Rev: A

Philips Medical Systems/Product Recycling Passport

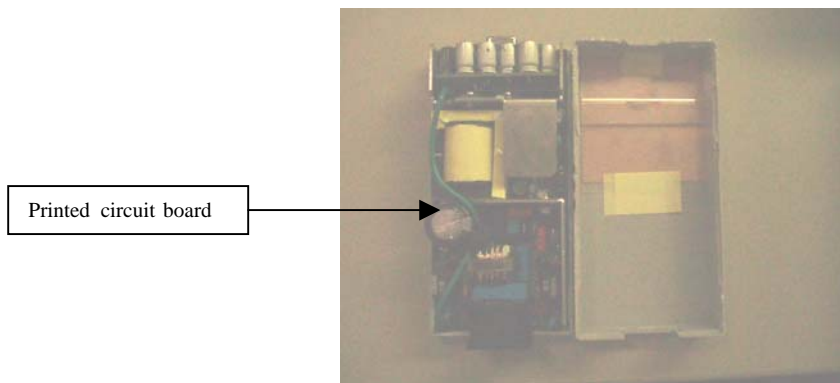


Figure 3

Printed copies are uncontrolled