

<b>Product name:</b>	IntelliVue CL Hotspot	
<b>Identification code(s)</b>	865222	
<b>Total weight (in Kg)</b>	0.4 kg	
<b>Producer/ Manufacturer</b>	<b>Name company:</b>	Philips Medizin Systeme Böblingen GmbH
	<b>Address:</b>	Hewlett-Packard-Str.2
	<b>Zip code:</b>	71034 Böblingen
	<b>Country:</b>	Germany


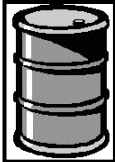


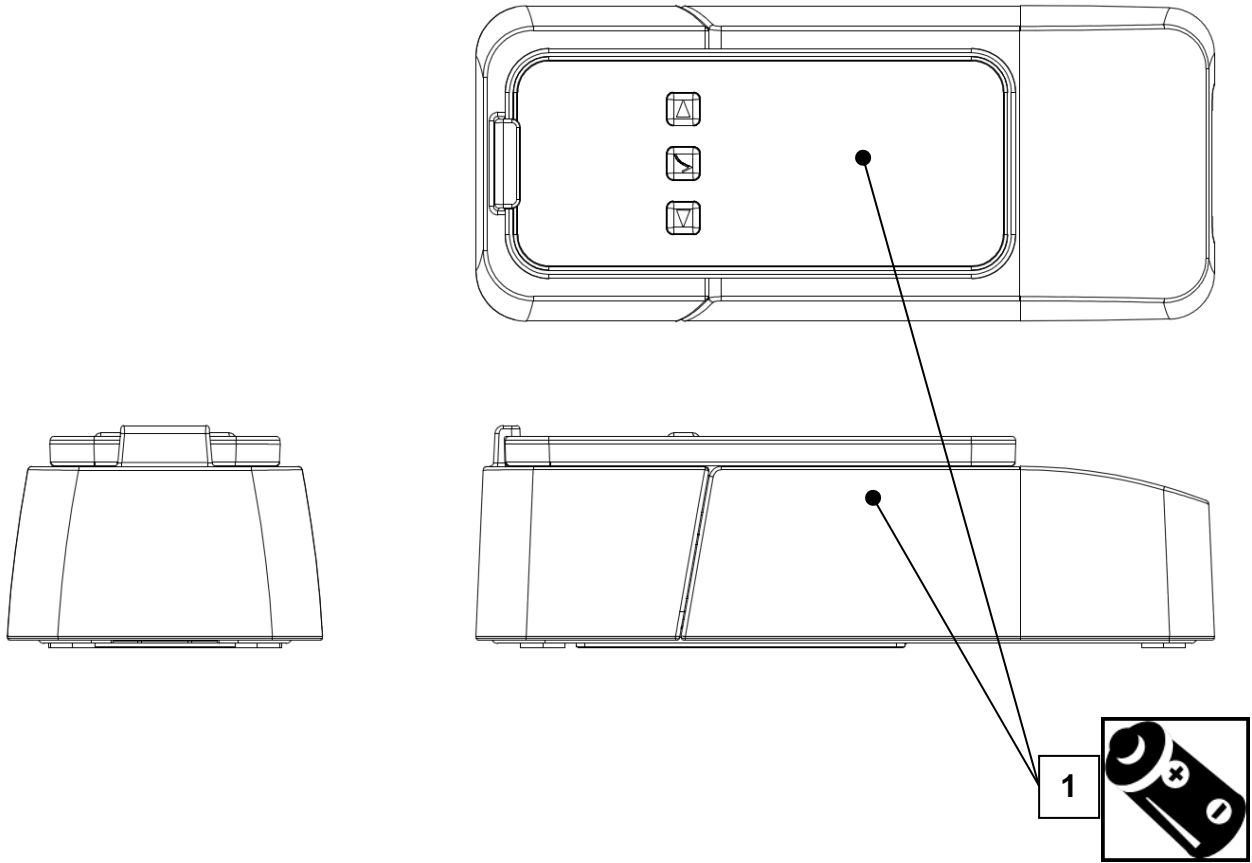
Recycle Info	Items:	Location
<b>Special attention</b> 		
 <b>Fluids / Gases</b>		
<b>Batteries</b>  <b>To be Removed</b>	<b>Type:</b> Lithium Ion battery 1x	<b>Location</b> Figure 1 [1]
<b>Hazardous</b>  <b>To be Removed</b>		

Figure 1



**Recycling Passport Revision History**

Rev	Description	Date
A	As issued	30-Jan-2015