

Product name:	IntelliVue CL Transmitter	
Identification code(s)	865221	
Total weight (in Kg)	0.2 kg	
Producer/ Manufacturer	Name company:	Philips Medizin Systeme Böblingen GmbH
	Address:	Hewlett-Packard-Str.2
	Zip code:	71034 Böblingen
	Country:	Germany


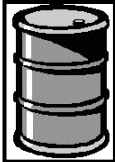


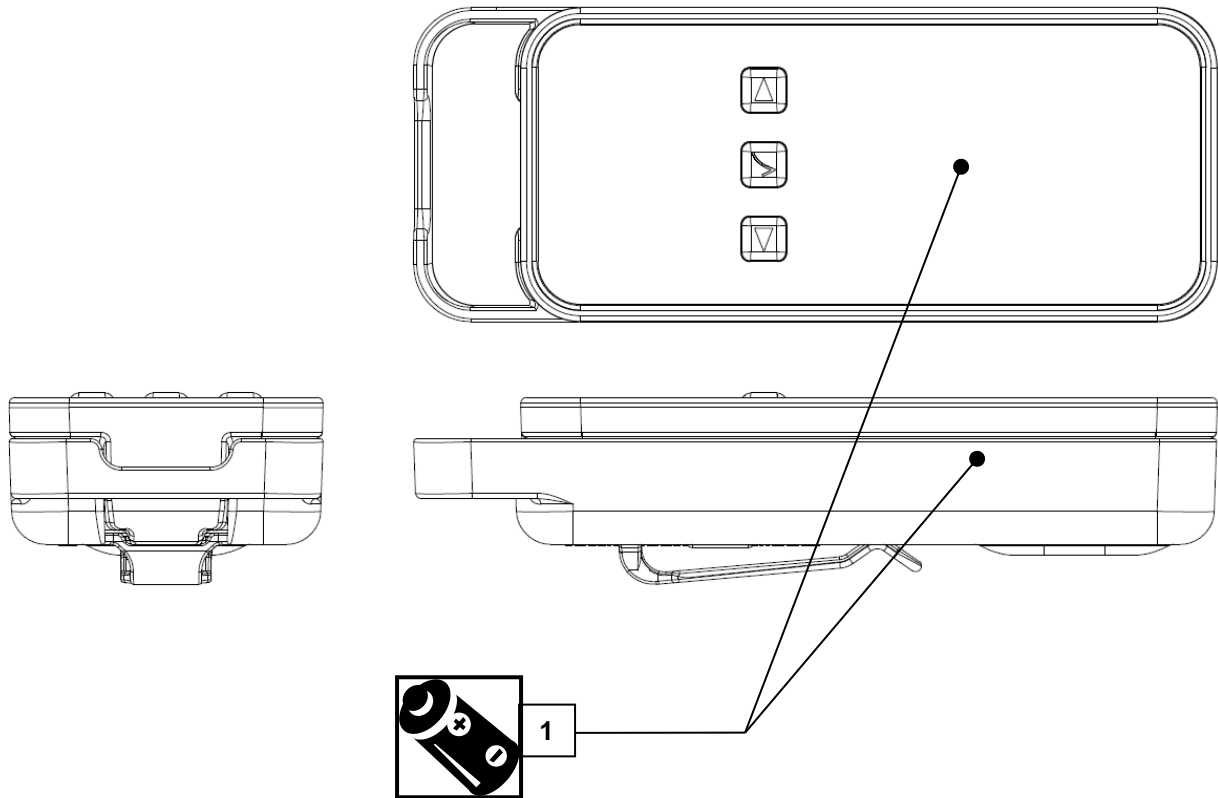
Recycle Info	Items:	Location
Special attention 		
 Fluids / Gases		
Batteries  To be Removed	Type: Lithium Ion battery 1x	Location Figure 1 [1]
Hazardous  To be Removed	Substances:	Location

Figure 1



Recycling Passport Revision History

Rev	Description	Date
A	As issued	30-Jan-2015