



Single button - two systems

Philips DuoDiagnost Free-arm radiography and fluoroscopy system

PHILIPS

High flexibility for



DuoDiagnost offers

Two-in-one

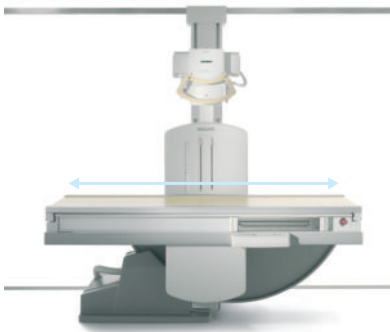
At the mere touch of a button the DuoDiagnost is transformed from a universal radiography unit into a remote-controlled fluoroscopy system: a progressive two-in-one solution combining all major functions of Bucky and fluoroscopy systems.

Field-tested reliability

A large installed base reflects the high standard set by the DuoDiagnost as well as the high level of system reliability.

exceptional efficiency

Whatever your exam mix might be, DuoDiagnost's smart combination of radiography and fluoroscopy in one system provides you with comprehensive clinical functionality in a cost-effective package.



Complete scanning range without moving the patient on the table

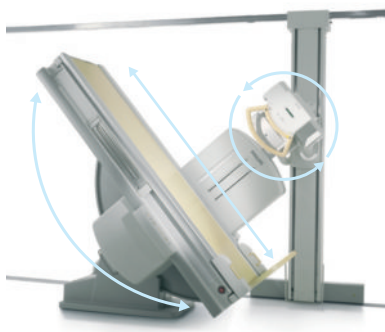
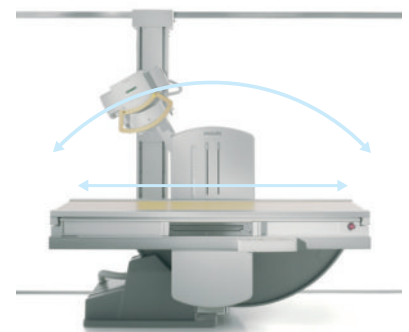


Table tiltable from +90° to -15° Trendelenburg for all standard barium and iodine contrast studies



Oblique angles possible in all table positions to avoid superimposition of structures over the region of interest

Digital options

Digital imaging is a proven technology and the cornerstone of today's radiology practice. DuoDiagnost embraces this development by offering digital and digitally prepared versions. The advantages of digital technology are simple: savings in time, money and dose.

Philips standards

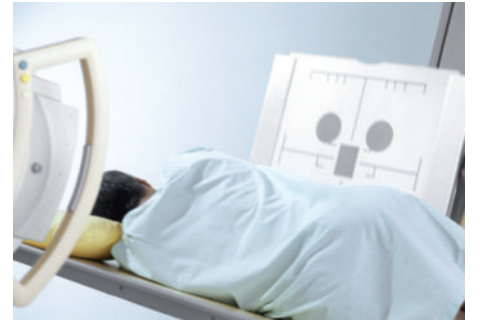
Philips stands for quality and reliability backed up by worldwide customer support and service. A commitment which means unbeatable value for money.



Free-arm design facilitates quick and easy positioning for bed examinations

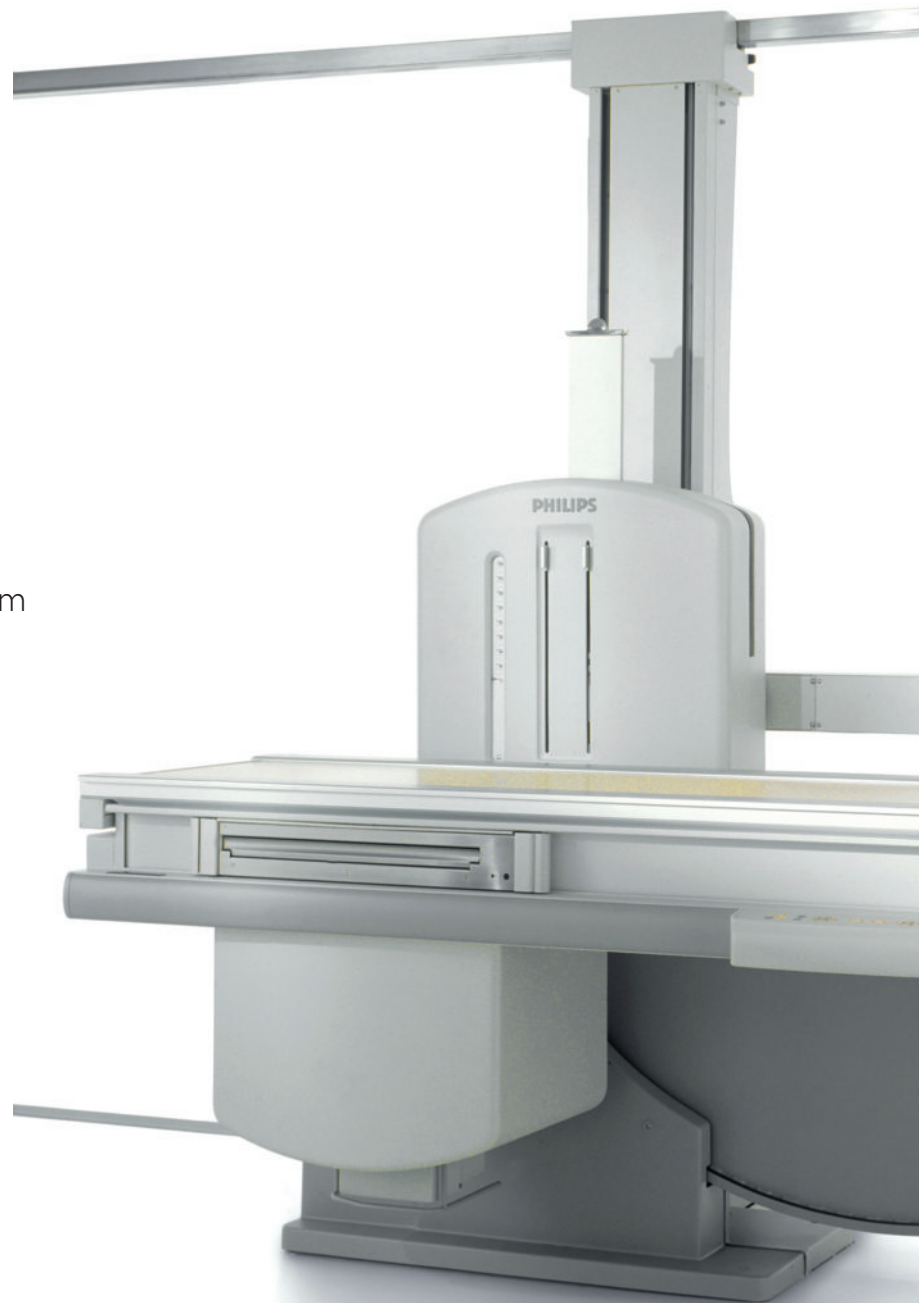


Thorax examinations with flexible SID in decoupled mode



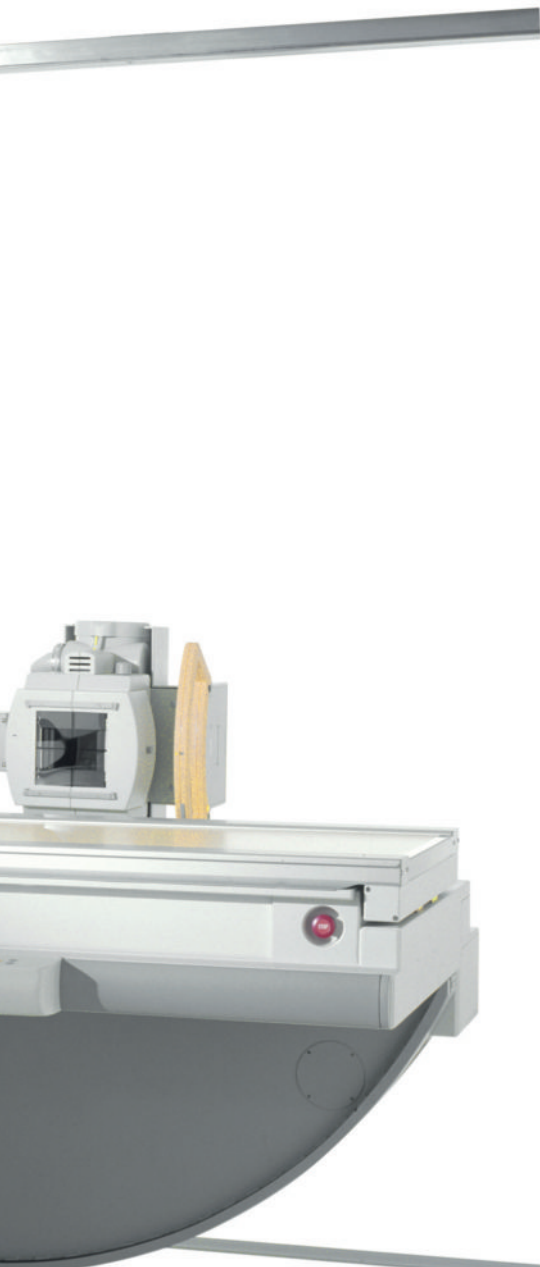
More application flexibility with additional tiltable vertical stand e.g. for chest or trolley exams

In the decoupled mode the DuoDiagnost can be used like any conventional Bucky system with all its projection flexibility.



The radiography flexibility you want

Carry out all routine radiography examinations with the universal table or the wall unit of DuoDiagnost.



Flexibility after decoupling

Benefit from DuoDiagnost's unique and revolutionary geometry: Decouple the tube assembly from the image intensifier carriage and flexibly use it along a floor column. This way, you enjoy complete freedom in radiography positioning without needing a second tube. For example, you can easily move the tube assembly into a lateral exposure position so that the X-ray beam can be aimed at a laterally positioned cassette. The unrestricted range of movement also permits free cassette exposures on a wheelchair or bed.

Independent movements

You can also use DuoDiagnost like a wall Bucky by positioning the patient in front of the vertically aligned table. Take full advantage of the tube column's independent movement since you can vary the SID (Source Image Distance) between tube and table at will, and even perform optimal thorax exposures at large SIDs. Alternatively, you can use the tube in combination with the Philips tiltable vertical stand to enhance patient throughput. To top it all off, the multifunctional DuoDiagnost is also capable of tomography in all table positions – including vertical for patients with inhibited movements.

Embrace digital

Go digital with your radiography procedures by acquiring digital images with PCR Eleva (Philips Computed Radiography) and thus experience reliable digital workflow with economical digital images.

The fluoroscopy functionality you need

Besides radiography applications DuoDiagnost incorporates all routine and advanced fluoroscopy procedures.

Convenient workflow

Easily perform all standard fluoroscopy exams – from swallow studies to phlebographies and urology examinations – thanks to DuoDiagnost's patient accessibility and full clinical coverage. The tableside user interface enables convenient stand movement. Plus, with a second operating console you can initiate table movement and change imaging parameters from anywhere in the room. The application-driven design further supports intuitive handling with features such as variable speed control for table and tube movements, a choice of several image intensifier sizes and a serial changer.

Digital efficiency

DuoDiagnost is available as a digital system or set up for digital – to make it simple for you to upgrade at a later date. The benefits of digital acquisition and fluoroscopy are clear: lower costs, greater efficiency and improved results. For example, the optimally processed digital images are instantly available for online review, virtually eliminating waiting time for film processing. Moreover, you can view each image with maximum clarity – at a lower dose compared to conventional techniques. Choosing DuoDiagnost's digital fluoroscopy version is definitely worth considering since it is also combined with a highly affordable price.





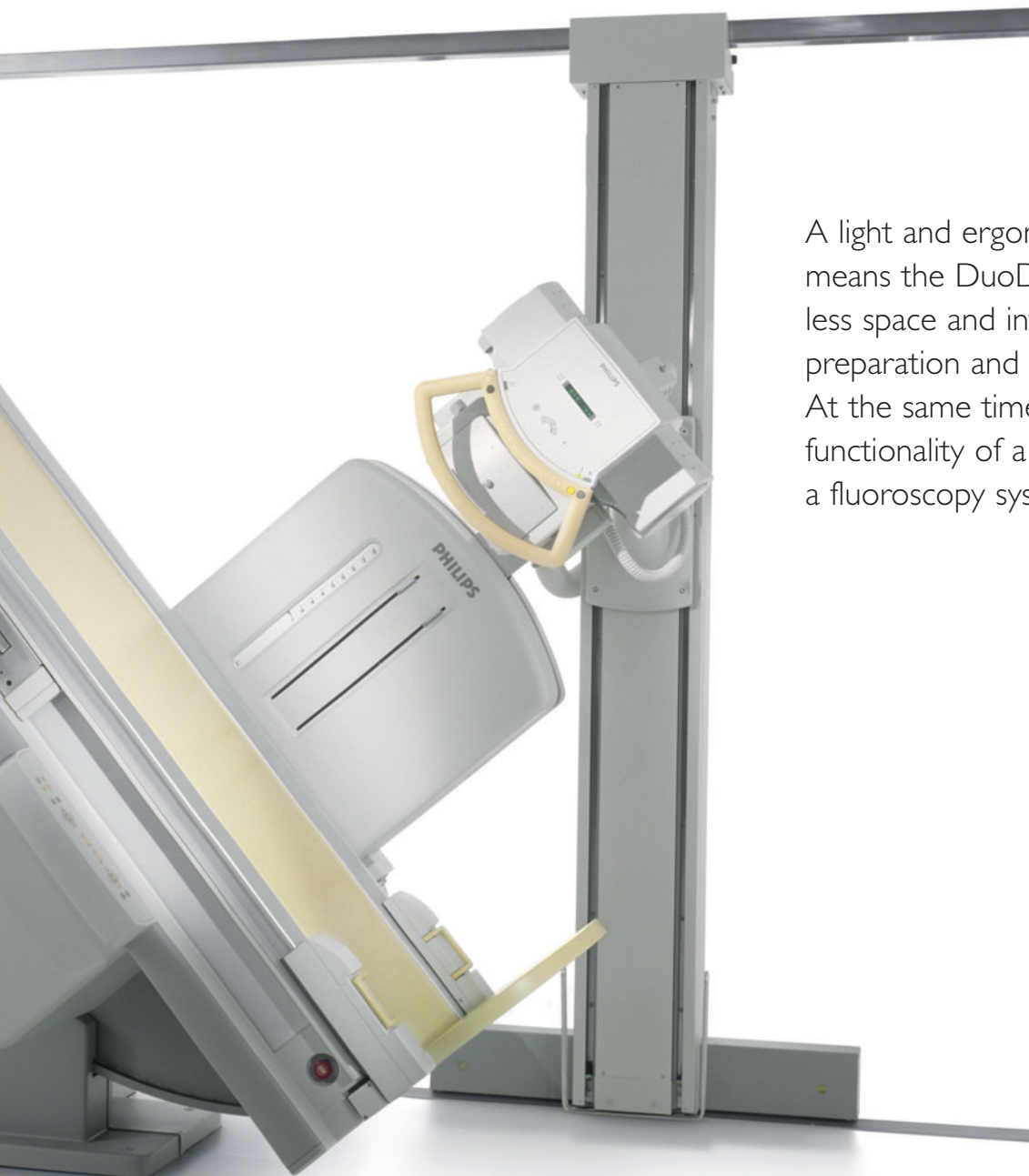
Compact design allows access in all positions
e.g. for phlebographies



Suited for ERCP and other non-vascular
interventions



Full clinical coverage for all standard
fluoroscopy examinations



A light and ergonomical design means the DuoDiagnost takes up less space and involves lower room preparation and installation costs. At the same time it offers the full functionality of a Bucky and a fluoroscopy system.

**Philips Healthcare is part of
Royal Philips Electronics**

How to reach us

www.philips.com/healthcare

healthcare@philips.com

Fax: +31 40 27 64 887

Asia

+852 2821 5888

Europe, Middle East, Africa

+31 40 27 87246

Latin America

+55 11 2125 0764

North America

+1 425 487 7000

800 285 5585 (toll free, US only)

Philips Healthcare

Global Information Center

P.O. Box 1286

5602 BG Eindhoven

The Netherlands

DuoDiagnost is not commercially available in the USA



© 2008 Koninklijke Philips Electronics N.V.
All rights are reserved.

Philips Healthcare reserves the right to make changes in specifications and/or to discontinue any product at any time without notice or obligation and will not be liable for any consequences resulting from the use of this publication.

Printed in The Netherlands.
4522 962 41551/707 * NOV 2008