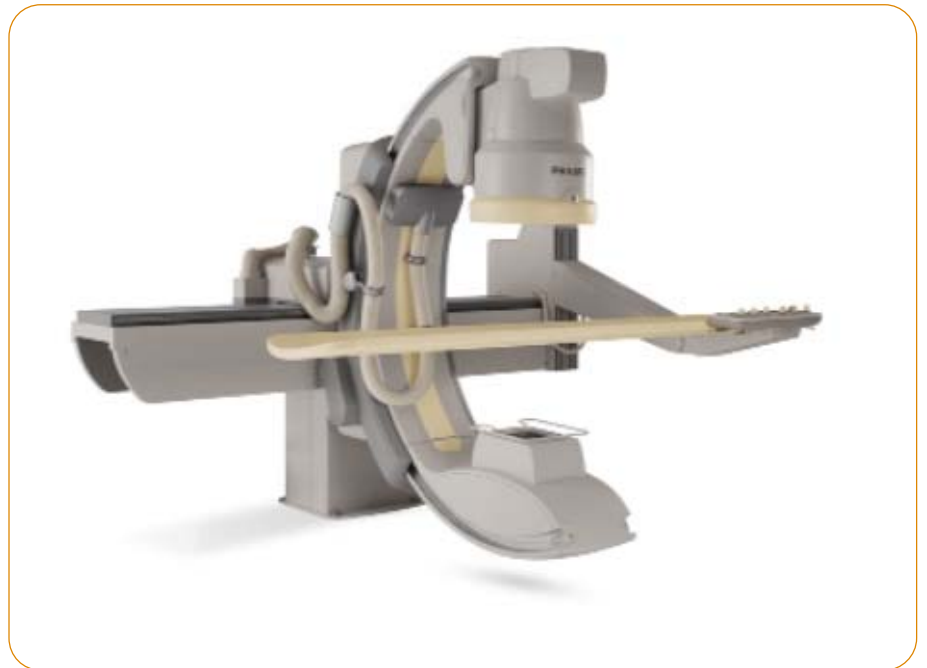

IHE

Integration Statement

MultiDiagnost Eleva EDI Release 2.0



Issued by:

**PHILIPS MEDICAL SYSTEMS B.V.
CTO C&S Interoperability Competence Center**

Building QV-282
P.O. Box 10 000
5680 DA Best
The Netherlands
e-mail: dicom@philips.com
Internet: <http://www.medical.philips.com>

TABLE OF CONTENTS

1.	INTRODUCTION	2
1.1.	Overview	2
1.2.	Important Note to the Reader	2
1.3.	General Acronyms and Abbreviations.....	3
2.	IHE INTEGRATION STATEMENT	4

1. INTRODUCTION

1.1. Overview

The Integrating the Healthcare Enterprise (IHE) Integration Statement specifies the Integration Profiles, its Actors, and options Philips Medical System has chosen for implementing in this product.

This document helps the reader to investigate whether and to what extent interoperability with other products might be supported.

The IHE Technical Framework identifies a subset of the functional components of the healthcare enterprise and specifies their interactions in terms of a set of coordinated transactions. The actors and transactions described in the IHE Technical Framework are abstractions of the real-world healthcare information system environment. While some of the transactions are traditionally performed by specific product categories (e.g. HIS, RIS, PACS, or modalities), the IHE Technical Framework intentionally avoids associating functions or actors with such product categories. For each actor, the IHE Technical Framework defines only those functions associated with integrating information systems. The IHE definition of an actor should therefore not be taken as the complete definition of any product that might implement it, nor should the framework itself be taken as the complete definition of a healthcare information system architecture.

This IHE Integration Statement provides the reader with a high-level view of supported IHE integration profiles. For further investigations, additional information can be found in the DICOM Conformance Statement of this product and in the IHE Technical Framework.

1.2. Important Note to the Reader

This IHE Integration Statement by itself does not guarantee successful interoperability of this Philips product with other products. The user (or user's agent) should be aware of the following issues:

Interoperability

Interoperability refers to the ability of application functions, distributed over two or more systems, to work successfully together. It is the user's responsibility to analyze thoroughly the application requirements and to specify a solution that integrates Philips equipment with non-Philips equipment.

Validation

Philips equipment has been carefully tested to assure that the actual implementation of the IHE Integration Profiles corresponds with this Integration Statement.

Where Philips equipment is linked to non-Philips equipment, the first step is to compare the relevant Integration Statement. If the Integration Statement indicates that successful information exchange should be possible, additional validation tests will be necessary to ensure the functionality, performance, accuracy and stability of image and image related data. It is the responsibility of the user (or user's agent) to specify the appropriate test suite and to carry out the additional validation tests.

New versions of the IHE Technical Framework

The IHE Technical Framework will evolve in future to meet the user's growing requirements and to incorporate new features and technologies.

Philips is actively involved in this evolution and plans to adapt its equipment to future versions of the IHE Technical Framework. In order to do so, Philips reserves the right to make changes to its products or to discontinue its delivery.

The user should ensure that any non-Philips provider linking to Philips equipment also adapts to future versions of the IHE Technical Framework. If not, the incorporation of IHE enhancements into Philips equipment may lead to loss of connectivity (in case of networking).

1.3. General Acronyms and Abbreviations.

The following acronyms and abbreviations are used in the document.

- IHE Integrating the Healthcare Enterprise
- HIS Hospital Information System
- HL7 Health Level 7
- DICOM Digital Imaging and Communication in Medicine
- RSNA Radiological Society of North America
- ACTOR An entity within a use case that can perform an action

2. IHE INTEGRATION STATEMENT

Vendor	Product Name	Version	Date
Philips Medical Systems	MultiDiagnost Eleva EDI	2.0	18 May 2006
<i>This product implements all of the transactions specified in the IHE Technical Framework to support the IHE Integration Profiles and Actors specified below:</i>			
Integration Profiles Implemented	Actors Implemented	Options Implemented	
Scheduled Workflow (SWF)	Acquisition Modality Evidence Creator Image Display	<ul style="list-style-type: none"> • Assisted Acquisition Protocol Setting 	
Patient Information Reconciliation (PIR)	Acquisition Modality	<ul style="list-style-type: none"> • None 	
Access Radiology Information (ARI)	Image Display	<ul style="list-style-type: none"> • None 	
Consistent Presentation of Images (CPI)	Evidence Creator Image Display Print Composer	<ul style="list-style-type: none"> • None 	
IHE at Philips Medical Systems:	Philips IHE (http://www.medical.philips.com/main/company/connectivity/IHE/ihe_isindex.html)		
DICOM Conformance Statements:	DICOM Conformance Statement (http://www.medical.philips.com/connectivity)		
More about products from Philips Medical Systems:	www.medical.philips.com		
For general information on IHE:	<ul style="list-style-type: none"> • www.rsna.org/ihe (North America) • www.ihe-europe.org (Europe) • http://www.jira-net.or.jp/ihe-j (Japan) 		