
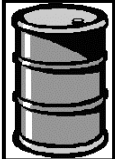




Printed copies are uncontrolled

Product name:	NM3	
Identification code(s)	Model 7900	
Total weight (in Kg)	4.26 kg	
Producer/ Manufacturer	Name company:	Philips Respironics
	Address:	5 Technology Drive Wallingford CT
	Zip code:	06492
	Country:	United States of America

Recycle Info	Items:	Location
Special attention 	Disinfect device prior to handling	Figure 1
	PCB – Power Supply	Figure 2, Location 3
	PCB – Keypanel Board	Figure 3, Location 1
	PCB – SpO2 board (Masimo)	Figure 3, Location 2
	PCB – Inverter board	Figure 3, Location 3
	PCB – System Main Board	Figure 4, Location 2
	PCB –Flow Board (Mercury)	Figure 4, Location 3
	PCB – Cardiac Output Board	Figure 4, Location 4
Fluids / Gases 	Items:	Location
	None	
Batteries 	Type:	Location
	Lead Acid Battery	Figure 2, Location 1
	Lithium Ion Battery	Figure 4, Location 1
To be Removed		
Hazardous 	Substances:	Location
To be Removed	Mercury (Note: RoHS compliant display, still contains some mercury)	Figure 2, Location 2

Passport Number	Version	Author	ECO	Signature/Date
WEEE Passport	A	Patrick Freeman	5-12373	EDMS

Show locations of materials mentioned on the previous sheet. (Picture information)

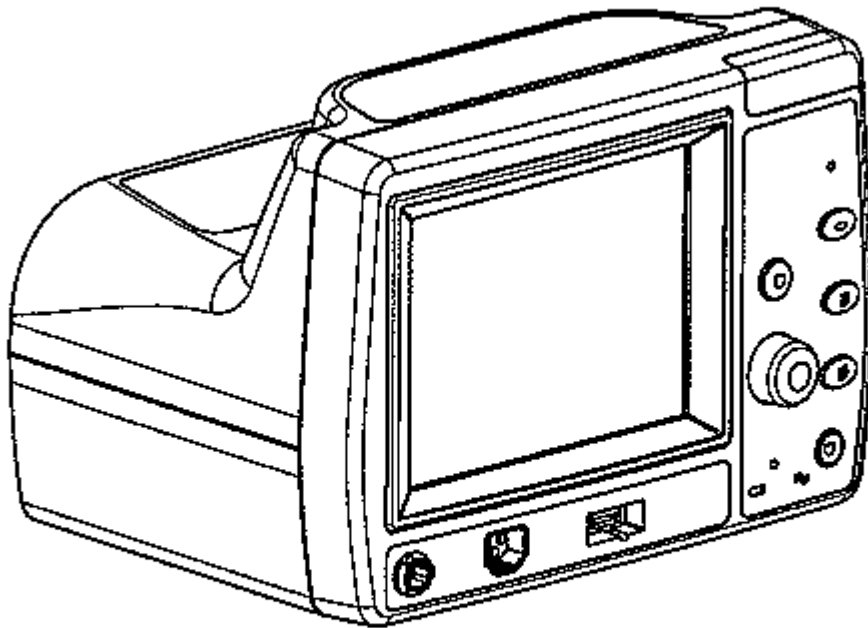


Figure 1

Show locations of materials mentioned on the previous sheet. (Picture information)

Printed copies are uncontrolled

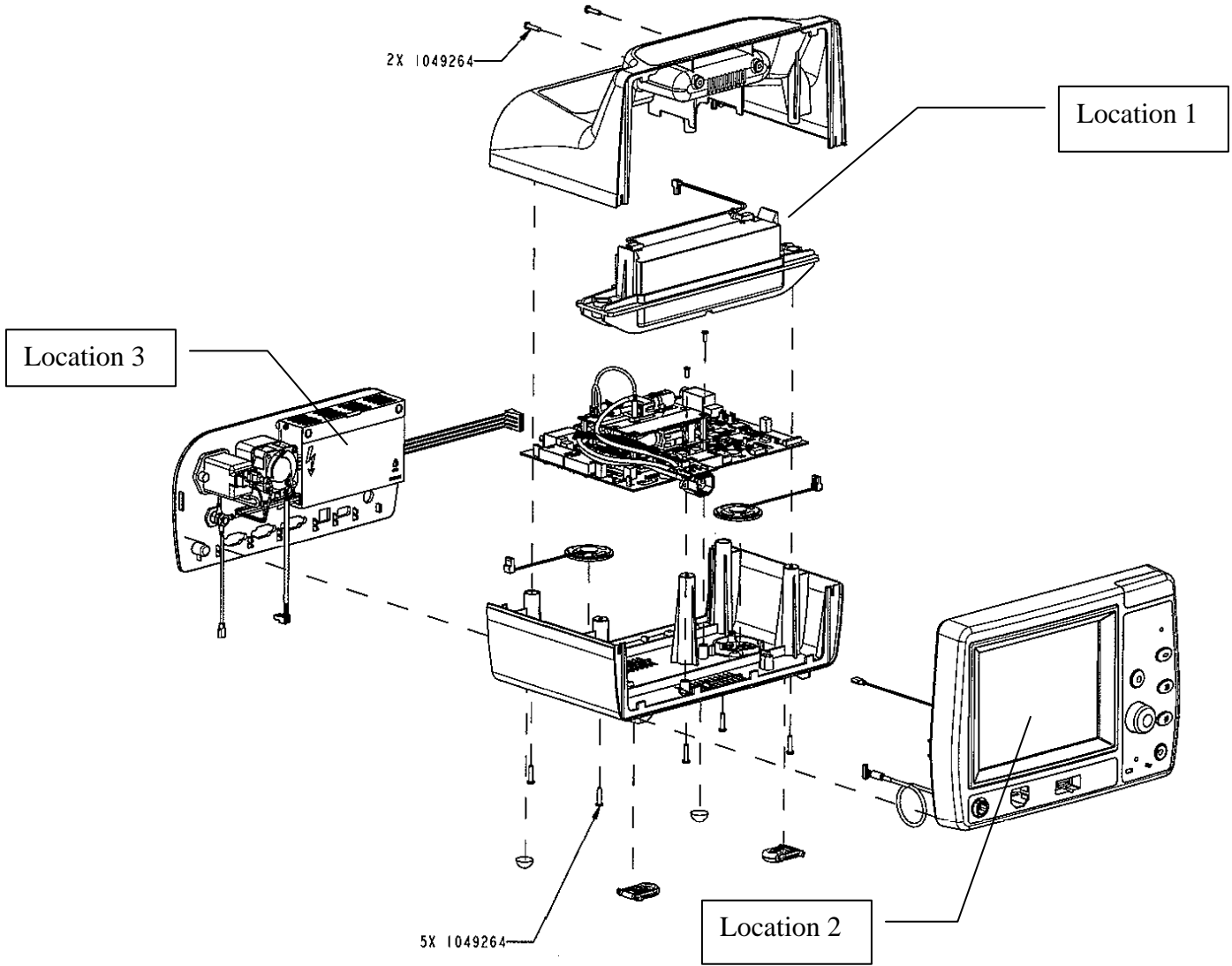


Figure 2

Show locations of materials mentioned on the previous sheet. (Picture information)

Printed copies are uncontrolled

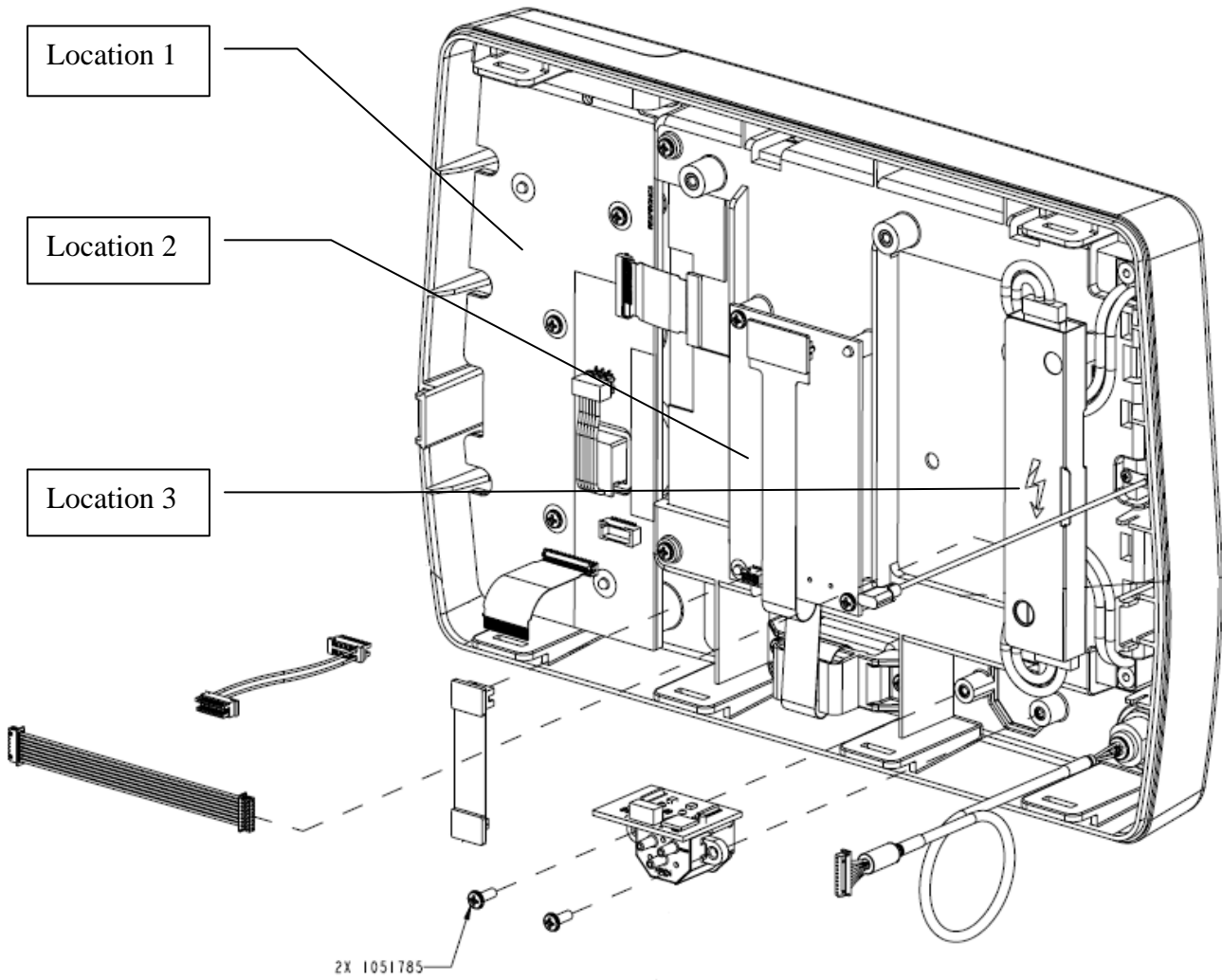


Figure 3

Show locations of materials mentioned on the previous sheet. (Picture information)

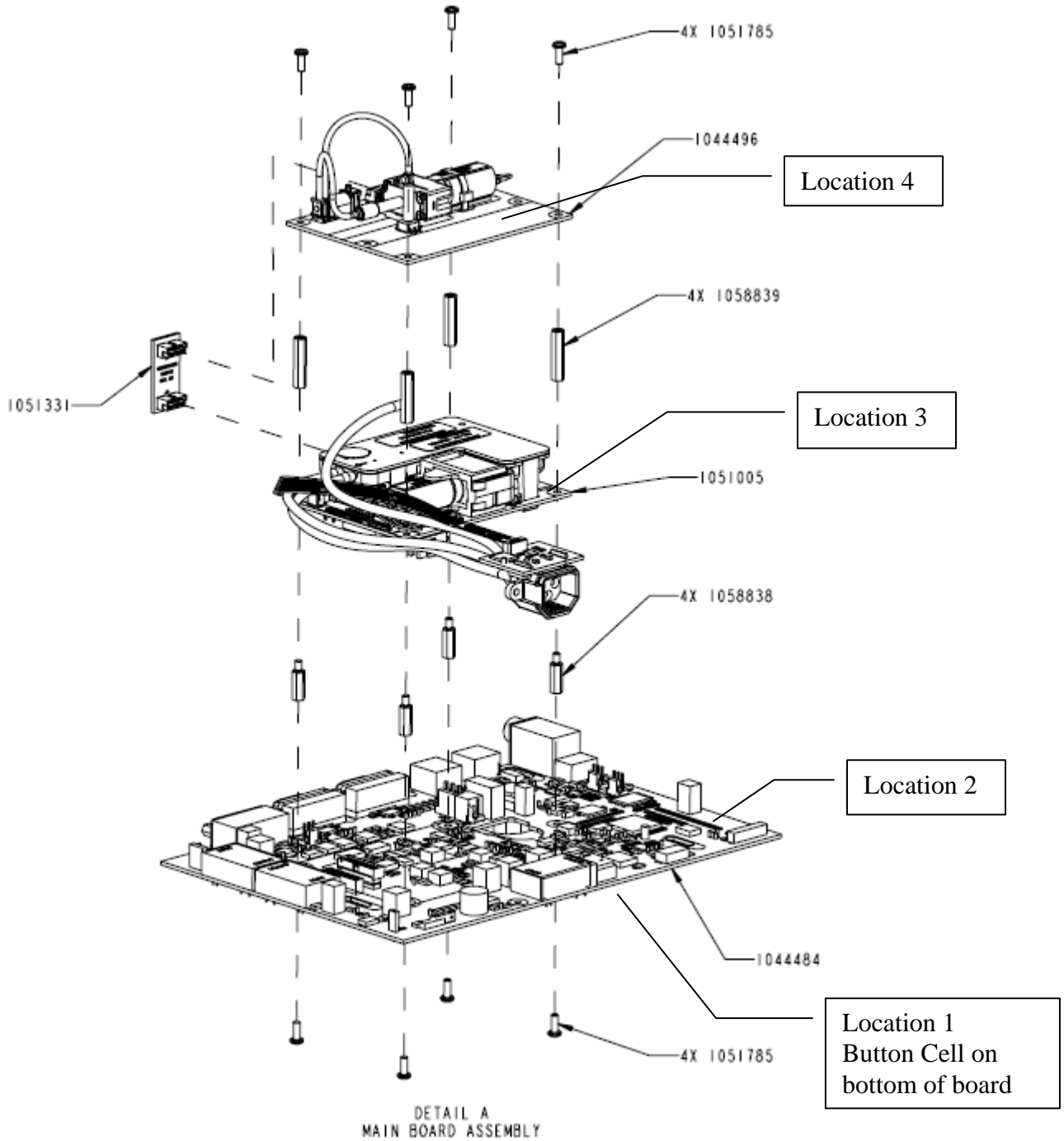


Figure 4

Printed copies are uncontrolled