




Product name	PMS Body, Cardiac and Torso coils
Sense Body coil	4522 132 19850 Sense Body coil 1.5T
Sense Cardiac coil	4522 132 19880 Sense Cardiac coil 1.5T
Sense SL Torso coil	4535 671 41880 SXLT 1.5T
Sense SL Torso coil	4535 675 02280 SXLT 1.5T MKII
Sense SL Torso coil	4535 673 94940 SXLT 3.0T
Total weight [kg]	Body coil → 6.5 Kg Cardiac coil → 7 Kg SXLT → 6.5 Kg
Manufacturer	Philips Medical Systems
Address	Veenpluis 4-6 Best
Zip code	5684PC
Country	The Netherlands
Electronic info	RFCoils_PMSBodyCardiacTorsoCoils v02.doc

Recycling information

Special Attention 	Items	Location
	None	Figure

Batteries 	Items, type	Location
	None	Figure

Hazardous substances 	Items	Location
	Several printed circuit boards inside the coil	Figures next pages
	Beryllium copper contact pins on external connector and internal connectors in driver box	Figures next pages


Fluids and gases



Items

Location

None

Fluids and gases	Items	Location
	None	

Locations as mentioned in the Passport (Information in pictures)

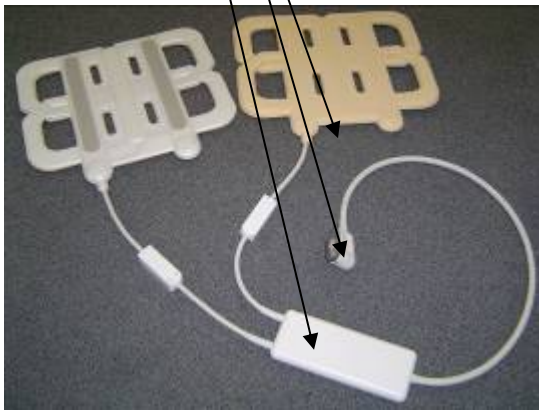
Place sketch (es) or photo(s) here, and indicate issues using icons:



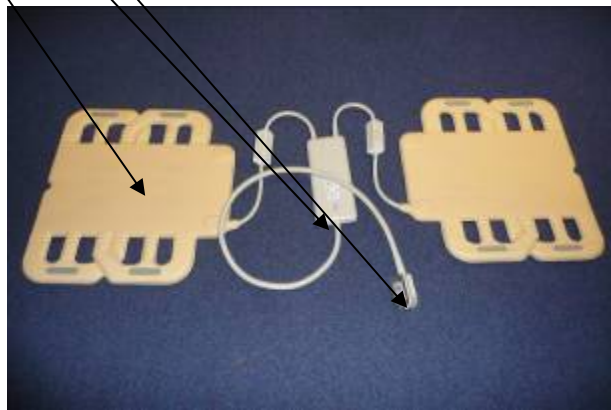
Cardiac coil



Body coil



SXL 1.5T



SXL 1.5T MKII and SXL 3.0T