

<b>Product name</b>	<b>HP z400 Computer, HP z600 Computer (Host / Reconstructor)</b>
Identification code(s)	Z400: <ul style="list-style-type: none"> <li>• 4522 133 1444x      ‘MS Recon z400 12GB CDAS’</li> <li>• 4522 133 1493x      ‘MS Recon z400 12GB BDAS’</li> <li>• 4522 133 1533x      ‘Host z400 8GB CDAS’</li> <li>• 4522 133 1536x      ‘Host z400 8GB BDAS’</li> </ul> Z600: <ul style="list-style-type: none"> <li>• 4522 133 1445x      ‘HE Recon z600 24GB CDAS’</li> </ul>
Total weight [kg]	15 kg – 25 kg
<b>Manufacturer</b>	<b>Hewlett Packard</b>
Address	Orteliuslaan 1000
Zip code	3528 BD Utrecht
Country	The Netherlands
Electronic info	

### TABLE OF CONTENTS:

Product name .....	1
HP z400 Computer, HP z600 Computer .....	1
(Host / Reconstructor) .....	1
Manufacturer .....	1
Hewlett Packard .....	1
1. Recycling information.....	1
2. 517891-001 <HP Z400 Workstation Disassembly Instructions> .....	2
3. 517893-001 <HP Z600 Workstation Disassembly Instructions> .....	9

## 1. Recycling information

The chapters below, contain the recycling information of two computers:

- Z400: 517891-001 <HP Z400 Workstation Disassembly Instructions>
- Z600: 517893-001 <HP Z600 Workstation Disassembly Instructions>

Name: <b>Recycling Passport Computers z400 - z600</b>	12NC: <b>4522 133 15330</b>	Version: <b>00</b> Doc.Date: <b>2009-08-17</b>
Author:	Pag.: <b>1 of 13</b>	Group No: 5790    Section: -    Status: <b>Approved</b>

## 2. 517891-001 <HP Z400 Workstation Disassembly Instructions>

# Product End-of-Life Disassembly Instructions

Product Category: Workstations

Marketing Name / Model

[List multiple models if applicable.]

HP Z400 Workstation

**Purpose:** The document is intended for use by end-of-life recyclers or treatment facilities. It provides the basic instructions for the disassembly of HP products to remove components and materials requiring selective treatment, as defined by EU directive 2002/96/EC, Waste Electrical and Electronic Equipment (WEEE).

### 1.0 Items Requiring Selective Treatment

1.1 Items listed below are classified as requiring selective treatment. 1.2 Enter the quantity of items contained within the product which require selective treatment in the right column, as applicable.

Item Description	Notes	Quantity of items included in product
Printed Circuit Boards (PCB) or Printed Circuit Assemblies (PCA)	With a surface greater than 10 sq cm Two in the power supply, one graphics card, and one system board. (Additional cards may be present depending on the configuration.)	4
Batteries	All types including standard alkaline and lithium coin or button style batteries	1
Mercury-containing components	For example, mercury in lamps, display backlights, scanner lamps, switches, batteries	None
Liquid Crystal Displays (LCD) with a surface greater than 100 sq cm	Includes background illuminated displays with gas discharge lamps	None
Cathode Ray Tubes (CRT)		None
Capacitors / condensers (Containing PCB/PCT)		None
Electrolytic Capacitors / Condensers measuring greater than 2.5 cm in diameter or height	Three attached to the power supply boards.	3
External electrical cables and cords		1
Gas Discharge Lamps		None
Plastics containing Brominated Flame Retardants		None
Components and parts containing toner and ink, including liquids, semi-liquids (gel/paste) and toner	Include the cartridges, print heads, tubes, vent chambers, and service stations.	None
Components and waste containing asbestos		None
Components, parts and materials containing refractory ceramic fibers		None
Components, parts and materials containing radioactive substances		None

### 2.0 Tools Required

List the type and size of the tools that would typically be used to disassemble the product to a point where components and materials requiring selective treatment can be removed.

#### Tool Description


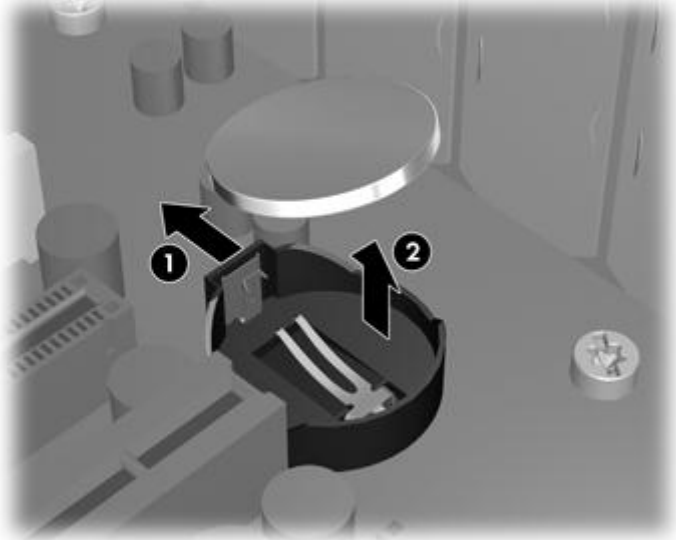
Assorted Torx drivers, screwdrivers and a diagonal cutter

### 3.0 Product Disassembly Process

Name:	<b>Recycling Passport Computers z400 - z600</b>	12NC:	<b>4522 133 15330</b>	Version: <b>00</b>
Author:		Pag.: <b>2 of 13</b>	Group No: 5790	Doc.Date: <b>2009-08-17</b>
			Section: -	Status: <b>Approved</b>

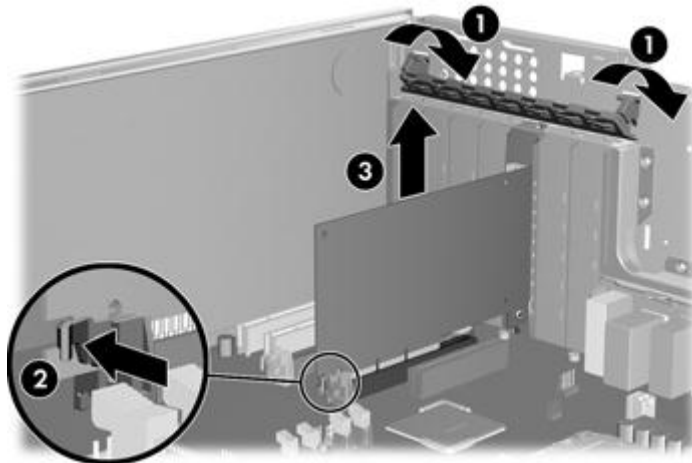
3.1 List the basic steps that should typically be followed to remove components and materials requiring selective treatment: (See instructions below in sections 3.2 and 3.3.)

### 3.2 Workstation Disassembly Procedures

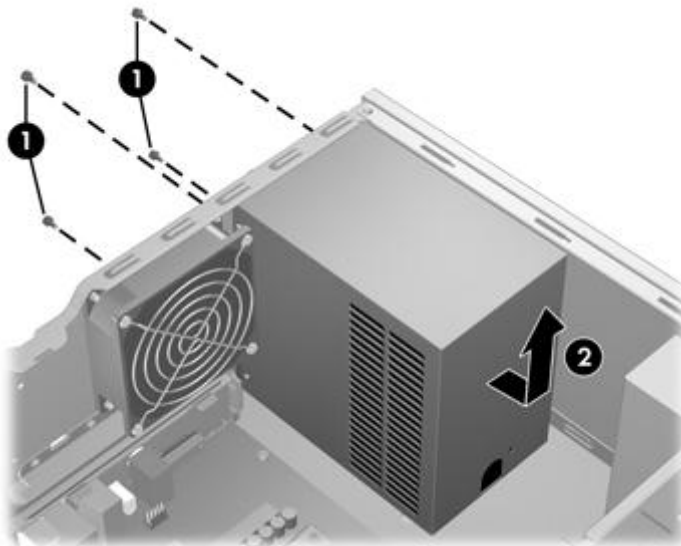
1.	Remove/disengage any security devices that prohibit opening the workstation.
2.	Disconnect the power cord from the electrical outlet and then from the workstation.
3.	Disconnect all peripheral device cables from the workstation.
4.	
5.	Disconnect all internal cables from system board, power supply, and other components.
6.	<p>Remove the system battery. Press on the release tab of the battery holder. Pull the battery latch (1) and lift it straight up on the battery (2).</p> 

Name:	<b>Recycling Passport Computers z400 - z600</b>	12NC:	<b>4522 133 15330</b>			Version: <b>00</b>	Doc.Date: <b>2009-08-17</b>
Author:	Pag.: <b>3 of 13</b>	Group No: <b>5790</b>	Section: <b>-</b>	Status: <b>Approved</b>			

7. Remove the graphics card and any other expansion cards. Open the PCI card retainer (1), release the PCI slot latch (2) (if necessary), and lift the card from the chassis (3).

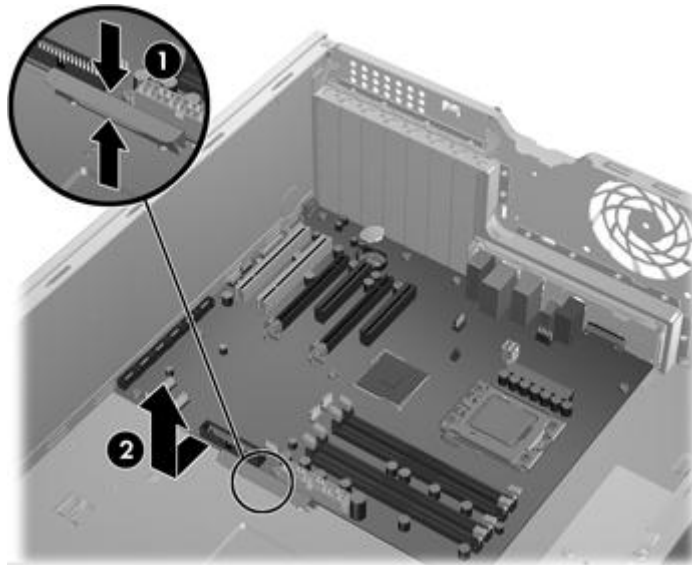


8. Remove the power supply from the chassis. Disconnect or cut electrical connections to the power supply. Remove the four screws securing the power supply to the workstation chassis (1). Slide the power supply toward the front, then lift up to remove it from the chassis (2).



Name:	<b>Recycling Passport Computers z400 - z600</b>	12NC:	<b>4522 133 15330</b>			Version: <b>00</b>
Author:		Pag.: <b>4 of 13</b>	Group No: 5790	Section: -	Doc.Date: <b>2009-08-17</b>	Status: <b>Approved</b>

9. Remove the system board. Press the release tab (1). Slide the system board toward the front of the chassis and then lift it out of the chassis (2).



10. Dispose of all removed components according to regulatory requirements.

### 3.3 Power Supply Disassembly Procedures

1. Refer to the Items Requiring Selective Treatment table to identify all components to be removed.

Name:	<b>Recycling Passport Computers z400 - z600</b>	12NC:	<b>4522 133 15330</b>	Version: <b>00</b>
Author:		Pag.: <b>5 of 13</b>	Group No: <b>5790</b>	Doc.Date: <b>2009-08-17</b>
			Section: <b>-</b>	Status: <b>Approved</b>

2. Cut the two cable ties at the rear of the unit. Cut the single cable tie at the side.



3. Remove the four power supply chassis screws—two from each side.



Name:	<b>Recycling Passport Computers z400 - z600</b>	12NC:	<b>4522 133 15330</b>	Version: <b>00</b>
Author:		Pag.: <b>6 of 13</b>	Group No: 5790	Doc.Date: <b>2009-08-17</b>
			Section: -	Status: <b>Approved</b>

4. Slide the chassis housing from the power supply unit.

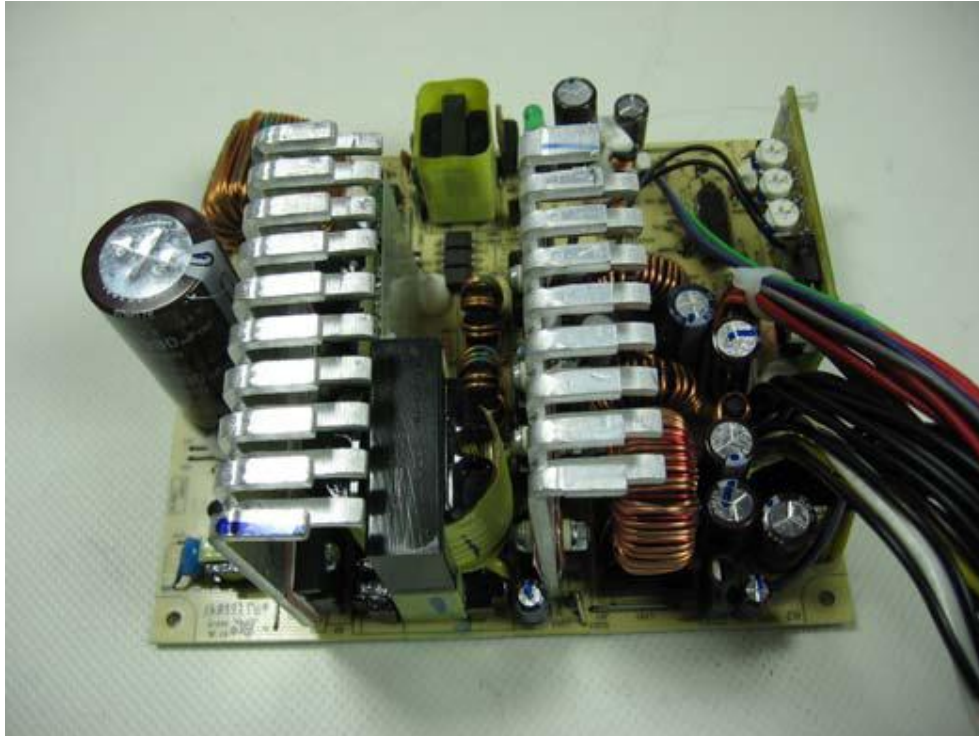


5. Remove the four screws from the corners of the large PCB card. Remove the large PCB card from the unit.



Name:	<b>Recycling Passport Computers z400 - z600</b>	12NC:	<b>4522 133 15330</b>	Version: <b>00</b>
Author:		Pag.: <b>7 of 13</b>	Group No: <b>5790</b>	Doc.Date: <b>2009-08-17</b>
			Section: <b>-</b>	Status: <b>Approved</b>

6. Ensure that all capacitors are safely discharged. Use a diagonal cutter to remove the desired components from both PCB cards. (Note that some components may need to be unsoldered if a diagonal cutter does not fit between the component and the PCB card.)



7. Dispose of all removed components according to regulatory requirements.

Name:	<b>Recycling Passport Computers z400 - z600</b>	12NC:	<b>4522 133 15330</b>	Version:	<b>00</b>
Author:		Pag.:	<b>8 of 13</b>	Doc.Date:	<b>2009-08-17</b>
		Group No:	<b>5790</b>	Section:	<b>-</b>
				Status:	<b>Approved</b>



### 3. 517893-001 <HP Z600 Workstation Disassembly Instructions>

## Product End-of-Life Disassembly Instructions

Product Category: Workstations

Marketing Name / Model

[List multiple models if applicable.]

HP Z600 Workstation

**Purpose:** The document is intended for use by end-of-life recyclers or treatment facilities. It provides the basic instructions for the disassembly of HP products to remove components and materials requiring selective treatment, as defined by EU directive 2002/96/EC, Waste Electrical and Electronic Equipment (WEEE).

### 1.0 Items Requiring Selective Treatment

1.2 Items listed below are classified as requiring selective treatment.

1.3 Enter the quantity of items contained within the product which require selective treatment in the right column, as applicable.

Item Description	Notes	Quantity of items included in product
Printed Circuit Boards (PCB) or Printed Circuit Assemblies (PCA)	With a surface greater than 10 sq cm. One in the power supply, one graphics card, and one system board. (Additional cards may be present depending on the configuration.)	3
Batteries	All types including standard alkaline and lithium coin or button style batteries	1
Mercury-containing components	For example, mercury in lamps, display backlights, scanner lamps, switches, batteries	None
Liquid Crystal Displays (LCD) with a surface greater than 100 sq cm	Includes background illuminated displays with gas discharge lamps	None
Cathode Ray Tubes (CRT)		None
Capacitors / condensers (Containing PCB/PCT)		None
Electrolytic Capacitors / Condensers measuring greater than 2.5 cm in diameter or height	Eight attached to the power supply boards.	8
External electrical cables and cords		1
Gas Discharge Lamps		None
Plastics containing Brominated Flame Retardants		None
Components and parts containing toner and ink, including liquids, semi-liquids (gel/paste) and toner	Include the cartridges, print heads, tubes, vent chambers, and service stations.	None
Components and waste containing asbestos		None
Components, parts and materials containing refractory ceramic fibers		None
Components, parts and materials containing radioactive substances		

### 2.0 Tools Required

List the type and size of the tools that would typically be used to disassemble the product to a point where components and materials requiring selective treatment can be removed.

#### Tool Description


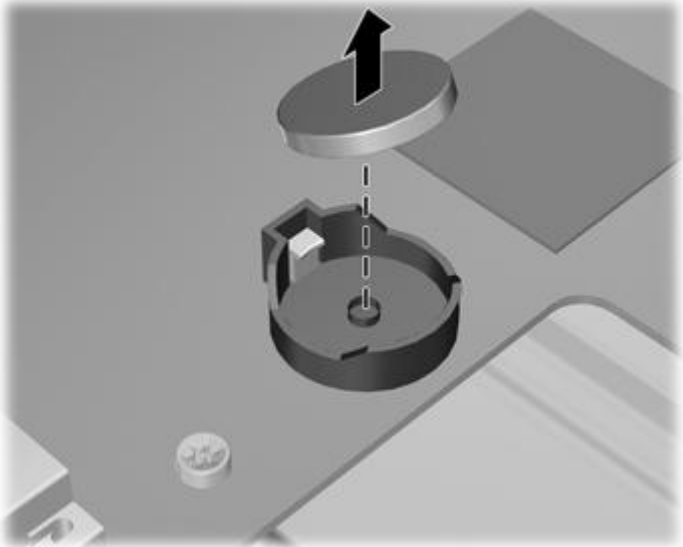
Assorted Torx drivers, screwdrivers and a diagonal cutter

Name:	<b>Recycling Passport Computers z400 - z600</b>	12NC:	<b>4522 133 15330</b>	Version: <b>00</b>
Author:		Pag.: <b>9 of 13</b>	Group No: 5790	Doc.Date: <b>2009-08-17</b>
			Section: -	Status: <b>Approved</b>

## 3.0 Product Disassembly Process

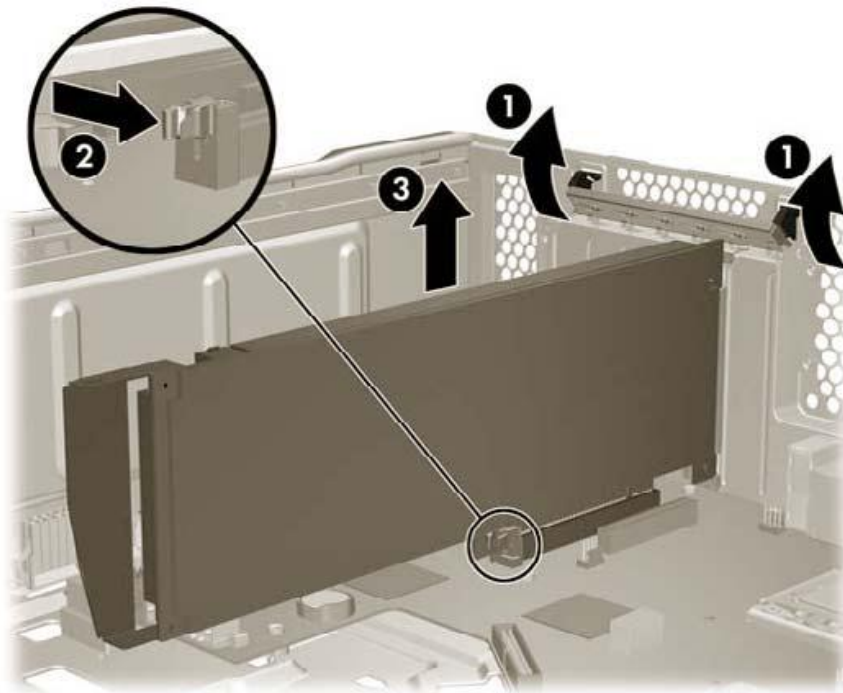
3.1 List the basic steps that should typically be followed to remove components and materials requiring selective treatment: (See instructions below in sections 3.2 and 3.3.)

### 3.2 Workstation Disassembly Procedures

1.	Remove/disengage any security devices that prohibit opening the workstation.
2.	Disconnect the power cord from the electrical outlet and then from the workstation.
3.	Disconnect all peripheral device cables from the workstation.
4.	Remove the access panel. Pull up on the handle 1 and rotate the cover off the chassis 2 as shown in the following figure. <div style="text-align: center;">  </div>
5.	Disconnect all internal cables from system board, power supply, and other components.
6.	Remove the system battery. Press on the release tab of the battery holder. Rotate the battery beyond the latch and lift it straight up. <div style="text-align: center;">  </div>

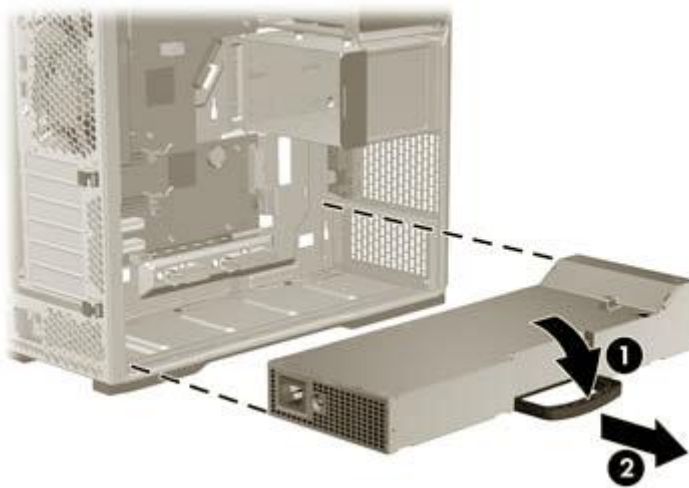
Name:	<b>Recycling Passport Computers z400 - z600</b>	12NC:	<b>4522 133 15330</b>	Version: <b>00</b>
Author:		Pag.: <b>10 of 13</b>	Group No: <b>5790</b>	Doc.Date: <b>2009-08-17</b>
			Section: <b>-</b>	Status: <b>Approved</b>

7. Remove the graphics card and any other expansion cards. Push down on the expansion card retention clamp levers 1 on the outside of the chassis to open the retention clamp as shown below.



Release the card slot latch (2), and then carefully lift the card from the chassis (3).

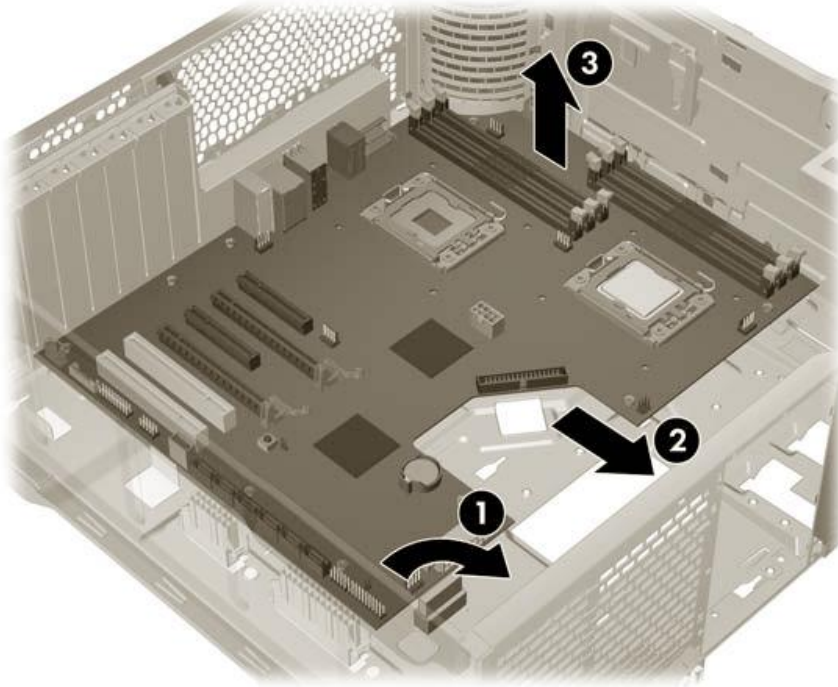
8. Remove the power supply. Pull out the power supply locking handle marked with the green tab 1 as shown in the following figure.



Use the handle to pull the power supply out of the chassis 2.

Name:	<b>Recycling Passport Computers z400 - z600</b>	12NC:	<b>4522 133 15330</b>	Version: <b>00</b>
Author:		Pag.: <b>11 of 13</b>	Group No: <b>5790</b>	Doc.Date: <b>2009-08-17</b>
			Section: <b>-</b>	Status: <b>Approved</b>

- Remove the system board. Release the locking latches 1 as shown in the figure below.

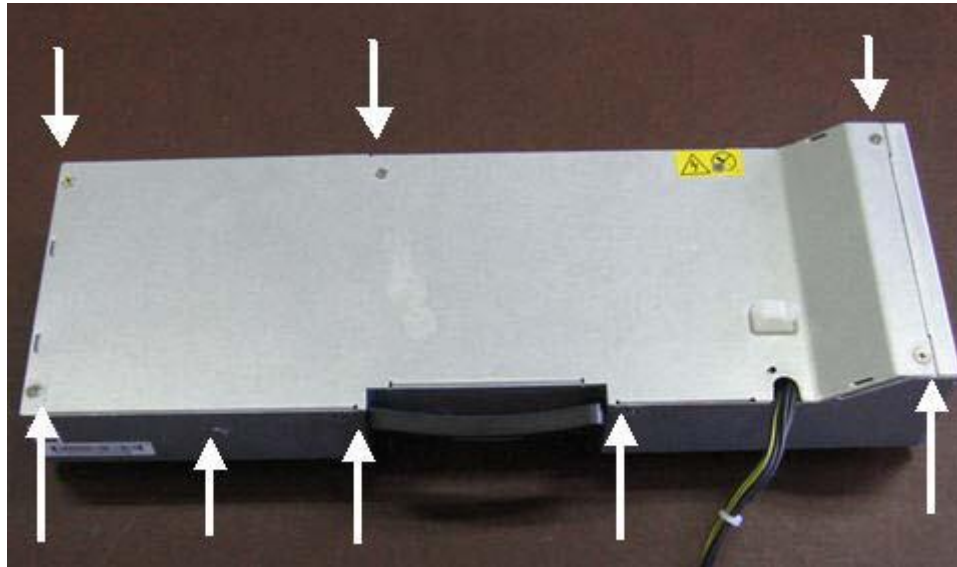


Slide the system board forward 2, and lift it from the chassis 3.

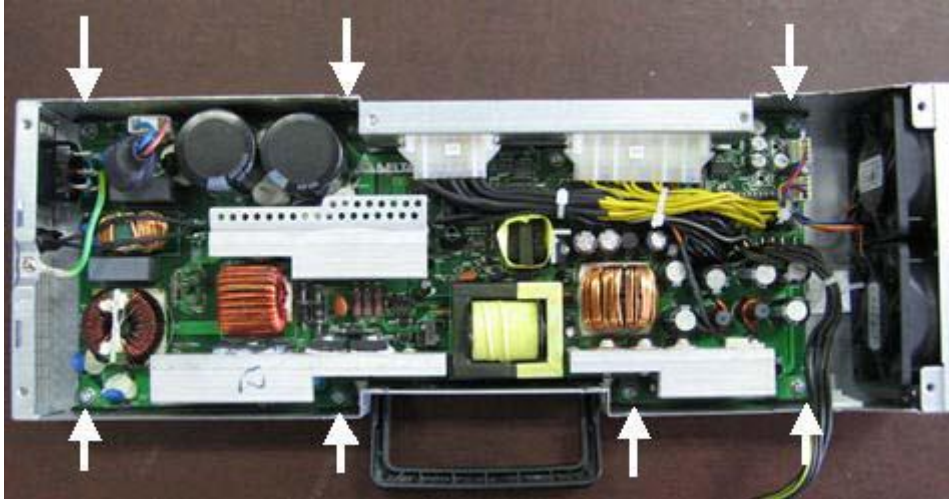
- Dispose of all removed components according to regulatory requirements.

### 3.3 Power Supply Disassembly Procedures

- Refer to the Items Requiring Selective Treatment table to identify all components to be removed. Remove the power supply chassis screws.



Name:	<b>Recycling Passport Computers z400 - z600</b>	12NC:	<b>4522 133 15330</b>	Version: <b>00</b>
Author:		Pag.: <b>12 of 13</b>	Group No: <b>5790</b>	Doc.Date: <b>2009-08-17</b>
			Section: <b>-</b>	Status: <b>Approved</b>

<p><b>2.</b></p>	<p>If desired, remove the printed PCI card from the chassis:</p> <ol style="list-style-type: none"> <li>1) Remove the PCI card fastening screws as shown below.</li> <li>2) Cut or disconnect all cable connections to the chassis.</li> <li>3) Lift the PCI card from the power supply chassis.</li> </ol> 
<p><b>3.</b></p>	<p>Ensure that all capacitors are safely discharged. Use a diagonal cutter to remove the desired components from the PCI card. (Note that some components may need to be unsoldered if a diagonal cutter does not fit between the component and the PCI card.)</p>
<p><b>4.</b></p>	<p>Dispose of all removed components according to regulatory requirements.</p>

**END OF DOCUMENT**

Name:	<b>Recycling Passport Computers z400 - z600</b>	12NC:	<b>4522 133 15330</b>			Version: <b>00</b>	Doc.Date: <b>2009-08-17</b>
Author:		Pag.: <b>13 of 13</b>	Group No: <b>5790</b>	Section: <b>-</b>	Status: <b>Approved</b>		