
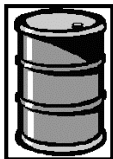


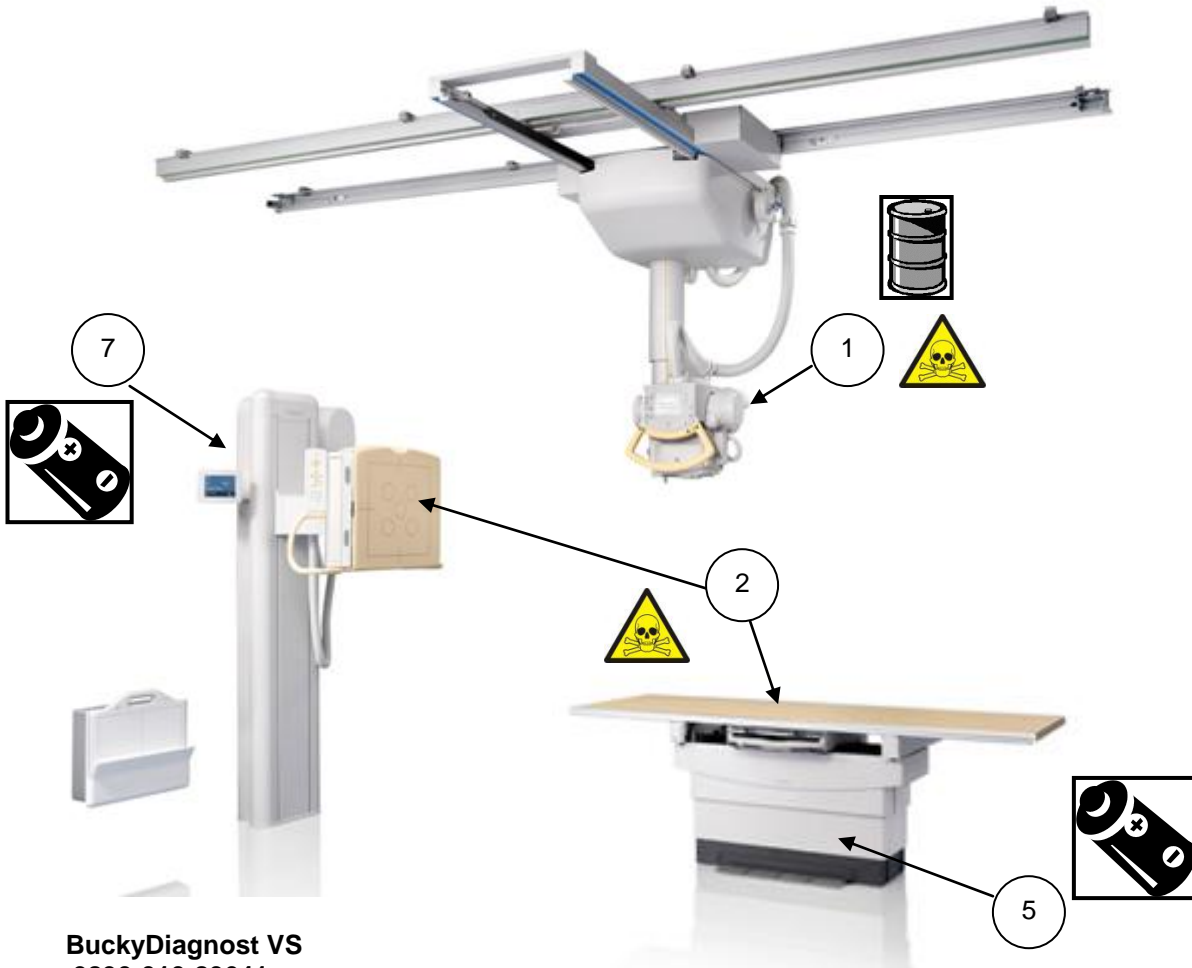


<b>PHILIPS HEALTHCARE</b>	<b>Product Recycling Passport DigitalDiagnost</b>	Page 1 of 4
-------------------------------	---	-------------

<b>Product name:</b>	<b>DigitalDiagnost Rel. 3.x</b>	
<b>Identification code(s)</b>	<b>9890-010-83903</b>	
<b>Total weight (in Kg)</b>	<b>1013 kg – 1475 kg</b>	
<b>Producer/ Manufacturer</b>	<b>Name company:</b>	<b>Philips Medical Systems DMC GmbH</b>
	<b>Address:</b>	<b>Roentgenstrasse 24</b>
	<b>Zip code:</b>	<b>22335 Hamburg</b>
	<b>Country:</b>	<b>Germany</b>

<b>Recycle Info</b>	<b>Items:</b>	<b>Location</b>
<b>Special attention</b> 	<b>Lead in tube, Collimator, Detector and table</b>	
 <b>Fluids / Gases</b>	<b>Items:</b>	<b>Location</b>
	<b>X-ray tube oil tank / Remove oil before dismantling</b>	<b>Fig. 1</b>
	<b>X-ray generator oil tank not visible</b>	
<b>Batteries</b>  <b>To be Removed</b>	<b>Type:</b>	<b>Location</b>
	<b>Lithium Battery WPD Detector</b>	<b>Fig. 4</b>
	<b>Lithium Battery BuCo printed circuit board</b>	<b>Fig. 5</b>
	<b>Lithium Battery PC printed circuit board</b>	<b>Fig. 6</b>
	<b>Battery Remote Control</b>	<b>Fig. 7</b>
<b>Hazardous</b>  <b>To be Removed</b>	<b>Substances:</b>	<b>Location</b>
	<b>Lead in X-ray tube and Collimator</b>	<b>Fig. 1</b>
	<b>Lead in Detector &amp; Grid</b>	<b>Fig. 2</b>

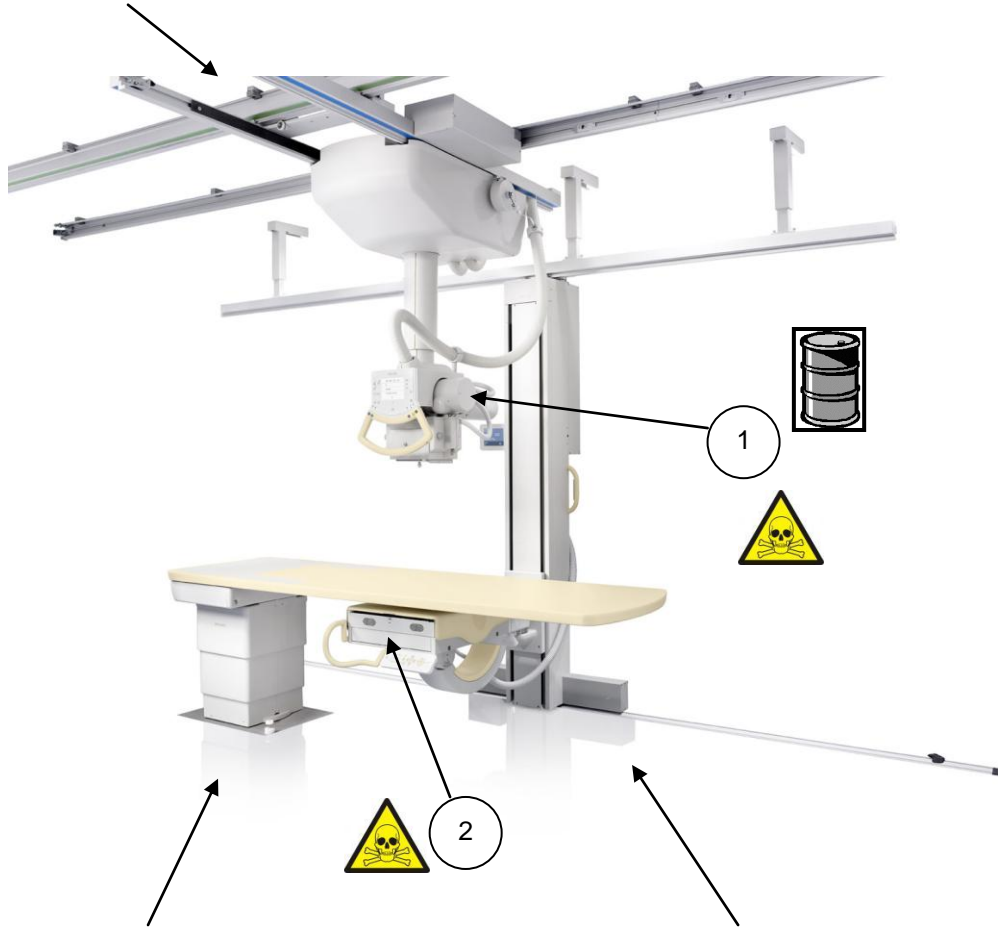
BuckyDiagnost CSIII  
9890-010-88701



BuckyDiagnost VS  
9890-010-83641

DigitalDiagnost TH2  
9848-600-02222

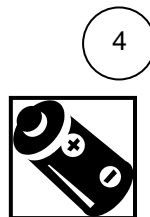
BuckyDiagnost CSIII 9890-010-88701



DigitalDiagnost THS 9890-010-84301

DigitalDiagnost VM 9890-010-82661

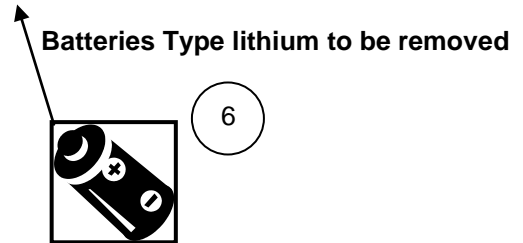
Option: Docking Station 4512-201-06851 & Portable Detektor 9890-010-87751



Batteries Type lithium to be removed

<b>PHILIPS HEALTHCARE</b>	<b>Product Recycling Passport DigitalDiagnost</b>	Page 4 of 4
-------------------------------	---	-------------

**Eleva Workspot Userstation for DigitalDiagnost** (Userstation PC is not on the picture)  
9890-010-87551



**Sub-System**

**X-Ray Tube** 9890-000-86101 or 9890-000-86111 see area X-Ray Tubes

**X-Ray Generator Optimus RAD** 9890-000-70xxx see area X- Generators

**X-Ray Generator M-Cabinet** 9890-010-88391 see area X- Generators

**Recycling Passport Revision History**

Ver.	Description	Date
00	DigitalDiagnost Rel. 3.0	27.Sep.2012