

**A**

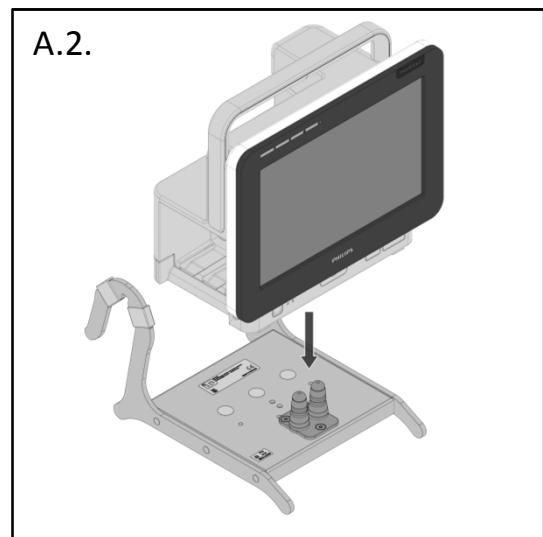
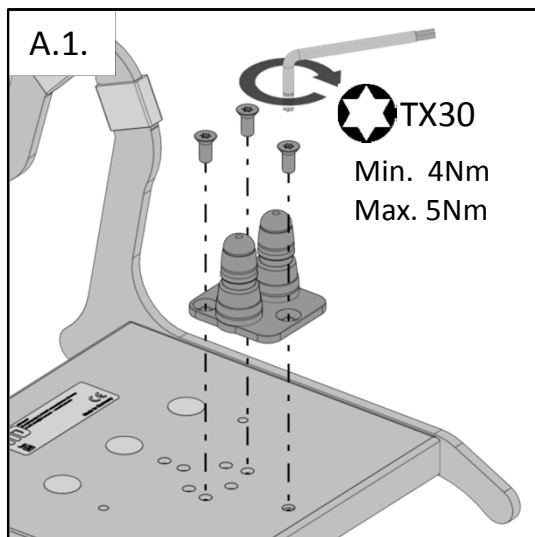
Philips-monitor MP5 (M8105A)  
 Philips-monitor MX400/450 (866060 / 866062)  
 Philips-monitor MX500/550 (866064 / 866066)

**B**

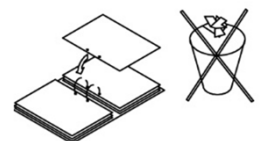
Philips-monitor MP20/30 (M8001A / M8002A)  
 Philips-monitor MP40/50 (M8003A / M8004A)

**C**

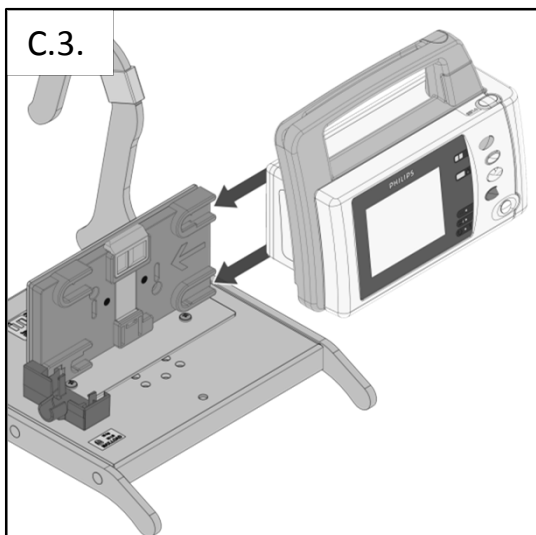
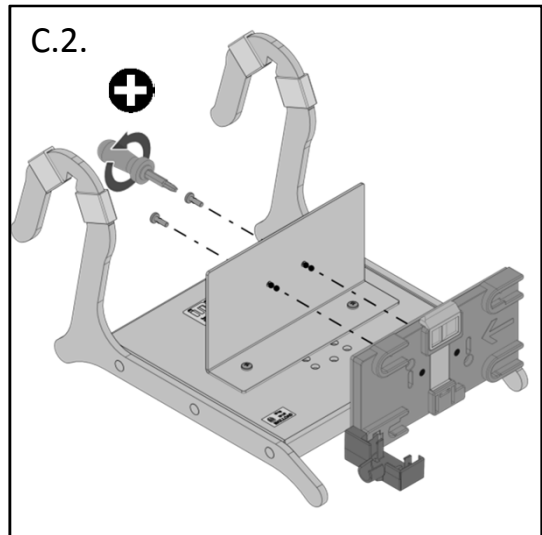
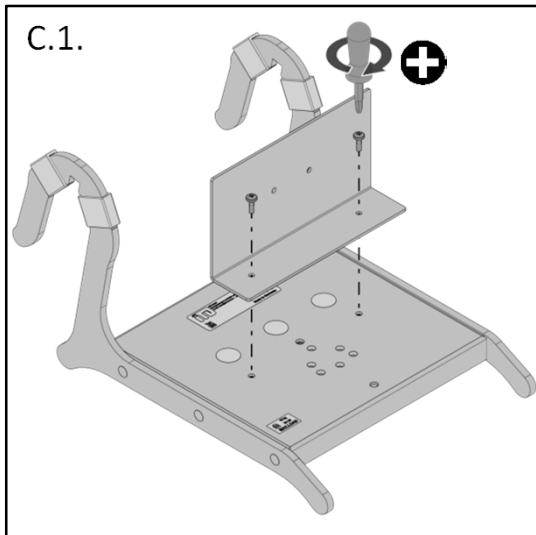
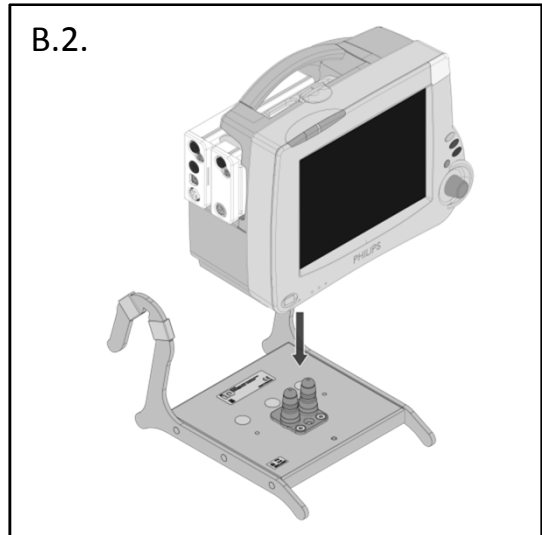
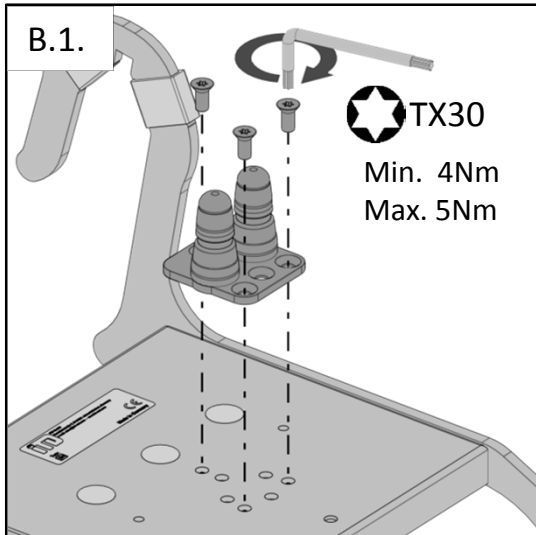
Philips-monitor MP2/X2 (M8102A/M3002A)



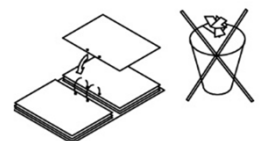
**ITD GmbH**  
 Sportplatzstraße 3 - 84381 Johanniskirchen - Germany  
 Tel. +49-89-61 44 25-0 - Fax +49-89-61 44 25-20  
 sales@itd-cart.com - www.itd-cart.com



MA.0602.799  
 000/ 29.10.2014



**ITD GmbH**  
Sportplatzstraße 3 - 84381 Johanniskirchen - Germany  
Tel. +49-89-61 44 25-0 - Fax +49-89-61 44 25-20  
sales@itd-cart.com - www.itd-cart.com



MA.0602.799  
000/ 29.10.2014