

DICOM Conformance Statement

DuraDiagnost 4.1



Issued by:

Philips Medical Systems Nederland BV, a Philips Healthcare company,

P.O. Box 10.000
5680 DA Best
The Netherlands

Internet: <https://www.usa.philips.com/healthcare/about/customer-support>

Document Number: ICAP-PF.0043907

Date: 11-Nov-2019

1. DICOM Conformance Statement Overview

This document is the DICOM Conformance Statement for the Philips Medical Systems DuraDiagnost 4.1. Supported Networking DICOM Services, (SOP) Classes is provided with roles (User/Provider) can be found below in Table 1.

The figure below shows the position of the DuraDiagnost 4.1 in a radiology environment.

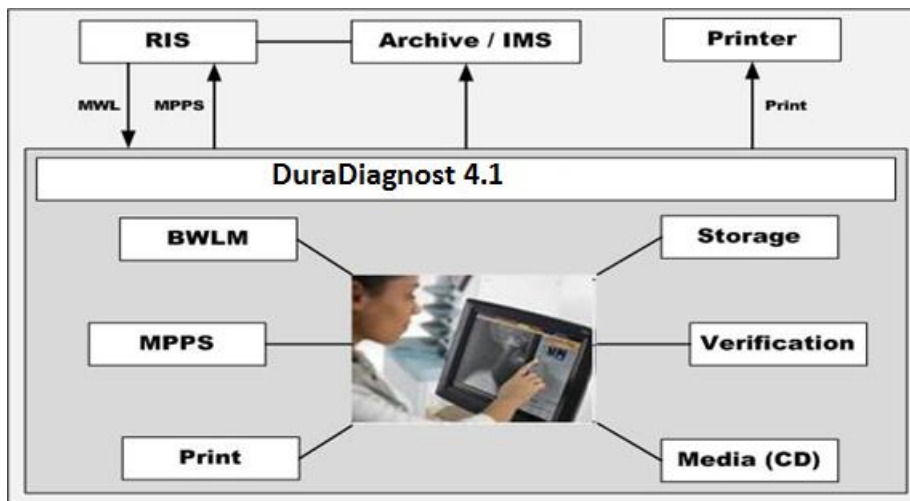


Figure 1: DuraDiagnost 4.1 in a DICOM network.

DuraDiagnost 4.1 is an embedded modality system for DICOM images. It provides the DICOM services:

- Verification of application level communication.
- Basic Worklist Management (BWLM).
- Storage of images and structured reports on a remote DICOM System.
- Commitment of stored images on a remote DICOM system (Push Model)
- Study management per Modality Performed Procedure Step (MPPS)
- Printing of hardcopies on a remote DICOM Printer.
- Storage of images per DICOM Media only on Compact Disc (CD)

A table of supported network DICOM Service (SOP) classes is provided with roles (User (SCU)/ Provider (SCP)).

Table 1: Network Services

SOP Class		User of Service (SCU)	Provider of Service (SCP)	Display
Name	UID			
Other				
Verification SOP Class	1.2.840.10008.1.1	Yes	Yes	N/A
Print Management				
Basic Grayscale Print Management Meta SOP Class	1.2.840.10008.5.1.1.9	Yes	No	N/A
>Basic Film Session SOP Class	1.2.840.10008.5.1.1.1	Yes	No	N/A
>Printer SOP Class	1.2.840.10008.5.1.1.16	Yes	No	N/A
>Basic Film Box SOP Class	1.2.840.10008.5.1.1.2	Yes	No	N/A
>Basic Grayscale Image Box SOP Class	1.2.840.10008.5.1.1.4	Yes	No	N/A
Transfer				
Computed Radiography Image Storage SOP Class	1.2.840.10008.5.1.4.1.1.1	Yes	No	N/A
Digital X-Ray Image Storage – For Pres. SOP	1.2.840.10008.5.1.4.1.1.1.1	Yes	No	N/A

SOP Class		User of Service (SCU)	Provider of Service (SCP)	Display
Name	UID			
Digital X-Ray Image Storage – For Proc. SOP	1.2.840.10008.5.1.4.1.1.1.1.1	Yes	No	N/A
Secondary Capture Image Storage SOP Class	1.2.840.10008.5.1.4.1.1.7	Yes	No	N/A
X-Ray Radiation Dose SR	1.2.840.10008.5.1.4.1.1.88.67	Yes	No	N/A
Workflow Management				
Storage Commitment Push Model SOP Class	1.2.840.10008.1.20.1	Yes	No	N/A
Modality Performed Procedure Step SOP Class	1.2.840.10008.3.1.2.3.3	Yes	No	N/A
Modality Worklist Information Model - FIND SOP Class	1.2.840.10008.5.1.4.31	Yes	No	N/A

Table 2: Media Services

Media Storage Application Profile	File-set Creator (FSC)	File-set Updater (FSU)	File-set Reader (FSR)
Compact Disk-Recordable			
General Purpose CD-R Interchange	Yes	No	No
General Purpose Secure CD-R Interchange	Yes	No	No
DVD			
General Purpose DVD Interchange with JPEG	Yes	No	No
General Purpose Secure DVD Interchange with JPEG	Yes	No	No

2. Table of Contents

1.	DICOM CONFORMANCE STATEMENT OVERVIEW	3
2.	TABLE OF CONTENTS	5
3.	INTRODUCTION	7
3.1.	REVISION HISTORY	7
3.2.	AUDIENCE	7
3.3.	REMARKS	7
3.4.	DEFINITIONS, TERMS AND ABBREVIATIONS.....	7
3.5.	REFERENCES.....	8
4.	NETWORKING	9
4.1.	IMPLEMENTATION MODEL	9
4.1.1.	Application Data Flow.....	9
4.1.2.	Functional Definition of AE's	10
4.1.2.1.	Functional Definition of Eleva	10
4.1.3.	Sequencing of Real World Activities	11
4.2.	AE SPECIFICATIONS	13
4.2.1.	Eleva	13
4.2.1.1.	SOP Classes	13
4.2.1.2.	Association Policies	13
4.2.1.2.1.	General.....	13
4.2.1.2.2.	Number of Associations	13
4.2.1.2.3.	Asynchronous Nature	14
4.2.1.2.4.	Implementation Identifying Information	14
4.2.1.2.5.	Communication Failure Handling.....	14
4.2.1.3.	Association Initiation Policy	14
4.2.1.3.1.	(Real-World) Activity – Verification as SCU	16
4.2.1.3.2.	(Real-World) Activity – Modality worklist as SCU	17
4.2.1.3.3.	(Real-World) Activity – Modality Performed Procedure Step as SCU	24
4.2.1.3.4.	(Real-World) Activity – Image Export.....	30
4.2.1.3.5.	(Real-World) Activity – Structured Dose Report Export	33
4.2.1.3.6.	(Real-World) Activity – Storage Commitment Push Model AS SCU	34
4.2.1.3.7.	(Real-World) Activity – Print Management as SCU.....	36
4.2.1.4.	Association Acceptance Policy	42
4.2.1.4.1.	(Real-World) Activity – Verification as SCP	43
4.3.	NETWORK INTERFACES.....	45
4.3.1.	Physical Network Interfaces	45
4.3.2.	Additional Protocols	45
4.4.	CONFIGURATION	45
4.4.1.	AE Title/Presentation Address Mapping.....	45
4.4.1.1.	Local AE Titles.....	45
4.4.1.2.	Remote AE Title/Presentation Address Mapping.....	45
4.4.2.	Parameters.....	45
5.	MEDIA INTERCHANGE	47
5.1.	IMPLEMENTATION MODEL	47
5.1.1.	Application Data Flow Diagram	47
5.1.2.	Functional Definitions of AE's.....	47
5.1.3.	Sequencing of Real World Activities	47
5.2.	AE SPECIFICATIONS	47
5.2.1.	Media Storage Security Profiles	47
5.2.2.	Eleva Media - Specification	48
5.2.2.1.	File Meta Information for the Eleva	48
5.2.2.2.	Real-World Activities.....	48
5.2.2.2.1.	RWA - Create File-set.....	48
5.2.2.2.2.	RWA - Update File-set.....	49

5.2.2.2.3.	RWA - Display Directory	49
5.3.	AUGMENTED AND PRIVATE APPLICATION PROFILES.....	50
5.4.	MEDIA CONFIGURATION	50
6.	SUPPORT OF CHARACTER SETS.....	51
7.	SECURITY.....	52
7.1.	SECURITY PROFILES	52
7.1.1.	Security use Profiles	52
7.1.2.	Security Transport Connection Profiles	52
7.1.3.	Digital Signature Profiles	53
7.1.4.	Media Storage Security Profiles	53
7.1.5.	Attribute Confidentiality Profiles	53
7.1.6.	Network Address Management Profiles	55
7.1.7.	Time Synchronization Profiles	55
7.1.8.	Application Configuration Management Profiles.....	55
7.1.9.	Audit Trail Profiles	55
7.2.	ASSOCIATION LEVEL SECURITY.....	55
7.3.	APPLICATION LEVEL SECURITY	55
8.	ANNEXES OF APPLICATION "ELEVA"	57
8.1.	IOD CONTENTS	57
8.1.1.	Created SOP Instance	57
8.1.1.1.	List of created SOP Classes	57
8.1.1.2.	Computed Radiography Image Storage SOP Class	57
8.1.1.3.	Digital X-Ray Image Storage - For Pres. SOP	62
8.1.1.4.	Digital X-Ray Image Storage - For Proc. SOP	67
8.1.1.5.	Secondary Capture Image Storage SOP Class	73
8.1.1.6.	X-Ray Radiation Dose SR	77
8.1.1.7.	X-RAY RADIATION DOSE SR IOD TEMPLATES.....	79
8.1.1.7.1.	TID 10001 Projection X-Ray Radiation Dose.....	80
8.1.1.7.2.	TID 10002 Accumulated X-Ray Dose	81
8.1.1.7.3.	TID 10003 Irradiation Event X-Ray Data	82
8.1.1.7.4.	TID 10003a Irradiation Event X-Ray Detector Data	82
8.1.1.7.5.	TID 10003b Irradiation Event X-Ray Source Data	83
8.1.1.7.6.	TID 10004 Accumulated Projection X-Ray Dose	83
8.1.1.7.7.	TID 10007 Accumulated Total Projection Radiography Dose	83
8.1.1.7.8.	TID 1002 Observer Context.....	84
8.1.1.7.9.	TID 1004 Device Observer Identifying Attributes	84
8.1.2.	Usage of Attributes from Received IOD	84
8.1.3.	Attribute Mapping	84
8.1.4.	Coerced/Modified fields.....	85
8.2.	DATA DICTIONARY OF PRIVATE ATTRIBUTES.....	85
8.3.	CODED TERMINOLOGY AND TEMPLATES	85
8.3.1.	Context Groups	85
8.3.2.	Template Specifications	85
8.3.3.	Private code definitions	86
8.4.	GRAYSCALE IMAGE CONSISTENCY	86
8.5.	STANDARD EXTENDED/SPECIALIZED/PRIVATE SOPS.....	86
8.5.1.	Standard Extended/Specialized/Private SOP Instance	86
8.5.1.1.	Computed Radiography Image Storage SOP Class	86
8.5.1.2.	Digital X-Ray Image Storage - For Pres. SOP	87
8.5.1.3.	Digital X-Ray Image Storage - For Proc. SOP	88
8.5.1.4.	Secondary Capture Image Storage SOP Class	89
8.6.	PRIVATE TRANSFER SYNTAXES	90

3. Introduction

3.1. Revision History

The revision history provides dates and differences of the different releases.

Table 3: Revision History

Document Version	Date of Issue	Status	Description
00	11-Nov-2019	Approved	Final Version

3.2. Audience

This Conformance Statement is intended for:

- (Potential) customers
- System integrators of medical equipment
- Marketing staff interested in system functionality
- Software designers implementing DICOM interfaces

It is assumed that the reader is familiar with the DICOM standard.

3.3. Remarks

The DICOM Conformance Statement is contained in chapter 4 through 8 and follows the contents and structuring requirements of DICOM PS 3.2.

This DICOM Conformance Statement by itself does not guarantee successful interoperability of Philips equipment with non-Philips equipment. The user (or user's agent) should be aware of the following issues:

- **Interoperability**
Interoperability refers to the ability of application functions, distributed over two or more systems, to work successfully together. The integration of medical devices into an IT environment may require application functions that are not specified within the scope of DICOM. Consequently, using only the information provided by this Conformance Statement does not guarantee interoperability of Philips equipment with non-Philips equipment.
It is the user's responsibility to analyze thoroughly the application requirements and to specify a solution that integrates Philips equipment with non-Philips equipment.
- **Validation**
Philips equipment has been carefully tested to assure that the actual implementation of the DICOM interface corresponds with this Conformance Statement.
Where Philips equipment is linked to non-Philips equipment, the first step is to compare the relevant Conformance Statements. If the Conformance Statements indicate that successful information exchange should be possible, additional validation tests will be necessary to ensure the functionality, performance, accuracy and stability of image and image related data. It is the responsibility of the user (or user's agent) to specify the appropriate test suite and to carry out the additional validation tests.
- **New versions of the DICOM Standard**
The DICOM Standard will evolve in future to meet the user's growing requirements and to incorporate new features and technologies. Philips is actively involved in this evolution and plans to adapt its equipment to future versions of the DICOM Standard. In order to do so, Philips reserves the right to make changes to its products or to discontinue its delivery. The user should ensure that any non-Philips provider linking to Philips equipment also adapts to future versions of the DICOM Standard. If not, the incorporation of DICOM enhancements into Philips equipment may lead to loss of connectivity (in case of networking) and incompatibility (in case of media).

3.4. Definitions, Terms and Abbreviations

Table 4: Definitions, Terms and Abbreviations

Abbreviation/Term	Explanation
AE	Application Entity
AP	Application Profile
CD	Compact Disc
CD-R	CD-Recordable
CR	Computed Radiography
DICOM	Digital Imaging and Communications in Medicine
DX	Digital X-Ray
EBE	DICOM Explicit VR Big Endian
ELE	DICOM Explicit VR Little Endian
FSC	File-set Creator
FSR	File-set Reader
FSU	File-set Updater
ILE	DICOM Implicit VR Little Endian
IOD	Information Object Definition
MPPS	Modality Performed Procedure Step
NEMA	National Electrical Manufacturers Association
OT	Other
PDU	Protocol Data Unit
RIS	Radiology Information System
RWA	Real-World Activity
SC	Secondary Capture
SCM	Study Component Management
SCP	Service Class Provider
SCU	Service Class User
SOP	Service Object Pair
TCP/IP	Transmission Control Protocol/Internet Protocol
UID	Unique Identifier
WLM	Worklist Management

3.5. References

[DICOM] Digital Imaging and Communications in Medicine, Parts 1 - 21 (NEMA PS 3.1- PS 3.21), National Electrical Manufacturers Association (NEMA)

Publication Sales 1300 N. 17th Street, Suite 900 Rosslyn, Virginia. 22209, United States of America

Internet: <https://www.dicomstandard.org/>

4. Networking

4.1. Implementation model

The implementation model consists of three sections:

- The application data flow diagram, specifying the relationship between the Application Entities and the "external world" or Real-World Activities,
- A functional description of each Application Entity, and
- The sequencing constraints among them.

4.1.1. Application Data Flow

The DuraDiagnost 4.1 system consists of one application entity i.e. DuraDiagnost 4.1 Entity (Eleva AE).

The figure 2 shows the networking application data flow as a functional overview of the Eleva AE.

It incorporates the following functionality:

The Eleva AE can verify application level communication by using the Verification service both as SCU and SCP.

The Eleva AE can request a worklist by using the Basic Worklist Management service as SCU.

The Eleva AE can store images and structured reports by using the Storage service as SCU and use the Storage-Commitment SOP Class perform storage-commit as SCU.

The Eleva AE can compose the Modality Performed Procedure Step by using the Study Management service as SCU.

The Eleva AE can print images by using the Print Management service as SCU Eleva AE.

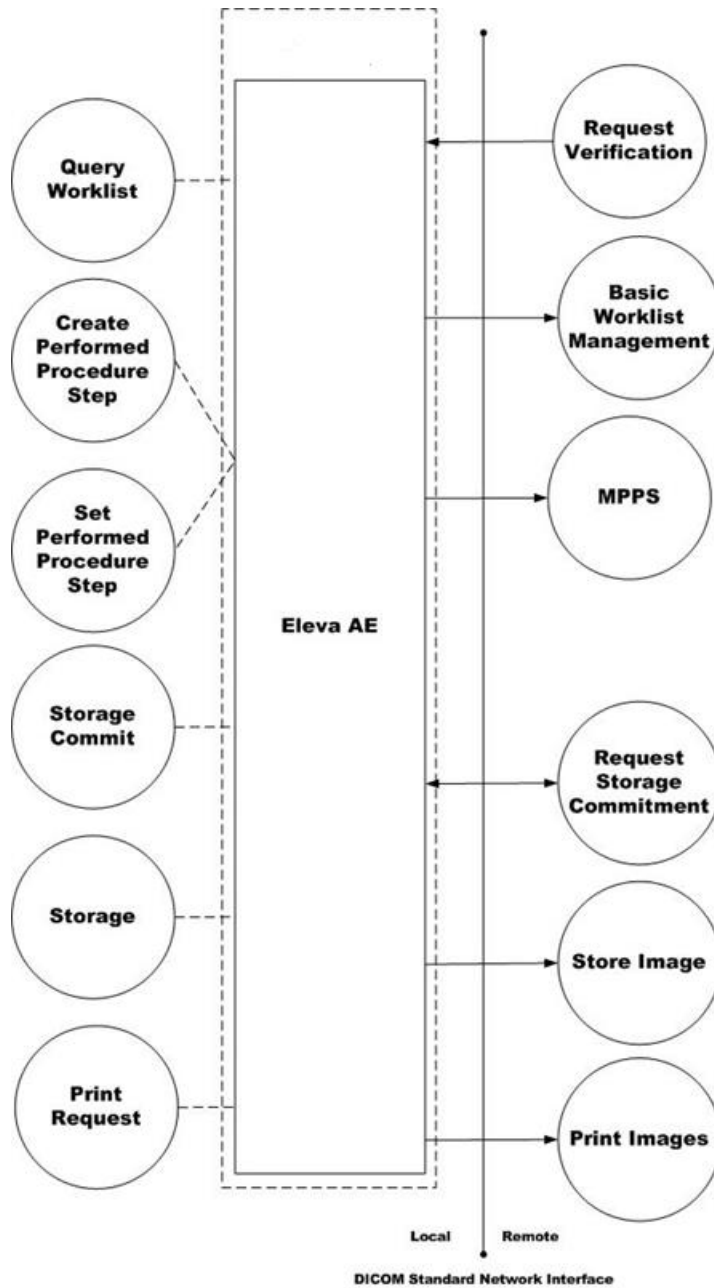


Figure 2: Application Data Flow Diagram

4.1.2. Functional Definition of AE's

This section contains a functional definition for each individual local Application Entity.

4.1.2.1. Functional Definition of Eleva

The Eleva AE is the one and only entity within the DuraDiagnost 4.1. It includes the following service classes.

Verification Service Class

The Eleva AE provides the Verification service both as SCP and SCU.

A remote SCU shall request an association with the Eleva AE for Verification SOP class. After accepting the association the Eleva AE shall receive and respond to the Verification request and release the association when requested.

After initiating the Verify, the Eleva AE shall request an association with the selected remote SCP for the Verification SOP class. After accepting the association the Eleva AE shall send the verify request, wait for response, and then release the association.

The user interface shall inform on the status of the verification.

Basic Worklist Management Service Class

The Eleva AE may use the Basic Worklist Management service as SCU.

After initiating the worklist query the Eleva AE shall request an association with the configured remote Basic Worklist Management SCP. After accepting the association the Eleva AE shall send the find request, wait for response, and then release the association. The user interface shall be updated with the query results.

Storage Service Class

The Eleva AE may use the Storage service as SCU.

During or after a performed procedure step the Eleva AE shall store the related images at the configured Storage SCP. It shall request an association with the remote Storage SCP for the applicable Storage SOP classes. After accepting the association the Eleva AE shall send the store request, wait for response, and then release the association.

After successful storage the user interface shall be updated accordingly and in case of failure, the error is notified and logged with the option to redo the job.

Storage Commitment Service Class

The Eleva AE may use the Storage Commitment service as SCU.

If storage commitment is configured, then, after Store images, the Eleva AE shall automatically request commitment of images at the configured Storage Commitment SCP. It shall request an association with the remote Storage Commitment SCP for the Storage Commitment SOP class. After accepting the association the Eleva AE shall send the action request, wait for response, and then release the association.

Depending on the configuration the storage commitment report may be received either synchronous or asynchronous.

In case of a storage commitment failure, the error is notified and logged.

Basic Grayscale Print Management Meta Class

The Eleva AE may use the Basic Grayscale Print Management service as SCU.

During or after a performed procedure step, the Eleva AE shall request printing of the images by the configured Print SCP. It shall request an association with the remote Print SCP for the Basic Grayscale Print Management SOP class. After accepting the association the Eleva AE shall send the requests, wait for responses, and then release the association.

Depending on the status and the configuration the Eleva AE may retry to print.

Modality Performed Procedure Step Service Class

The Eleva AE may use the Modality Performed Procedure Step service as SCU.

After performing a procedure step the Eleva AE shall request an association with the configured remote Study Management SCP.

After accepting the association the Eleva AE shall send a create request, wait for response, and then release the association.

Next the Eleva AE shall request a new association to send a set request, and after response, release the association.

Depending on the status of creates and set and the configuration the Eleva AE may perform a retry.

The user interface shall be updated with the performed procedure step status.

4.1.3. Sequencing of Real World Activities

The figure 3 shows a typical sequence of an examination using a worklist.

The user updates the worklist (query Worklist) and then selects and opens an examination. When the user starts the examination (acquiring the first image), the RIS is notified (Create Performed Procedure Step).

After the user performs an acquisition (image 1-N) per default the image is sent to archive (Store Image) and printer (Print Image) simultaneously. Finally, when closing the examination, the RIS is notified to update the data of the examination (Set Performed Procedure Step).

Note that Print Image will send images to the printer only when enough images were received to fulfill the configured printer format or when the print job is flushed manually.

When the last image of an examination is received the print job will be flushed automatically.

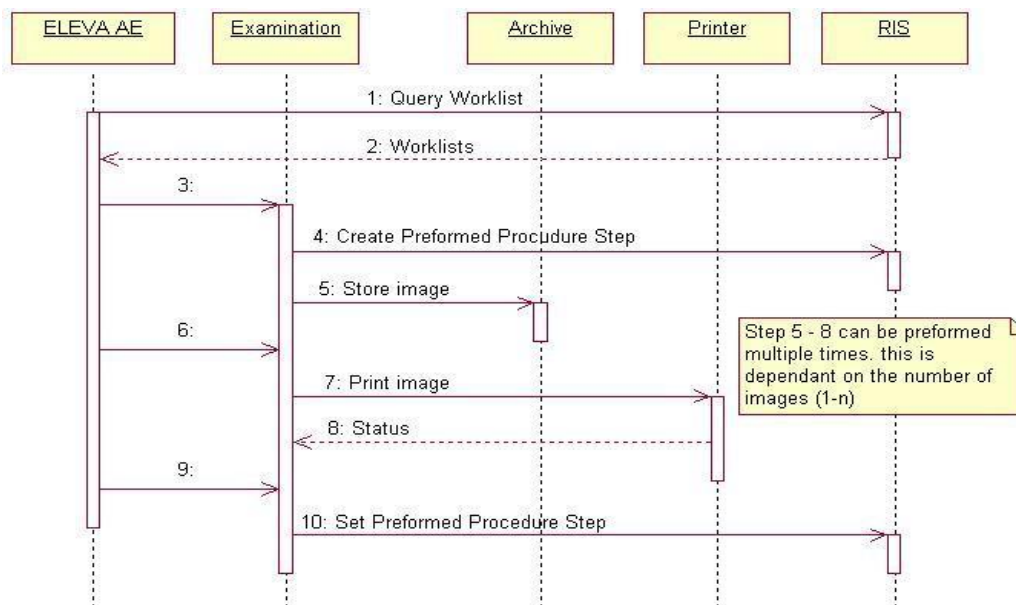


Figure 3: Sequence of an examination

4.2. AE Specifications

This section in the DICOM Conformance Statement is Application Entity specifications. There is only one AE is in the implementation.

4.2.1. Eleva

Detail of this specific Application Entity is specified in this section.

4.2.1.1. SOP Classes

This Application Entity provides Standard Conformance to the following SOP Classes.

Table 5: SOP Classes for DuraDiagnost

SOP Class Name	SOP Class UID	SCU	SCP
Verification SOP Class	1.2.840.10008.1.1	Yes	Yes
Storage Commitment Push Model SOP Class	1.2.840.10008.1.20.1	Yes	No
Modality Performed Procedure Step SOP Class	1.2.840.10008.3.1.2.3.3	Yes	No
Computed Radiography Image Storage SOP Class	1.2.840.10008.5.1.4.1.1.1	Yes	No
Digital X-Ray Image Storage - For Pres. SOP	1.2.840.10008.5.1.4.1.1.1.1	Yes	No
Digital X-Ray Image Storage - For Proc. SOP	1.2.840.10008.5.1.4.1.1.1.1.1	Yes	No
Secondary Capture Image Storage SOP Class	1.2.840.10008.5.1.4.1.1.7	Yes	No
X-Ray Radiation Dose SR	1.2.840.10008.5.1.4.1.1.88.67	Yes	No
Modality Worklist Information Model - FIND SOP Class	1.2.840.10008.5.1.4.31	Yes	No
Basic Grayscale Print Management Meta SOP Class	1.2.840.10008.5.1.1.9	Yes	No
>Basic Film Session SOP Class	1.2.840.10008.5.1.1.1	Yes	No
>Printer SOP Class	1.2.840.10008.5.1.1.16	Yes	No
>Basic Film Box SOP Class	1.2.840.10008.5.1.1.2	Yes	No
>Basic Grayscale Image Box SOP Class	1.2.840.10008.5.1.1.4	Yes	No

4.2.1.2. Association Policies

Each AE specification contains a description of the general association establishment and acceptance policies of the AE.

4.2.1.2.1. General

The DICOM standard application context is specified below.

Table 6: DICOM Application Context

Description	Value
Application Context Name	1.2.840.10008.3.1.1.1

4.2.1.2.2. Number of Associations

The number of simultaneous associations that an Application Entity may support as an Initiator or Acceptor is specified here.

Table 7: Number of associations as an Association Initiator for this AE

Description	Value
Maximum number of simultaneous associations	3

Table 8: Number of associations as an Association Acceptor for this AE

Description	Value
Maximum number of simultaneous associations	20

4.2.1.2.3. Asynchronous Nature

The implementation supports negotiation of multiple outstanding transactions, along with the maximum number of outstanding transactions supported.

Table 9: Asynchronous nature as an Association Initiator for this AE

Description	Value
Maximum number of outstanding asynchronous transactions	No enforced limit

4.2.1.2.4. Implementation Identifying Information

The value supplied for Implementation Class UID and version name are documented here.

Table 10: DICOM Implementation Class and Version for Eleva

Implementation Class UID	1.3.46.670589.30.41.0
Implementation Version Name	PMS_ELEVA_41.0

4.2.1.2.5. Communication Failure Handling

The behavior of the AE during communication failure is summarized in the next table.

Table 11: Communication Failure Behavior

Exception	Behavior
Timeout	The Association is aborted using A-ABORT and the command is marked as failed. The reason is logged and reported to the user.
Association aborted	The command is marked as failed. The reason is logged and reported to the user.

4.2.1.3. Association Initiation Policy

The Application Entity will respond to a received Association rejection as shown in the next table.

Table 12: Association Rejection response

Result	Source	Reason/Diagnosis	Behavior
1 - rejected-permanent	1 - DICOM UL service-user	1 - no-reason-given	Association is not established. The following error is logged. Association rejected by peer (1: REJECT_RESULT_permanent, 1: REJECT_SOURCE_dul_user, 1: REJECT-REASON_no_reason_given)
		2 - application-context-name-not supported	Association is not established. The following error is logged. Association rejected by peer (1: REJECT_RESULT_permanent, 1: REJECT_SOURCE_dul_user, 2: REJECT-REASON_application_context_not_support)
		3 - calling-AE-title-not-recognized	Association is not established. The following error is logged. Association rejected by peer (1: REJECT_RESULT_permanent, 1: REJECT_SOURCE_dul_user, 3: REJECT-REASON_calling_aetitle_not_recognized)
		7 - called-AE-title-not-recognized	Association is not established. The following error is logged. Association rejected by peer (1: REJECT_RESULT_permanent, 1: REJECT_SOURCE_dul_user, 7: REJECT-REASON_called_aetitle_not_recognized)

Result	Source	Reason/Diagnosis	Behavior
	2 - DICOM UL service-provider (ACSE related function)	1 - no-reason-given	Association is not established. The following error is logged. Error: UserRecoverable: impl.dicom.access.PEER: Association rejected by peer (1: REJECT_RESULT_permanent, 2: REJECT_SOURCE_dul_provider (acse), 1: REJECT-REASON_no_reason_given)
		2 - protocol-version-not-supported	Association is not established. The following error is logged. Association rejected by peer (1: REJECT_RESULT_permanent, 2: REJECT_SOURCE_dul_provider (acse), 2: REJECT-REASON_application_context_not support)
	3 - DICOM UL service-provider (Presentation related function)	1 - temporary-congestion	Association is not established. The following error is logged. Association rejected by peer (1: REJECT_RESULT_permanent, 3: REJECT_SOURCE_dul_provider (presentation), 1: REJECT-REASON_no_reason_given)
		2 - local-limit-exceeded	Association is not established. The following error is logged. Association rejected by peer (1: REJECT_RESULT_permanent, 3: REJECT_SOURCE_dul_provider (presentation), 2: REJECT-REASON_application_context_not support)
2 - rejected-transient	1 - DICOM UL service-user	1 - no-reason-given	Association is not established. The following error is logged. Association rejected by peer (2: REJECT_RESULT_transient, 1: REJECT_SOURCE_dul_user, 1: REJECT-REASON_no_reason_given)
		2 - application-context-name-not-supported	Association is not established. The following error is logged. Association rejected by peer (2: REJECT_RESULT_transient, 1: REJECT_SOURCE_dul_user, 2: REJECT-REASON_application_context_not-support)
		3 - calling-AE-title-not-recognized	Association is not established. The following error is logged. Association rejected by peer (2: REJECT_RESULT_transient, 1: REJECT_SOURCE_dul_user, 3: REJECT-REASON_calling_aetitle_not_recognized)
		7 - called-AE-title-not-recognized	Association is not established. The following error is logged. Association rejected by peer (2: REJECT_RESULT_transient, 1: REJECT_SOURCE_dul_user, 7: REJECT-REASON_called_aetitle_not_recognized)
	2 - DICOM UL service-provider (ACSE related function)	1 - no-reason-given	Association is not established. The following error is logged. Association rejected by peer (2: REJECT_RESULT_transient, 2: REJECT_SOURCE_dul_provider (acse), 1: REJECT-REASON_no_reason_given)
		2 - protocol-version-not-supported	Association is not established. The following error is logged. Association rejected by peer (2: REJECT_RESULT_transient, 2: REJECT_SOURCE_dul_provider (acse), 2: REJECT-REASON_application_context_not support)
	3 - DICOM UL service-provider (Presentation related function)	1 - temporary-congestion	Association is not established. The following error is logged. Association rejected by peer (2: REJECT_RESULT_transient, 3: REJECT_SOURCE_dul_provider (presentation), 1: REJECT-REASON_no_reason_given)
		2 - local-limit-exceeded	Association is not established. The following error is logged. Association rejected by peer (2: REJECT_RESULT_transient, 3: REJECT_SOURCE_dul_provider (presentation), 2: REJECT-REASON_application context not support)

The behavior of the AE on receiving an Association abort is summarized in the next table.

Table 13: Association Abort Handling

Source	Reason/Diagnosis	Behavior
0 - DICOM UL service-user (initiated abort)	0 - reason-not-specified	When received, the Eleva Workspot terminates the connection with the following log: Association ABORTED by peer (0: ABORTED_SOURCE_dul_user, 0: ABORT_REASON_not_specified).
2 - DICOM UL service-provider (initiated abort)	0 - reason-not-specified	When received, the Eleva Workspot terminates the connection with the following log: Association ABORTED by peer (2: ABORTED_SOURCE_dul_provider, 0: ABORT_REASON_not_specified).
	1 - unrecognized-PDU	When received, the Eleva Workspot terminates the connection with the following log: Association ABORTED by peer (2: ABORTED_SOURCE_dul_provider, 1: ABORT_REASON_unrecognized_pdu).
	2 - unexpected-PDU	When received, the Eleva Workspot terminates the connection with the following log: Association ABORTED by peer (2: ABORTED_SOURCE_dul_provider, 2: ABORT_REASON_unexpected_pdu).

Source	Reason/Diagnosis	Behavior
	4 - unrecognized-PDU-parameter	When received, the Eleva Workspot terminates the connection with the following log: Association ABORTED by peer (2: ABORTED_SOURCE_dul_provider, 4: ABORT_REASON_unrecognized_pdu_parameter).
	5 - unexpected-PDU-parameter	When received, the Eleva Workspot terminates the connection with the following log: Association ABORTED by peer (2: ABORTED_SOURCE_dul_provider, 5: ABORT_REASON_unexpected_pdu_parameter).
	6 - invalid-PDU-parameter-value	When received, the Eleva Workspot terminates the connection with the following log: Association ABORTED by peer (2: ABORTED_SOURCE_dul_provider, 6: ABORT_REASON_invalid_pdu_parameter).

The behavior of the AE on receiving an association abort is summarized in next table.

Table 14: DICOM Command Communication Failure Behavior

Exception	Behavior
Timeout	The Association is aborted using A-ABORT and command marked as failed. The reason is logged and reported to the user.
Association aborted	The command is marked as failed. The reason is logged and reported to the user.

4.2.1.3.1. (Real-World) Activity – Verification as SCU

4.2.1.3.1.1. Description and Sequencing of Activities

On the system, the dialogue is placed in System->Settings->Quality assurance->DICOM verification.
 The verification can be performed for each configured AET and is part 3 in an incremental 3-step-test:

- Ping (IP level)
- DICOM Association establishment
- DICOM Verification

The result on each level is displayed (OK / Failed).

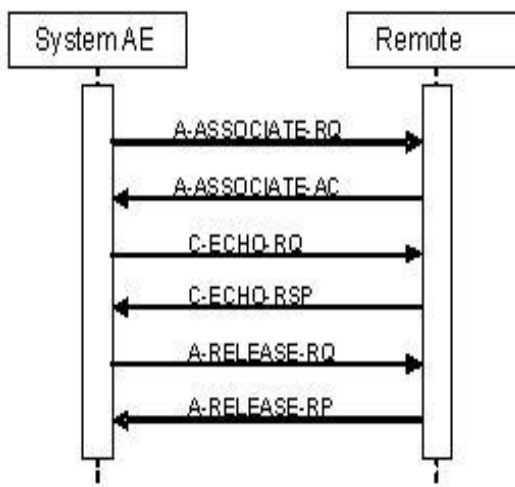


Figure 4: (Real World) Activity - Verification as SCU

4.2.1.3.1.2. Proposed Presentation Contexts

The presentation contexts are defined in the next table.

Table 15: Proposed Presentation Contexts for (Real-World) Activity – Verification as SCU

Presentation Context Table					
Abstract Syntax		Transfer Syntax		Role	Extended Negotiation
Name	UID	Name List	UID List		
Verification SOP Class	1.2.840.10008.1.1	Explicit VR Big Endian	1.2.840.10008.1.2.2	SCU	None
		Explicit VR Little Endian	1.2.840.10008.1.2.1		
		Implicit VR Little Endian	1.2.840.10008.1.2		

4.2.1.3.1.3. SOP Specific Conformance for Verification SOP Class

This section and sub-section include the manufacturer SOP and Dataset specific information as well the status codes and their corresponding behavior.

4.2.1.3.1.3.1. Dataset Specific Conformance for Verification C-ECHO SCU

Detail regarding the Dataset Specific response behavior will be reported in this section.

4.2.1.3.2. (Real-World) Activity – Modality worklist as SCU

4.2.1.3.2.1. Description and Sequencing of Activities

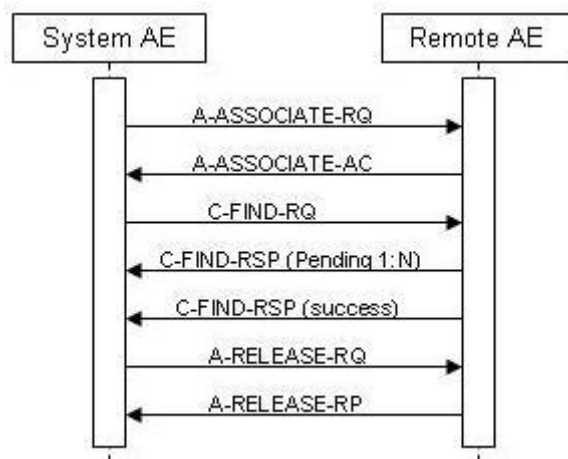


Figure 5: (Real World) Activity - Modality Worklist as SCU

For each Broad or specific Worklist request, an association towards the Basic Worklist Management SCP is established and a C-FIND request is transmitted. The Broad query can be configured with a combination of the Matching Keys:

- Scheduled Station AE Title
- Scheduled Procedure Step Start Date
- Modality

Each of the matching keys is optional. The association will be closed on reception of the last C-FIND response. The Worklist Query result is displayed in the Patient List.

The query is interruptible if it was triggered by the user.

After clicking the Query Worklist button the Eleva AE shall request an association with the configured remote Basic Worklist Management SCP. When the association is accepted the Eleva AE shall send the Broad Query find request, wait for response and then release the association.

This RWA may be initiated in two ways.

After clicking the Query Worklist button the Eleva AE shall request and association with the configured remote Basic Worklist Management SCP. When the association is accepted the Eleva AE shall send the Broad Query find request, wait for response and the release the association.

After clicking the Patient Query button - entering and confirming the matching key values - the Eleva AE shall request an association with the configured remote Basic Worklist Management SCP. When the association is accepted the Eleva AE shall send the patient query find request, wait for response, and then release the association.

Optionally the Broad Query may also be performed automatically in the system background. The time interval between subsequent background queries is configurable. Manual and automatic background queries are serialized and do not interfere with another.

4.2.1.3.2.2. Proposed Presentation Contexts

The presentation contexts are defined in the next table.

Table 16: Proposed Presentation Contexts for (Real-World) Activity – Modality worklist As SCU

Presentation Context Table					
Abstract Syntax		Transfer Syntax		Role	Extended Negotiation
Name	UID	Name List	UID List		
Modality Worklist Information Model - FIND SOP Class	1.2.840.10008.5.1.4.31	Explicit VR Big Endian	1.2.840.10008.1.2.2	SCU	None
		Explicit VR Little Endian	1.2.840.10008.1.2.1		
		Implicit VR Little Endian	1.2.840.10008.1.2		

4.2.1.3.2.3. SOP Specific Conformance for Modality Worklist Information Model - FIND SOP Class

This section includes the SOP specific behavior, i.e. error codes, error and exception handling, time-outs, etc.

Behavior of an Application Entity SOP class is summarized as shown in next Table.

The standard as well as the manufacturer specific status codes and their corresponding behavior are specified.

4.2.1.3.2.3.1. Dataset Specific Conformance for Patient Query

The table below should be read as follows:

- Attribute Name: Attributes supported to build a Modality Worklist Request Identifier.
- Tag: DICOM tag for this attribute.
- VR: DICOM VR for this attribute.
- M: Matching Keys for (automatic) Worklist Update.
- R: Return Keys. An "X" will indicate that this attribute as matching key can be used.
- Q: Interactive Query Key. An "X" will indicate that this attribute as matching key can be used.
- D: Displayed Keys. An "X" indicates that this Worklist attribute is displayed o the user during a patient registration dialog.
- IOD: An "X" indicates that this Worklist attribute is included into all object Instances created during performance of the related Procedure Step.
- Type of matching: The following types of matching exists:
 - Single Value Matching
 - List of UID Matching
 - Wild Card Matching
 - Range Matching
 - Sequence Matching
 - Universal Matching

Table 17: Worklist Request Identifier

Attribute Name	Tag	VR	M	R	Q	D	IOD	Type of Matching	Comment
Patient Identification Module									
Other Patient IDs	0010,1000	LO		X					
Patient ID	0010,0020	LO	X	X	X	X		Single Value, Universal	

Attribute Name	Tag	VR	M	R	Q	D	IOD	Type of Matching	Comment
Patient's Name	0010,0010	PN	X	X	X	X		Single Value, Universal, WildCard	
Issuer of Patient ID	0010,0021	LO		X					
Patient Demographic Module									
Confidentiality Constraint on Patient Data Description	0040,3001	LO		X		X			
Ethnic Group	0010,2160	SH		X		X			
Occupation	0010,2180	SH		X		X			
Patient Comments	0010,4000	LT		X		X			
Patient's Age	0010,1010	AS							
Patient's Birth Date	0010,0030	DA		X		X			
Patient's Sex	0010,0040	CS		X		X			
Patient's Size	0010,1020	DS		X		X			
Patient's Weight	0010,1030	DS		X		X			
Patient Medical Module									
Additional Patient History	0010,21B0	LT		X		X			
Allergies	0010,2110	LO		X		X			
Medical Alerts	0010,2000	LO		X		X			
Patient State	0038,0500	LO		X		X			
Pregnancy Status	0010,21C0	US		X		X			
Special Needs	0038,0050	LO		X					
Visit Status Module									
Current Patient Location	0038,0300	LO		X					
SOP Common Module									
Specific Character Set	0008,0005	CS		X			X		If configured
Scheduled Procedure Step Module									
Scheduled Procedure Step Sequence	0040,0100	SQ		X					
>Comments on the Scheduled Procedure Step	0040,0400	LT		X					
>Modality	0008,0060	CS	X	X	X			Single Value, Universal	SOP Classes: CR, DX, OT, US, MG, RF, XA, NM
>Pre-Medication	0040,0012	LO		X					
>Requested Contrast Agent	0032,1070	LO		X				Single Value, Universal	
>Scheduled Performing Physician's Name	0040,0006	PN		X					
>Scheduled Procedure Step Description	0040,0007	LO		X		X			
>Scheduled Procedure Step End Date	0040,0004	DA		X					
>Scheduled Procedure Step End Time	0040,0005	TM		X					
>Scheduled Procedure Step ID	0040,0009	SH		X					
>Scheduled Procedure Step Location	0040,0011	SH		X					
>Scheduled Procedure Step Start Date	0040,0002	DA	X	X	X	X			
>Scheduled Procedure Step Start Time	0040,0003	TM		X		X			
>Scheduled Procedure Step Status	0040,0020	CS		X					
>Scheduled Station AE Title	0040,0001	AE	X	X	X			Single Value, Universal	Value: All, Today, Today+Tomorrow, Today+Yesterday, Today+Yesterday+Tomorrow
>Scheduled Station Name	0040,0010	SH		X					
>Scheduled Protocol Code Sequence	0040,0008	SQ		X					

Attribute Name	Tag	VR	M	R	Q	D	IOD	Type of Matching	Comment
>>Code Meaning	0008,0104	LO		X					
>>Code Value	0008,0100	SH		X					
>>Coding Scheme Designator	0008,0102	SH		X					
>>Coding Scheme Version	0008,0103	SH		X					
Requested Procedure Module									
Names of Intended Recipients of Results	0040,1010	PN		X					
Patient Transport Arrangements	0040,1004	LO		X					
Reason for the Requested Procedure	0040,1002	LO		X					
Requested Procedure Comments	0040,1400	LT		X					
Requested Procedure Description	0032,1060	LO		X		X			
Requested Procedure ID	0040,1001	SH	X	X				Single Value, Universal	
Requested Procedure Priority	0040,1003	SH		X					
Study Instance UID	0020,000D	UI		X					
Referenced Study Sequence	0008,1110	SQ		X					
>Referenced SOP Class UID	0008,1150	UI		X					
>Referenced SOP Instance UID	0008,1155	UI		X					
Requested Procedure Code Sequence	0032,1064	SQ		X					
>Code Meaning	0008,0104	LO		X					
>Code Value	0008,0100	SH		X					
>Coding Scheme Designator	0008,0102	SH		X					
>Coding Scheme Version	0008,0103	SH		X					
Imaging Service Request Module									
Accession Number	0008,0050	SH	X	X	X	X		Single Value, Universal	
Imaging Service Request Comments	0040,2400	LT		X					
Issue Date of Imaging Service Request	0040,2004	DA		X					
Reason for the Imaging Service Request (retired)	0040,2001	LO		X					
Referring Physician's Name	0008,0090	PN		X					
Requesting Physician	0032,1032	PN		X					
Requesting Service	0032,1033	LO		X					

This part of the section includes the dataset specific behavior, i.e. error codes, error and exception handling, time-outs, etc.

Table 18: Status Response

Service Status	Error Code	Further Meaning	Behavior
Success	0000	Matching is complete	The worklist is updated.
Failure	A700	Refused - Out of resources	The association is released. The reason is logged.
	A900	Failed - Identifier does not match SOP Class	The association is released. The reason is logged.
	Cxxx	Failed - Unable to process	The association is released. The reason is logged.
Cancel	FE00	Matching terminated due to cancel request	The association is released. The reason is logged.
Pending	FF00	Matches are continuing - Current match is supplied and any optional keys were supported in the same manner as required keys	The query Worklist job continues.
	FF01	Matches are continuing - Warning that one or more optional keys were not supported for existence and/or matching for this identifier	The Query Worklist job continues.

Table 19: DICOM Command Communication Failure Behavior

Exception	Behavior
RIS query timeout (default 240 seconds)	The association is aborted using A_ABORT and command marked as failed. The reason is logged and reported to the user.
Association aborted	The command is marked as failed. The reason is logged and reported to the user.

Patient and Study Merge:

The ELEVA AE looks in its internal database for a Study with the same Study Instance UID (0020,000D) as given in the Scheduled Procedure Step.

If a Study Instance UID match was not found, it looks for a Patient with the same Patient ID (0010,0020) as given in the Scheduled Procedure Step. If no Patient match is found, a new Patient is created, using attributes from Scheduled Procedure step. If Patient with a matching Patient ID was found, attributes are updated for the internal Patient, based on the attributes as given in the Scheduled Procedure Step. A new Study with a Study Instance UID as given in the Scheduled Procedure Step is created. If a Study Instance UID match was found, all Patient attributes as given in the Scheduled Procedure Step are updated in the internal database for the parent patient of this study. Study attributes are updated for the internal study based on the attributes as given in the Scheduled Procedure Step.

Scheduled Procedure Step (= Examination) Merge

If the ELEVA AE's internal database contains no SPS with Scheduled Procedure Step ID (0040,0009) identifying an incoming Scheduled Procedure Step, it creates a new one and creates an corresponding Examination referencing this Scheduled Procedure Step ID.

If the ELEVA AE's internal database contains already an SPS with the Scheduled Procedure Step ID (0040,0009) identifying an incoming Scheduled Procedure Step, the behavior depends on the corresponding Examination state. If the Examination is still "scheduled", the SPS attributes are compared to the attributes sent with the most recent WLM query. If at least one attribute differs, the scheduled Examination is deleted and re-scheduled. Manual changes the user might have performed on this Examination are lost.

If the Examination has already started, no changes are performed, and the potential changes of the incoming Scheduled Procedure Step are disregarded.

4.2.1.3.2.3.2. Dataset Specific Conformance for Broadcast Query

The table below should be read as follows:

- Attribute Name: Attributes supported to build a Modality Worklist Request Identifier.
- Tag: DICOM tag for this attribute.
- VR: DICOM VR for this attribute.
- M: Matching Keys for (automatic) Worklist Update.
- R: Return Keys. An "X" will indicate that this attribute as matching key can be used.
- Q: Interactive Query Key. An "X" will indicate that this attribute as matching key can be used.
- D: Displayed Keys. An "X" indicates that this Worklist attribute is displayed o the user during a patient registration dialog.
- IOD: An "X" indicates that this Worklist attribute is included into all object Instances created during performance of the related Procedure Step.
- Type of matching: The following types of matching exists:
 - Single Value Matching
 - List of UID Matching
 - Wild Card Matching
 - Range Matching
 - Sequence Matching
 - Universal Matching

Table 20: Worklist Request Identifier

Attribute Name	Tag	VR	M	R	Q	D	IOD	Type of Matching	Comment
Patient Identification Module									
Other Patient IDs	0010,1000	LO							
Patient ID	0010,0020	LO				X			
Patient's Name	0010,0010	PN				X			Last name, First name, Prefix, Middle name, Suffix
Issuer of Patient ID	0010,0021	LO							
Patient Demographic Module									
Confidentiality Constraint on Patient Data Description	0040,3001	LO							
Ethnic Group	0010,2160	SH							
Occupation	0010,2180	SH							
Patient Comments	0010,4000	LT							
Patient's Age	0010,1010	AS							
Patient's Birth Date	0010,0030	DA				X			
Patient's Sex	0010,0040	CS				X			
Patient's Size	0010,1020	DS							
Patient's Weight	0010,1030	DS				X			
Patient Medical Module									
Additional Patient History	0010,21B0	LT							
Allergies	0010,2110	LO							
Medical Alerts	0010,2000	LO				X			
Patient State	0038,0500	LO							
Pregnancy Status	0010,21C0	US				X			
Special Needs	0038,0050	LO							
Visit Status Module									
Current Patient Location	0038,0300	LO							
SOP Common Module									
Specific Character Set	0008,0005	CS		X			X		If Configured
Scheduled Procedure Step Module									
Scheduled Procedure Step Sequence	0040,0100	SQ							
>Comments on the Scheduled Procedure Step	0040,0400	LT							
>Modality	0008,0060	CS							SOP Classes: CR, DX, OT, US, MG, RF, XA, NM
>Pre-Medication	0040,0012	LO							
>Requested Contrast Agent	0032,1070	LO							
>Scheduled Performing Physician's Name	0040,0006	PN				X			
>Scheduled Procedure Step Description	0040,0007	LO							
>Scheduled Procedure Step End Date	0040,0004	DA							
>Scheduled Procedure Step End Time	0040,0005	TM							
>Scheduled Procedure Step ID	0040,0009	SH							
>Scheduled Procedure Step Location	0040,0011	SH							
>Scheduled Procedure Step Start Date	0040,0002	DA							Values: All, Today, Today+Tomorrow, Today+Yesterday, Today+Yesterday+Tomorrow
>Scheduled Procedure Step Start Time	0040,0003	TM							
>Scheduled Procedure Step Status	0040,0020	CS							

Attribute Name	Tag	VR	M	R	Q	D	IOD	Type of Matching	Comment
>Scheduled Station AE Title	0040,0001	AE							
>Scheduled Station Name	0040,0010	SH							
>Scheduled Protocol Code Sequence	0040,0008	SQ							
>>Code Meaning	0008,0104	LO							
>>Code Value	0008,0100	SH							
>>Coding Scheme Designator	0008,0102	SH							
>>Coding Scheme Version	0008,0103	SH							
Requested Procedure Module									
Names of Intended Recipients of Results	0040,1010	PN							
Patient Transport Arrangements	0040,1004	LO							
Reason for the Requested Procedure	0040,1002	LO							
Requested Procedure Comments	0040,1400	LT							
Requested Procedure Description	0032,1060	LO							
Requested Procedure ID	0040,1001	SH							
Requested Procedure Priority	0040,1003	SH							
Study Instance UID	0020,000D	UI							
Referenced Study Sequence	0008,1110	SQ							
>Referenced SOP Class UID	0008,1150	UI							
>Referenced SOP Instance UID	0008,1155	UI							
Requested Procedure Code Sequence	0032,1064	SQ							
>Code Meaning	0008,0104	LO							
>Code Value	0008,0100	SH							
>Coding Scheme Designator	0008,0102	SH							
>Coding Scheme Version	0008,0103	SH							
Imaging Service Request Module									
Accession Number	0008,0050	SH				X			
Imaging Service Request Comments	0040,2400	LT							
Issue Date of Imaging Service Request	0040,2004	DA							
Reason for the Imaging Service Request (retired)	0040,2001	LO							
Referring Physician's Name	0008,0090	PN				X			
Requesting Physician	0032,1032	PN				X			
Requesting Service	0032,1033	LO							

This part of the section includes the dataset specific behavior, i.e. error codes, error and exception handling, time-outs, etc.

Table 21: Status Response

Service Status	Error Code	Further Meaning	Behavior
Success	0000	Matching is complete	The worklist is updated.
Failure	A700	Refused - Out of resources	The association is released. The reason is logged.
	A900	Failed - Identifier does not match SOP Class	The association is released. The reason is logged.
	Cxxx	Failed - Unable to process	The association is released. The reason is logged.
Cancel	FE00	Matching terminated due to Cancel request	The association is released. The reason is logged.
Pending	FF00	Matches are continuing - Current match is supplied and any optional keys were supported in the same manner as required keys.	The Query Worklist job continues.

Service Status	Error Code	Further Meaning	Behavior
	FF01	Matches are continuing - Warning that one or more optional keys were not supported for existence and/or matching for this identifier	The Query Worklist job continues.

Table 22: DICOM Command Communication Failure Behavior

Exception	Behavior
RIS Query timeout (default 240 seconds)	The association is aborted using A-ABORT and command marked as failed. The reason is logged and reported to the user.
Association aborted	The command is marked as failed. The reason is logged and reported to the user.

4.2.1.3.2.3.3. Dataset Specific Conformance for Modality Worklist Information Model - FIND C-CANCEL-SCU

Detail regarding the Dataset Specific response behavior will be reported in this section.

This part of the section includes the dataset specific behavior, i.e. error codes, error and exception handling, time-outs, etc.

Table 23: DICOM Command Communication Failure Behavior

Exception	Behavior
Timeout	The association is aborted using AP-ABORT and command marked as failed. The reason is logged and reported to the user.
Association aborted	The command is marked as failed. The reason is logged and reported to the user.

4.2.1.3.3. (Real-World) Activity – Modality Performed Procedure Step as SCU

4.2.1.3.3.1. Description and Sequencing of Activities

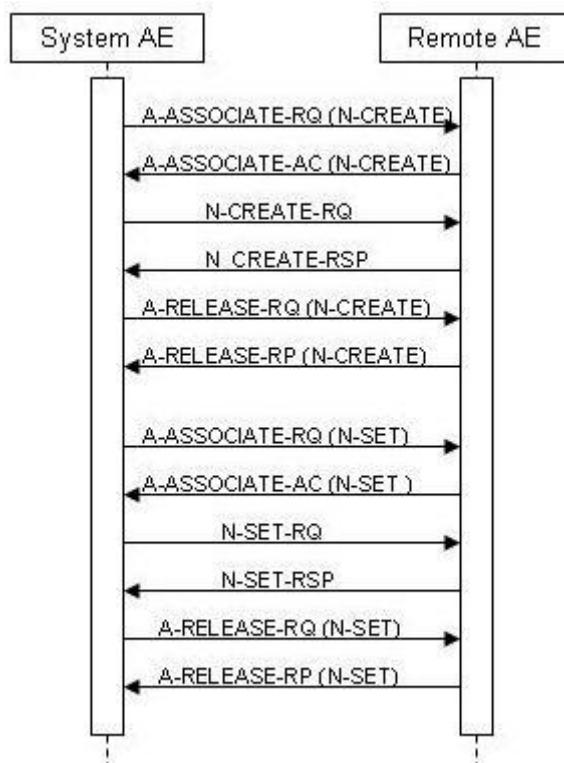


Figure 6: (Real World) Activity - Modlality Performed Procedure Step as SCU

Description of Activities

A DuraDiagnost 4.1 "Examination" is regarded equivalent to a DICOM Procedure Step. It is scheduled or manually entered before and acquisition is taken, and performed by taking acquisitions. If scheduled by the RIS, one Examination is the result of one Scheduled Procedure Step. Since an examination may not be re-opened after having been closed, and each examination workflow context is enclosed in one MPPS, one examination may result in 0:1 MPPS instances. However, image archiving after the examination's closure leads to 1: n MPPS instances per examination (append case).

After the image for a Scheduled Procedure Step has been acquired, the system sets the MPPS status of the related examination to "IN PROGRESS" and generates an initial MPPS in progress message. The system does not generate intermediate MPPS in progress message for subsequent acquisitions of this Scheduled Procedure Step instance.

After finishing the appropriate acquisition(s), the system will change the MPPS status of the related examination to "COMPLETED" and generate and MPPS N-SET-FINAL message.

DuraDiagnost 4.1 also generates MPPS messages for unscheduled examinations.

The MPPS completed message will list the UID's of all related DICOM archived images and the format of (optionally) generated direct prints.

After abandoning or discontinuing a procedure step, the operator may set the MPPS Status of the related examination to "DISCONTINUED" and the system generates a MPPS DISCONTINUED message. The reason for abandoning or discontinuing a procedure step is unspecified.

The operator may interchange the performed sequence order of scheduled procedure steps.

MPPS messages may interleave. Depending on the application workflow optimization by the user, an MPPS sequence like this may come up:

MPPS / SOP Instance UID 1: N-CREATE (IN PROGRESS)

MPPS / SOP Instance UID 2: N-CREATE (IN PROGRESS)
 MPPS / SOP Instance UID 3: N-CREATE (IN PROGRESS)
 ...
 MPPS / SOP Instance UID 2: N-SET (COMPLETED)
 MPPS / SOP Instance UID 1: N-SET (COMPLETED)
 MPPS / SOP Instance UID 3: N-SET (COMPLETED)

(i.e.: running multiple procedure steps 'in parallel')

Sequencing of Activities

After storing a performed procedure step the Eleva AE shall request an association with the configured remote Study Management SCP. After accepting the association the Eleva AE shall send a N-CREATE request, wait for response, and then release the association.

4.2.1.3.3.2. Proposed Presentation Contexts

The presentation contexts are defined in the next table.

Table 24: Proposed Presentation Contexts for (Real-World) Activity – Modality Performed Procedure Step As SCU

Presentation Context Table					
Abstract Syntax		Transfer Syntax		Role	Extended Negotiation
Name	UID	Name List	UID List		
Modality Performed Procedure Step SOP Class	1.2.840.10008.3.1.2.3.3	Explicit VR Big Endian	1.2.840.10008.1.2.2	SCU	None
		Explicit VR Little Endian	1.2.840.10008.1.2.1		
		Implicit VR Little Endian	1.2.840.10008.1.2		

4.2.1.3.3.3. SOP Specific Conformance for Modality Performed Procedure Step SOP Class

When acquiring the first image of a Scheduled or Unscheduled Procedure Step, DuraDiagnost 4.1 generates a MPPS IN PROGRESS message.

DuraDiagnost 4.1 does not generate intermediate IN PROGRESS (N-SET) messages and does not support the Performed Procedure Step Exception Management Option.

DuraDiagnost 4.1 has no Billing Code Tables and does not support the Performed Procedure Step Billing and Material Management Option, except default values for Medium Type (2000,0030) and Film Size ID (2010,0050), if optional Local Print is configured.

Assisted Acquisition Protocol Setting Option

Eleva AE by default derives the specific acquisition protocol from the Scheduled Protocol Code Sequence Items. Any single item results in an examination.

Eleva AE supports 3 more (configurable) mapping relations, as shown below:

- Examination is selected from Scheduled Protocol Code Items -> Code Value (0040,0008) (default).
- Examination is selected from Scheduled Procedure Step Description (0040,0007).
- Examination is selected from Request Procedure Code Items -> Code Value (0032,1064).
- Examination is selected from Requested Procedure Description (0032,1060).

Eleva AE does not evaluate the attributes:

- Code Scheme Designator (0008,0102),
- Coding Scheme Version (0008,0103),
- Code Meaning (0008,0104).

Eleva AE only evaluate the attributes Code Value (0008,0100), for mapping the examination settings. I.e. Eleva AE expects that any used Code Value is unique (unambiguous) within a given RIS domain.

Restriction Depending on Number of Scheduled Protocol Code Items

It is highly recommended that the Scheduled Procedure Step contains only 1 Item in the Scheduled Protocol Code Sequence.

If the Scheduled Procedure Step contains <n> items in the Scheduled Protocol Code Sequence, the Scheduled Procedure Step is split into <n> examinations, where any single examination shows only 1 of the Scheduled Protocol Code Items, but all the other attributes are the same.

When such an examination is returned back via MPPS, also the Performed Protocol Code Sequence will show only 1 item. If all <n> Scheduled Procedure Step Code Items are performed, <n> MPPS instances will be sent back to the RIS, and the sum of all Performed Protocol Code Items will be <n>.

4.2.1.3.3.3.1. Dataset Specific Conformance for Modality Performed Procedure Step SOP Class N-CREATE-SCU

This section includes the dataset specific behavior, i.e. error codes, error and exception handling, time-outs, etc.

Table 25: MPPS Request Identifiers for N-CREATE-RQ

Attribute Name	Tag	VR	Value	Comment
SOP Common Module				
Specific Character Set	0008,0005	CS		
Performed Procedure Step Relationship Module				
Patient ID	0010,0020	LO		
Patient's Birth Date	0010,0030	DA		
Patient's Name	0010,0010	PN		
Patient's Sex	0010,0040	CS		
Referenced Patient Sequence	0008,1120	SQ		
Scheduled Step Attributes Sequence	0040,0270	SQ		
>Accession Number	0008,0050	SH		
>Requested Procedure Description	0032,1060	LO		
>Requested Procedure ID	0040,1001	SH		
>Scheduled Procedure Step Description	0040,0007	LO		
>Scheduled Procedure Step ID	0040,0009	SH		
>Study Instance UID	0020,000D	UI		
>Referenced Study Sequence	0008,1110	SQ		
>>Referenced SOP Class UID	0008,1150	UI		
>>Referenced SOP Instance UID	0008,1155	UI		
>Scheduled Protocol Code Sequence	0040,0008	SQ		
>>Code Meaning	0008,0104	LO		
>>Code Value	0008,0100	SH		
>>Coding Scheme Designator	0008,0102	SH		
Issuer of Patient ID	0010,0021	LO		
Performed Procedure Step Information Module				
Performed Location	0040,0243	SH		
Performed Procedure Step Description	0040,0254	LO		
Performed Procedure Step End Date	0040,0250	DA		
Performed Procedure Step End Time	0040,0251	TM		
Performed Procedure Step ID	0040,0253	SH		
Performed Procedure Step Start Date	0040,0244	DA		Start of the examination
Performed Procedure Step Start Time	0040,0245	TM		Start of the examination
Performed Procedure Step Status	0040,0252	CS	COMPLETED, DISCONTINUED, IN PROGRESS	
Performed Procedure Type Description	0040,0255	LO		
Performed Station AE Title	0040,0241	AE	Eleva	
Performed Station Name	0040,0242	SH		
Procedure Code Sequence	0008,1032	SQ		

Attribute Name	Tag	VR	Value	Comment
>Code Meaning	0008,0104	LO		
>Code Value	0008,0100	SH		
>Coding Scheme Designator	0008,0102	SH		
Image Acquisition Results Module				
Modality	0008,0060	CS		
Study ID	0020,0010	SH		
Performed Protocol Code Sequence	0040,0260	SQ		
>Code Meaning	0008,0104	LO		
>Code Value	0008,0100	SH		
>Coding Scheme Designator	0008,0102	SH		
Performed Series Sequence	0040,0340	SQ		length of: 0
Radiation Dose Module				
Entrance Dose	0040,0302	US		
Entrance Dose in mGy	0040,8302	DS		
Image and Fluoroscopy Area Dose Product	0018,115E	DS		Not sent in case of appended MPPS Instances
Total Number of Exposures	0040,0301	US		
Total Time of Fluoroscopy	0040,0300	US		
Exposure Dose Sequence	0040,030E	SQ		
Billing And Material Management Code Module				
Film Consumption Sequence	0040,0321	SQ		length of: 0

This part of the section includes the dataset specific behavior, i.e. error codes, error and exception handling, time-outs, etc.

Table 26: Status Response

Service Status	Error Code	Further Meaning	Behavior
Success	0000	Successful operation	The SCP has successfully received the modality performed procedure step create request. Log entry.
Failure	0213	Resource limitation	The command is reported to the user as failed. The reason is logged. After a configured period of time the storage will be retried up to a configured number of times.
	xxxx	(Any failure accept)	The command is reported to the user as failed. The reason is logged. No retry.

Table 27: DICOM CCommand Communcation Failure Behavior

Exception	Behavior
Timeout	The association is aborted using AP-ABORT and command marked as failed. The reason is logged and reported to the user.
Association aborted	The command is marked as failed. The reason is logged and reported to the user.

4.2.1.3.3.3.2. Dataset Specific Conformance for Modality Performed Procedure Step SOP Class N-SET-SCU

This section includes the dataset specific behavior, i.e. error codes, error and exception handling, time-outs, etc.

Table 28: MPPS Request Identifiers for N-SET-RQ

Attribute Name	Tag	VR	Value	Comment
Performed Procedure Step Information Module				
Performed Procedure Step Description	0040,0254	LO		
Performed Procedure Step End Date	0040,0250	DA		Start of the examination
Performed Procedure Step End Time	0040,0251	TM		Start of the examination
Performed Procedure Step Status	0040,0252	CS	COMPLETED, DISCONTINUED, IN	

Attribute Name	Tag	VR	Value	Comment
			PROGRESS	
Procedure Code Sequence	0008,1032	SQ		
>Code Meaning	0008,0104	LO		
>Code Value	0008,0100	SH		
>Coding Scheme Designator	0008,0102	SH		
Image Acquisition Results Module				
Performed Protocol Code Sequence	0040,0260	SQ		
>Code Meaning	0008,0104	LO		
>Code Value	0008,0100	SH		
>Coding Scheme Designator	0008,0102	SH		
Performed Series Sequence	0040,0340	SQ		
>Operators' Name	0008,1070	PN		N-Values
>Performing Physician's Name	0008,1050	PN		
>Protocol Name	0018,1030	LO		Copied from Performed Protocol Code Sequence - Item code Value.
>Retrieve AE Title	0008,0054	AE		
>Series Description	0008,103E	LO		
>Series Instance UID	0020,000E	UI		
>Referenced Image Sequence	0008,1140	SQ		
>Referenced Non-Image Composite SOP Instance Sequence	0040,0220	SQ		length of: 0
Radiation Dose Module				
Entrance Dose	0040,0302	US		
Image and Fluoroscopy Area Dose Product	0018,115E	DS		Not accumulating: reprocessed images, non-digital images. Not sent in case of appended MPPS instances.
Total Number of Exposures	0040,0301	US		Not accumulating: reprocessed images, non-digital images. Not sent in case of appended MPPS instances.
Total Time of Fluoroscopy	0040,0300	US		
Exposure Dose Sequence	0040,030E	SQ		
Billing And Material Management Code Module				
Film Consumption Sequence	0040,0321	SQ		
>Film Size ID	2010,0050	CS		
>Medium Type	2000,0030	CS		
>Number of Films	2100,0170	IS		

This part of the section includes the dataset specific behavior, i.e. error codes, error and exception handling, time-outs, etc.

Table 29: Status Response

Service Status	Error Code	Further Meaning	Behavior
Success	0000	Confirmation	The association is released.
Failure	0110	Processing failure - performed procedure step object may no longer be updated	The reason is logged.
	xxxx	(any other failure)	The reason is logged.

Table 30: DICOM Command Communication Failure Behavior

Exception	Behavior
Timeout	The Association is aborted using AP-ABORT and command marked as failed. The reason is logged and reported to the user.
Association aborted	The command is marked as failed. The reason is logged and reported to the user.

4.2.1.3.4. (Real-World) Activity – Image Export

4.2.1.3.4.1. Description and Sequencing of Activities

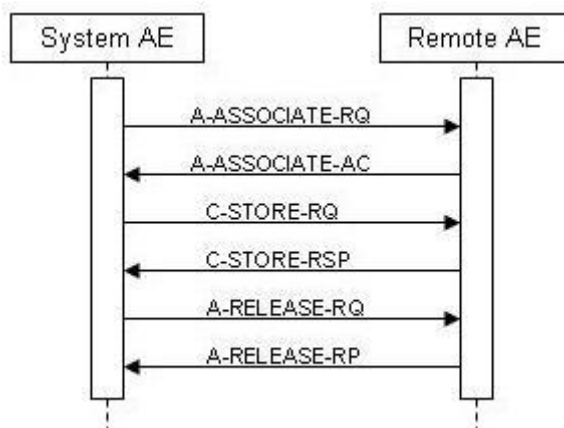


Figure 7: (Real World) Activity - Image Export

Export means that DuraDiagnost 4.1 stores images without Storage Commitment.

This RWA may be initiated in two ways.

- Manually in the viewer, after clicking the Store button the Eleva AE will Store the selected images at the selected Storage SCP.
- Automatically during an examination, after clicking the Confirm button the Eleva AE will automatically store the related images or the performed procedure step at the configured Storage SCP.

The Eleva AE will request an association with the remote Storage SCP for the applicable Storage SOP classes. After accepting the association the Eleva AE will send the store request, wait for response, and then release the association. The store response status may be inspected on the UI.

Depending on the status of the store the Eleva AE may queue store requests for retries. The queued store requests can be cancelled from the UI.

4.2.1.3.4.2. Proposed Presentation Contexts

The presentation contexts are defined in the next table.

Table 31: Proposed Presentation Contexts for (Real-World) Activity – Image Export

Presentation Context Table					
Abstract Syntax		Transfer Syntax		Role	Extended Negotiation
Name	UID	Name List	UID List		
Computed Radiography Image Storage SOP Class	1.2.840.10008.5.1.4.1.1.1	Explicit VR Big Endian	1.2.840.10008.1.2.2	SCU	None
		Explicit VR Little Endian	1.2.840.10008.1.2.1		
		Implicit VR Little Endian	1.2.840.10008.1.2		
Digital X-Ray Image Storage - For Pres. SOP	1.2.840.10008.5.1.4.1.1.1	Explicit VR Big Endian	1.2.840.10008.1.2.2	SCU	None
		Explicit VR Little Endian	1.2.840.10008.1.2.1		
		Implicit VR Little Endian	1.2.840.10008.1.2		

Presentation Context Table					
Abstract Syntax		Transfer Syntax		Role	Extended Negotiation
Name	UID	Name List	UID List		
Digital X-Ray Image Storage - For Proc. SOP	1.2.840.10008.5.1.4.1.1.1.1.1	Explicit VR Big Endian	1.2.840.10008.1.2.2	SCU	None
		Explicit VR Little Endian	1.2.840.10008.1.2.1		
		Implicit VR Little Endian	1.2.840.10008.1.2		
Secondary Capture Image Storage SOP Class	1.2.840.10008.5.1.4.1.1.7	Explicit VR Big Endian	1.2.840.10008.1.2.2	SCU	None
		Explicit VR Little Endian	1.2.840.10008.1.2.1		
		Implicit VR Little Endian	1.2.840.10008.1.2		
X-Ray Radiation Dose SR SOP Class	1.2.840.10008.5.1.4.1.1.88.67	Explicit VR Big Endian	1.2.840.10008.1.2.2	SCU	None
		Explicit VR Little Endian	1.2.840.10008.1.2.1		
		Implicit VR Little Endian	1.2.840.10008.1.2		

By default, all images are DICOM Stored according to the SOP Class Digital X-Ray. CR Image attributes that are undefined for DX Images are stored in private attributes.

As a configurable choice, Images can be stored as Computed Radiology SOP Class. This capability is required to be compatible with installed radiology equipment. DX Image attributes that are undefined for CR Images are then stored in private attributes.

Another choice can be DICOM Stored according to Secondary Capture SOP Class. This capability is required to be compatible with installed radiology equipment. Optionally only the attributes defined for Secondary Capture Images or all attributes are stored

For DICOM CR images there is a constraint that a change in position, detector, body part or laterality implies a new series. This has been relaxed for DX images through the use of the 'DX Anatomy Imaged' and 'DX Positioning' Modules, which define attributes at image level.

The DX Image IOD is used in two SOP Classes as defined in the DICOM Standard, a SOP Class for storage of images intended for Presentation, and a SOP Class for storage of images intended for further Processing before presentation. These are distinguished by their SOP Class UID and by the Enumerated Value of the mandatory Attribute in the DX Series Module, Presentation Intent Type (0008,0068).

It is possible to export / store one single image first as a DICOM CR and secondly as a DICOM DX object, therefore the SOP Instance UIDs of both DICOM image instances have to be different.

The Numbering Scheme shall support 'Hanging Protocols' of PACS systems & Viewing Stations, in case of the CR as well as the DX model:

1. The Series Number shall start with 1 for the first Series of every Study Instance, identified by StudyInstanceUID.
2. The Series Number shall increase by 1 for every new Series Instance within the same Study Instance, by the timely order, the Series Instances are created.
3. The Image Number shall start with 1 for every new Series Instance.
4. The Image Number shall increase by 1 for every new Image Instance within the same SeriesInstance, by the timely order, the Images are exported.

For DX SOP Class is in the DICOM Standard defined:

The Digital X-Ray (DX) Image Information Object Definition specifies an image that has been created by a digital projection radiography imaging device.

Notes:

- This includes but is not limited to: chest radiography, linear and multi-directional tomography, orthopantomography and skeletal radiography. Acquisition of image data may include but is not limited to: CCD-based sensors, stimuable phosphor imaging plates, amorphous selenium, and scintillation based amorphous silicon and secondary capture of film-based images.
- Specific IODs are defined for intra-oral radiography and mammography that further specialize the DX IOD.

A DX image shall consist of the result of a single X-Ray exposure, in order to ensure that the anatomical and orientation attributes are meaningful for the image, permitting safe annotation, appropriate image processing and appropriate dissemination.

Notes:

- The requirement for the DuraDiagnost 4.1 specifically deprecates the common film/screen and Computed Radiography practice of making multiple exposures on different areas of a cassette or plate by using lead occlusion between exposures. Such acquisitions could be separated and transformed into multiple DX images during an appropriate quality assurance step by an operator.
- The requirement for the DuraDiagnost 4.1 does not deprecate the acquisition of multiple paired structures during a single exposure, provided that they can be described by the relevant orientation attributes. For example, an AP or PA projection of both hands side by side is typically obtained in a single exposure, and can be described by a Patient Orientation (0020,0020) of R\L or L\L since both hands are in the same traditional Anatomical Position.

4.2.1.3.4.3. SOP Specific Conformance for Storage SOP Classes

This section includes the SOP specific behavior, i.e. error codes, error and exception handling, time-outs, etc.

Behavior of an Application Entity SOP class is summarized as shown in next Table.

The standard as well as the manufacturer specific status codes and their corresponding behavior are specified.

4.2.1.3.4.3.1. Dataset Specific Conformance for C-STORE-RQ

Detail regarding the Dataset Specific response behavior will be reported in this section.

This includes the dataset specific behavior, i.e. error codes, error and exception handling, time-outs, etc.

Table 32: Status Response

Service Status	Error Code	Further Meaning	Behavior
Success	0000	Storage is complete	UI status is updated
Failure	A7xx	Refused: Out of Resources	The association is released. The reason is logged. The user is informed.
	A9xx	Error: Data Set does not match SOP Class	The association is released. The reason is logged. The user is informed.
	Cxxx	Error: cannot understand	The association is released. The reason is logged. The user is informed.
Warning	B000	Coercion of Data Elements	The association is released. The reason is logged. The user is informed.
	B007	Data Set does not match SOP Class	The association is released. The reason is logged. The user is informed.
	B006	Elements Discarded	The association is released. The reason is logged. The user is informed.

Note that the status can be inspected via the user interface.

Table 33: DICOM Command Communication Failure Behavior

Exception	Behavior
Timeout	The Association is aborted using A-ABORT and command marked as failed. The reason is logged and reported to the user.
Association aborted	The command is marked as failed. The reason is logged and reported to the user.

4.2.1.3.5. (Real-World) Activity – Structured Dose Report Export

4.2.1.3.5.1. Description and Sequencing of Activities

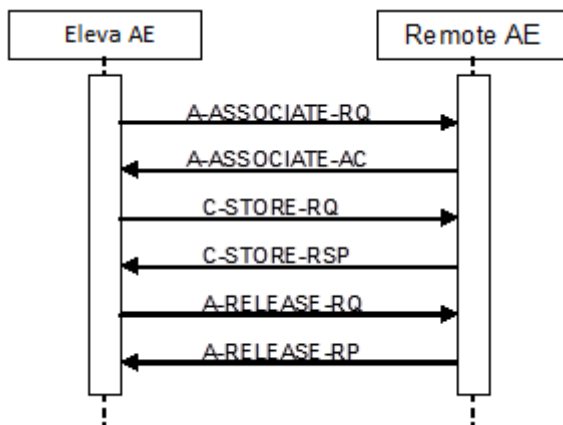


Figure 8: (Real World) Activity – Structured Dose Report Export

The ELEVA AE will request an association with the remote Storage SCP for the applicable Storage SOP classes. After accepting the association, the ELEVA AE will send the store request, wait for response, and then release the association. The store response status can be inspected on the UI.

4.2.1.3.5.2. Proposed Presentation Contexts

Table 34: Proposed Presentation Contexts for (Real-World) Activity – Image Export

Presentation Context Table					
Abstract Syntax		Transfer Syntax		Role	Extended Negotiation
Name	UID	Name List	UID List		
X-Ray Radiation Dose SR SOP Class	1.2.840.10008.5.1.4.1.1.88.67	Implicit VR Little Endian	1.2.840.10008.1.2	SCU	None
		Explicit VR Big Endian	1.2.840.10008.1.2.2		
		Explicit VR Little Endian	1.2.840.10008.1.2.1		

4.2.1.3.5.3. SOP Specific Conformance for Storage SOP Classes

Behavior of an Application Entity SOP class is summarized as shown in next Table. The standard as well as the manufacturer specific status codes and their corresponding behavior are specified.

Table 35: C-STORE-RQ Status Response

Service Status	Code	Further Meaning	Behavior
Success	0000	Storage is complete	UI status is updated
Refused	A700	Out of resources	The association is released. On receiving error in C-STORE RSP messages store operation is unsuccessful
Error	A900	Data set does not match SOP class	The association is released. On receiving error in C-STORE RSP messages store operation is unsuccessful.
	C000	Cannot understand	The association is released. On receiving error in C-STORE RSP messages store operation is unsuccessful.
Warning	B000	Coercion of data elements	The association is released. On receiving error in C-STORE RSP messages store operation is unsuccessful.
	B006	Elements discarded	The association is released. On receiving error in C-STORE RSP messages store operation is unsuccessful

Service Status	Code	Further Meaning	Behavior
	B007	Data set does not match SOP class	The association is released. On receiving error in C-STORE RSP messages store operation is unsuccessful.

The status can be inspected via the user interface.

Table 36: DICOM Command Communication Failure Behavior

Exception	Behavior
Timeout	The Association is aborted using A-ABORT and command marked as failed. The reason is logged and reported to the user.
Association aborted	The command is marked as failed. The reason is logged and reported to the user.

4.2.1.3.6. (Real-World) Activity – Storage Commitment Push Model AS SCU

4.2.1.3.6.1. Description and Sequencing of Activities

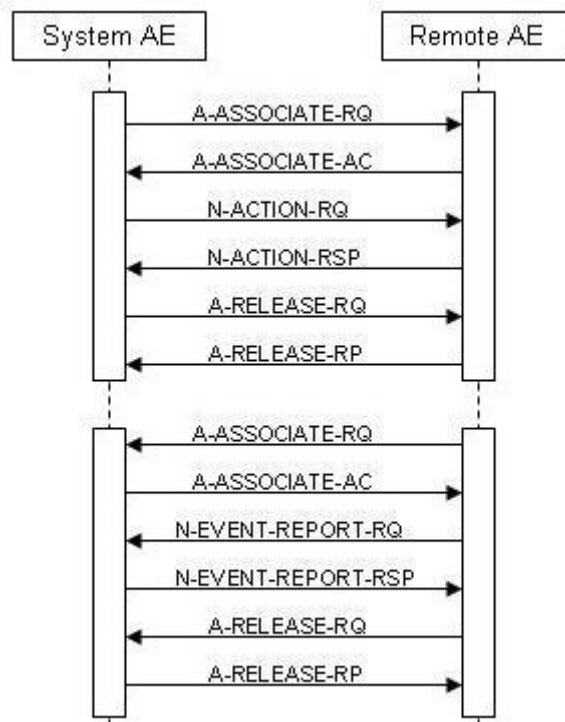


Figure 9: (Real World) Activity - Storage Commitment Push Model as SCU (Asynchronous)

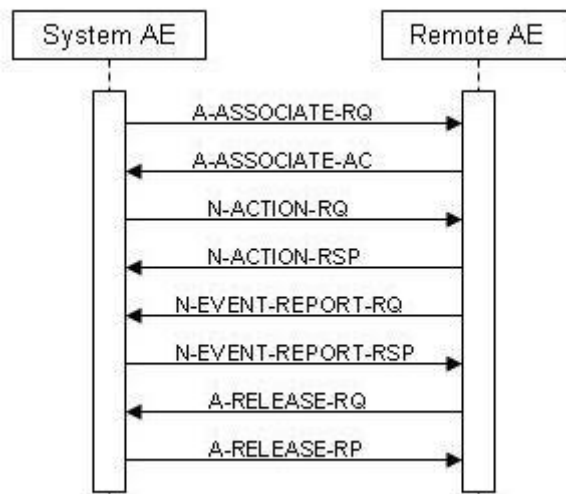


Figure 10: (Real World) Activity - Storage Commitment Push Model as SCU (Synchronous)

Archive means that DuraDiagnost 4.1 stores images with Storage Commitment. This RWA may be initiated in two ways:

- Manually in the viewer, after clicking the store button the Eleva AE will store the selected images at the selected Storage SCP.
- Automatically during examination, after clicking the confirm button the Eleva AE will automatically store the related images of the performed procedure step at the configured storage SCP.

The Eleva AE will request an association with the remote Storage SCP for the applicable Storage SCP classes. After accepting the association the Eleva AE will send the store request, wait for response, and then release the association. The store response status may be inspected on the UI. The Transferred image shall not be deleted from the system until the Storage Commit N-EVENT is received.

Depending on the status of the store the Eleva AE may queue store requests for retries. The queued store requests can be cancelled from the UI.

When an archive supports DICOM Storage Commitment, this node can be configured for it. For each image that is sent to this node, also a Storage Commitment Request is sent. The image is delete-protected until the Storage Commit Response has been received. The current status is shown in the Image Info Panel.

In case of a wrong configuration (an archive is configured to support Storage Commitment, but does not really do so), the system recognizes this, and our application sees a successful Storage Commitment.

4.2.1.3.6.2. Proposed Presentation Contexts

The presentation contexts are defined in the next table.

Table 37: Proposed Presentation Contexts for (Real-World) Activity – Storage Commitment Push Model as SCU

Presentation Context Table					
Abstract Syntax		Transfer Syntax		Role	Extended Negotiation
Name	UID	Name List	UID List		
Storage Commitment Push Model SOP Class	1.2.840.10008.1.20.1	Explicit VR Big Endian	1.2.840.10008.1.2.2	SCU	None
		Explicit VR Little Endian	1.2.840.10008.1.2.1		
		Implicit VR Little Endian	1.2.840.10008.1.2		

4.2.1.3.6.3. SOP Specific Conformance for Storage Commitment Push Model SOP Class

This section includes the SOP specific behavior, i.e. error codes, error and exception handling, time-outs, etc. Behavior of an Application Entity SOP class is summarized as shown in next Table.

The standard as well as the manufacturer specific status codes and their corresponding behavior are specified.

4.2.1.3.6.3.1. Dataset Specific Conformance for Storage Commitment Push Model SOP Class N-EVENT-REPORT-SCP

This part of the section includes the dataset specific behavior, i.e. error codes, error and exception handling, time-outs, etc.

Table 38: DICOM Command Communication Failure Behavior

Exception	Behavior
Timeout	The association is aborted using AP-ABORT and command marked as failed. The reason is logged and reported to the user.
Association aborted	The command is marked as failed. The reason is logged and reported to the user.

4.2.1.3.6.3.2. Dataset Specific Conformance for Storage Commitment Push Model SOP Class N-ACTION-SCU

Detail regarding the Dataset Specific response behavior will be reported in this section.

Table 39: Storage Commitment Attribute for N-ACTION-RQ

Attribute Name	Tag	Comment
Storage Commitment Module		
Transaction UID	0008,1195	
Referenced SOP Sequence	0008,1199	
>Referenced SOP Class UID	0008,1150	
>Referenced SOP Instance UID	0008,1155	

This part of the section includes the dataset specific behavior, i.e. error codes, error and exception handling, time-outs, etc.

Table 40: Status Response

Service Status	Error Code	Further Meaning	Behavior
Success	0000	Storage is complete	UI status is updated
Refused	A7xx	Out of resources	The association is released. The reason is logged. The user is informed
Error	A9xx	Data set does not match SOP Class	The association is released. The reason is logged. The user is informed
	Cxxx	Cannot understand	The association is released. The reason is logged. The user is informed
Warning	B000	Coercion of data elements	The association is released. The reason is logged. The user is informed
	B006	Elements discarded	The association is released. The reason is logged. The user is informed
	B007	Data set does not match SOP Class	The association is released. The reason is logged. The user is informed

Table 41: DICOM Command Communication Failure Behavior

Exception	Behavior
Association aborted	The command is marked as failed. The reason is logged and reported to the user.

4.2.1.3.7. (Real-World) Activity – Print Management as SCU

4.2.1.3.7.1. Description and Sequencing of Activities

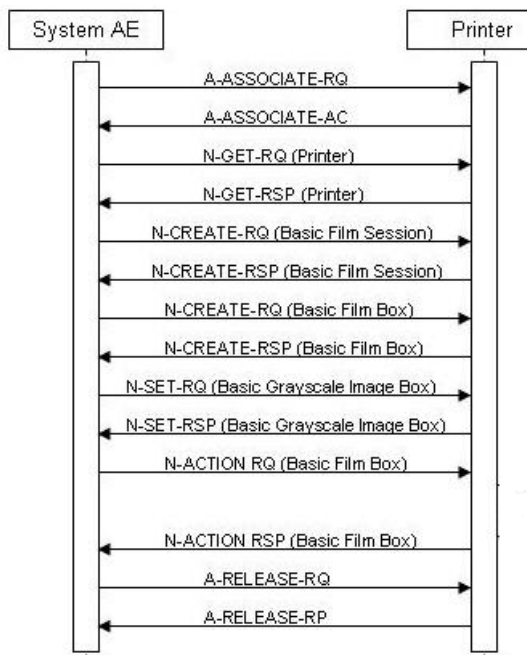


Figure 11: (Real World) Activity - Print Management as SCU

The Eleva AE cannot handle any N-EVENT-REPORT messages.

A print job (film session) comprises one single film box with one single image (that is composed of 1..N modality images).

Behavior of the Print Component:

The print component of the DuraDiagnost 4.1 mainly provides three different print modes, ranging from a highly automated print mode that does not interrupt the clinical acquisition workflow, over a semi-automated print mode which automatically composes the print films but gives the user the opportunity to review and manipulate these films before they are printed, to a fully manual print mode where the user has the full control over the composition of the printed films.

These modes are called 'autoprint', 'autoprint with user check', and 'manual print'. Additionally the print component provides a mechanism to solve conflicts in automatically composed print films. This can be configured to be done either automatically or manually.

Autoprint:

The application gives the user the opportunity to make several settings, stored in a persistent database, that define how the images of an examination should be laid out when they are automatically printed. These settings include the number of images on one film, the medium to print on, the scaling of the images etc. Some of these settings are stored in a so called print template which provides a generic stencil of how images and annotations should be placed on a film. These templates are also used for manual printing. Once these settings are done, the print component is capable of printing all images of the according examination type fully automatically and without any further user interaction.

Autoprint with User Check:

When an examination is configured to be printed with 'autoprint with user check', the layout of the images on the film will be done according to the same settings that are also used for 'autoprint'. But instead of sending the composed print pages directly to the printer when they are ready to be printed, the user has the opportunity to review these films and to change the layout of the films as (s)he desires. The display of the composed films and the changes to the layout are done via the same user interface as used for manual printing. When all changes are done, the user triggers the printout manually.

Manual Print:

For manual printing, the application provides a user interface that gives the user the opportunity to freely define the layout and content of a print page. Therefore (s)he is provided with a list of images for the selected patient and a section where the film to be printed is displayed. To fill the film the user can simply insert the images via point and click. The layout of the film can be predefined by selecting one of the templates also used for 'autoprint'. Furthermore it is also possible to create new templates or to temporarily change the layout of an existing template. The user interface for manual printing is the same as for 'autoprint with user check'.

Conflict Check:

On some occasions there might be conflicts in automatically laid out print films. One kind of conflict occurs if a film is ready to be printed but not all image placeholders of the according print template are filled. This conflict is called 'incomplete page conflict'. Another conflict might occur if the predefined scale for an image causes it to be cropped when printed on a film. This conflict is called 'scaling conflict'. The user has the opportunity to configure if these conflicts should be solved automatically or if they should be solved by user interaction. If the user chooses to solve these conflicts manually, (s)he will be informed that a conflict occurred, the film will not be printed and the user can review the conflicting film via the user interface in the same manner as if 'autoprint with user check' was configured for this film. After solving the conflict (or not if desired), the user must trigger the printout of the according film manually. To solve a 'scaling conflict' automatically the user has the opportunity to decide that the image should be 'cut', which means that the image will be printed with the predefined scale and eventually be cropped, or (s) he can decide to 'fit' the image, which means that the scale for the image will be recalculated in a way, that it will fully fit into the according placeholder. In both cases no user interaction is required. The automatic solution of an 'incomplete page conflict' can either be done by telling the print component to print the incomplete page or to change the template. The former option causes the print component to print the incomplete page without informing the user about the occurrence of the conflict, the latter causes the print component to automatically change the template so that it only contains the required number of image placeholders. The film will then be printed according to the layout of the newly selected template.

4.2.1.3.7.2. Proposed Presentation Contexts

The presentation contexts are defined in the next table.

Table 42: Proposed Presentation Contexts for (Real-World) Activity – Print Management as SCU

Presentation Context Table					
Abstract Syntax		Transfer Syntax		Role	Extended Negotiation
Name	UID	Name List	UID List		
Basic Grayscale Print Management Meta SOP Class	1.2.840.10008.5.1.1.9			SCU	None
>Basic Film Box SOP Class	1.2.840.10008.5.1.1.2	Explicit VR Big Endian	1.2.840.10008.1.2.2	SCU	None
		Explicit VR Little Endian	1.2.840.10008.1.2.1		
		Implicit VR Little Endian	1.2.840.10008.1.2		
>Basic Film Session SOP Class	1.2.840.10008.5.1.1.1	Explicit VR Big Endian	1.2.840.10008.1.2.2	SCU	None
		Explicit VR Little Endian	1.2.840.10008.1.2.1		
		Implicit VR Little Endian	1.2.840.10008.1.2		
>Basic Grayscale Image Box SOP Class	1.2.840.10008.5.1.1.4	Explicit VR Big Endian	1.2.840.10008.1.2.2	SCU	None
		Explicit VR Little Endian	1.2.840.10008.1.2.1		
		Implicit VR Little Endian	1.2.840.10008.1.2		
>Printer SOP Class	1.2.840.10008.5.1.1.1 6	Explicit VR Big Endian	1.2.840.10008.1.2.2	SCU	None
		Explicit VR Little Endian	1.2.840.10008.1.2.1		
		Implicit VR Little Endian	1.2.840.10008.1.2		

The behavior of the AE during responses and communication are describes in the next tables.

Table 43: DICOM Command Response Status Handling Behavior for Grayscale Print Management Meta SOP Class

Service Status	Code	Further Meaning	Behavior
Success	0000	Successful operation	The print job continues.
Failure	xxxx	Any failure	In the AutoPrint mode a GUI is invoked. The status panel of this GUI displays a message based on the "Futher Meaning".The warning or failure response of a print request that is invoked by the Manual Print Composer GUI will be displayed by a pop-up window (if the user has not closed the GUI before the printer status was delivered.

Service Status	Code	Further Meaning	Behavior
Warning	xxxx	Any warning	In the AutoPrint mode a GUI is invoked. The status panel of this GUI displays a message based on the "Further Meaning". The warning or failure response of a print request that is invoked by the Manual Print Composer GUI will be displayed by a pop-up window (if the user has not closed the GUI before the printer status was delivered).

Table 44: DICOM Command Communication Failure Behavior

Exception	Behavior
Timeout	The Association is aborted using A-Abort and the command is marked as failed. The reason is logged. After a maximum number of retries the user is notified via pop-up (in preview mode only).
Association aborted	The command is marked as failed. The reason is logged. After a maximum number of retries the user is notified via pop-up (in preview mode only)
Failed to connect	Log entry. After a maximum number of retries the user is notified via pop-up (in preview mode only).

This section specifies each IOD created (including private IOD's).

Abbreviations used in the Module table for the column "Presence of Value" are:

- ALWAYS The attribute is always present with a value
- EMPTY The attribute is always present without any value (attribute sent zero length)
- VNAP The attribute is always present and its Value is Not Always Present (attribute sent zero length if no value is present)
- ANAP The attribute is present under specified condition – if present then it will always have a value
- VNAPCV The attribute is present under specified condition – if present then its Value is Not Always Present (attribute sent zero length if condition applies and no value is present)
- ANAPEV The attribute is present under specified condition – if present then it will not have any value

The abbreviations used in the Module table for the column "Source" are:

- AUTO The attribute value is generated automatically
- CONFIG The attribute value source is a configurable parameter
- COPY The attribute value source is another SOP instance
- FIXED The attribute value is hard-coded in the application
- IMPLICIT The attribute value source is a user-implicit setting
- MPPS The attribute value is the same as that use for Modality Performed Procedure Step
- MWL The attribute value source is a Modality Worklist
- USER The attribute value source is explicit user input

4.2.1.3.7.3. SOP Specific Conformance for Basic Film Box SOP Class of the Basic Grayscale Print Management Meta SOP Class

This section includes the SOP specific behavior, i.e. error codes, error and exception handling, time-outs, etc.

Behavior of an Application Entity SOP class is summarized as shown in next Table.

The standard as well as the manufacturer specific status codes and their corresponding behavior are specified.

4.2.1.3.7.3.1. Dataset Specific Conformance for Basic Film Box SOP Class N-CREATE-SCU

Detail regarding the Dataset Specific response behavior will be reported in this section.

Table 45: Basic Film Box Presentation Module

Attribute Name	Tag	VR	Value	Presence of Value	Source	Comment
Image Display Format	2010,0010	ST		ALWAYS	CONFIG	
Film Orientation	2010,0040	CS		ALWAYS	CONFIG	
Film Size ID	2010,0050	CS		ALWAYS	CONFIG	
Magnification Type	2010,0060	CS		ALWAYS	CONFIG	

Max Density	2010,0130	US		ALWAYS	CONFIG	
Trim	2010,0140	CS		ALWAYS	CONFIG	
Configuration Information	2010,0150	ST		ALWAYS	CONFIG	

Table 46: Basic Film Box Relationship Module

Attribute Name	Tag	VR	Value	Presence of Value	Source	Comment
Referenced Film Session Sequence	2010,0500	SQ		ALWAYS	AUTO	
>Referenced SOP Class UID	0008,1150	UI		ALWAYS	AUTO	
>Referenced SOP Instance UID	0008,1155	UI		ALWAYS	AUTO	

4.2.1.3.7.3.2. Dataset Specific Conformance for Basic Film Box SOP Class N-ACTION-SCU

This part of the section includes the dataset specific behavior, i.e. error codes, error and exception handling, time-outs, etc. There are no DICOM attribute defined for N-ACTION.

4.2.1.3.7.4. SOP Specific Conformance for Basic Film Session SOP Class of the Basic Grayscale Print Management Meta SOP Class

This section includes the SOP specific behavior, i.e. error codes, error and exception handling, time-outs, etc. Behavior of an Application Entity SOP class is summarized as shown in next Table. The standard as well as the manufacturer specific status codes and their corresponding behavior are specified.

4.2.1.3.7.4.1. Dataset Specific Conformance for Basic Film Session SOP Class N-CREATE-SCU

Detail regarding the Dataset Specific response behavior will be reported in this section.

Table 47: Basic Film Session Presentation Module

Attribute Name	Tag	VR	Value	Presence of Value	Source	Comment
Number of Copies	2000,0010	IS		ALWAYS	AUTO	
Print Priority	2000,0020	CS		ALWAYS	AUTO	
Medium Type	2000,0030	CS		ALWAYS	USER	
Film Destination	2000,0040	CS		ALWAYS	CONFIG	
Film Session Label	2000,0050	LO		ALWAYS	AUTO	

4.2.1.3.7.5. SOP Specific Conformance for Printer SOP Class of the Basic Grayscale Print Management Meta SOP Class

This section includes the SOP specific behavior, i.e. error codes, error and exception handling, time-outs, etc. Behavior of an Application Entity SOP class is summarized as shown in next Table. The standard as well as the manufacturer specific status codes and their corresponding behavior are specified.

4.2.1.3.7.5.1. Dataset Specific Conformance for Printer SOP Class N-EVENT-REPORT-SCP

Not applicable since not supported.

4.2.1.3.7.6. SOP Specific Conformance for Basic Grayscale Image Box SOP Class of the Basic Grayscale Print Management Meta SOP Class

This section includes the SOP specific behavior, i.e. error codes, error and exception handling, time-outs, etc. Behavior of an Application Entity SOP class is summarized as shown in next Table. The standard as well as the manufacturer specific status codes and their corresponding behavior are specified.

4.2.1.3.7.6.1. Dataset Specific Conformance for Basic Grayscale Image Box SOP Class N-SET-SCU

This section includes the dataset specific behavior, i.e. error codes, error and exception handling, time-outs, etc.

Table 48: Image Box Pixel Presentation Module

Attribute Name	Tag	VR	Value	Presence of Value	Source	Comment
Image Box Position	2020,0010	US		ALWAYS	AUTO	
Polarity	2020,0020	CS		ALWAYS	AUTO	
Basic Grayscale Image Sequence	2020,0110	SQ		ALWAYS	AUTO	
>Samples per Pixel	0028,0002	US	1	ALWAYS	AUTO	
>Photometric Interpretation	0028,0004	CS		ALWAYS	CONFIG	
>Rows	0028,0010	US		ALWAYS	IMPLICIT	Depending on the selected printer type and film size
>Columns	0028,0011	US		ALWAYS	IMPLICIT	Depending on the selected printer type and film size
>Bits Allocated	0028,0100	US	16, 8	ALWAYS	AUTO	
>Bits Stored	0028,0101	US	12, 8	ALWAYS	IMPLICIT	
>High Bit	0028,0102	US		ALWAYS	AUTO	
>Pixel Representation	0028,0103	US	0x0000	ALWAYS	AUTO	
>Pixel Data	7FE0,0010	OW/ OB		ALWAYS	AUTO	

4.2.1.4. Association Acceptance Policy

This section describes the conditions under which the AE will initiate an association. The behavior of the AE during association rejection is summarized in next table.

- The ELEVA AE accepts associations to allow remote applications to verify application level communication.
- The ELEVA AE rejects association requests from unknown applications, i.e. applications that offer an unknown "calling AE title". An application is known if and only if it is defined per configuration.
- The ELEVA AE rejects association requests from applications that do not address the ELEVA AE, i.e. that offer a wrong "called AE title".

Table 49: Association Reject Reasons

Result	Source	Reason/Diagnosis	Behavior	
1 - rejected permanent	1 - DICOM UL service-user	1 - no-reason-given	Association is not established due to any problem other than that specified in the rows below. (Example: Problem while decoding the DICOM stream).	
		2 - application-context-name-not-supported	An application context name other than 1.2.840.10008.3.1.1.1 is requested by the SCU during association.	
		3 - calling-AE-title-not-recognized	The configuration does not contain a repository having the Calling AE Title as per the association request. - There is a problem in configuration (related to composing the configuration from the SCU and the SCP configuration).	
		7 - called-AE-title-not-recognized	The called AE Title in the association request does not match the AE Title as per the configuration.	
	2 - DICOM UL service provider (ACSE related function)	1 - no-reason-given	Not used.	
		2 - protocol-version-not-supported	Not used.	
	3 - DICOM UL service provider (Presentation related function)	1 - temporary-congestion	Not used.	
		2 - local-limit-exceeded	Not used.	
	2 - rejected-transient	1 - DICOM UL service-user	1 - no-reason-given	Not used.
			2 - application-context-name-not-supported	Not used.
3 - calling-AE-title-not-recognized			Not used.	
7 - called-AE-title-not-recognized			Not used.	
2 - DICOM UL service provider (ACSE related function)		1 - no-reason-given	Maximum number of associations is exceeded and an association request is received.	
		2 - protocol-version-not-supported	Not used.	
3 - DICOM UL service provider (Presentation related function)		1 - temporary-congestion	Not used.	
		2 - local-limit-exceeded	Not used.	

The behavior of the AE for sending an Association abort is summarized in next table.

Table 50: Association Abort Policies

Source	Reason/Diagnosis	Behavior
0 - DICOM UL service-user (initiated abort)	0 - reason-not-specified	When received, the Eleva Workspot terminates the connection with the following log: Association ABORTED by peer (0: ABORT_SOURCE_dul_user, 0: ABORT_REASON_not specified). Sent when: Association times out due to inactivity. Any other problem than ones specified in the rows below. (Example: Problem while decoding the DICOM stream, Invalid request, Echo SCP was unable to send the Response to SCU, Error writing to SCU stream).
2 - DICOM UL service-provider (initiated)	0 - reason-not-specified	When received, the Eleva Workspot terminates the connection with the following log: Association ABORTED by peer (2: ABORT_SOURCE_dul_provider, 0: ABORT_REASON_not specified).

Source	Reason/Diagnosis	Behavior
abort)	1 - unrecognized-PDU	When received, the Eleva Workspot terminates the connection with the following log: Association ABORTED by peer (2: ABORT_SOURCE_dul_provider,1: ABORT_REASON_unrecognized_pdu). Sent when: An unrecognized PDU type is received.
	2 - unexpected-PDU	When received, the Eleva Workspot terminates the connection with the following log: Association ABORTED by peer (2: ABORT_SOURCE_dul_provider, 2: ABORT_REASON_unexpected_pdu). Sent when: The received PDU type is not expected in the current state of connection.
	4 - unrecognized-PDU parameter	When received, the Eleva Workspot terminates the connection with the following log: Association ABORTED by peer(2: ABORT_SOURCE_dul_provider, 4: ABORT_REASON_unrecognized_pdu_parameter). Sent when:An unrecognized Associate PDU item is received.
	5 - unexpected-PDU parameter	When received, the Eleva Workspot terminates the connection with the following log: Association ABORTED by peer (2: ABORT_SOURCE_dul_provider, 5: ABORT_REASON_unexpected_pdu_parameter). Sent when: One of the Associate PDU items is received more than once. One of the Associate PDU items is received unexpectedly
	6 - invalid-PDU-parameter value	When received, the Eleva Workspot terminates the connection with the following log: association ABORTED by peer (2: ABORTED_SOURCE_dul_provider, 6: ABORTED_REASON_invalid_pdu_parameter). Sent when: One of the Associate PDU items is received more than once. One of the Associate PDU items is not received. Empty Called AE Title string (space-only) is received. Unknown abstract syntax is received. The length or the format of the received PDU item is invalid.

4.2.1.4.1. (Real-World) Activity – Verification as SCP

4.2.1.4.1.1. Description and Sequencing of Activities

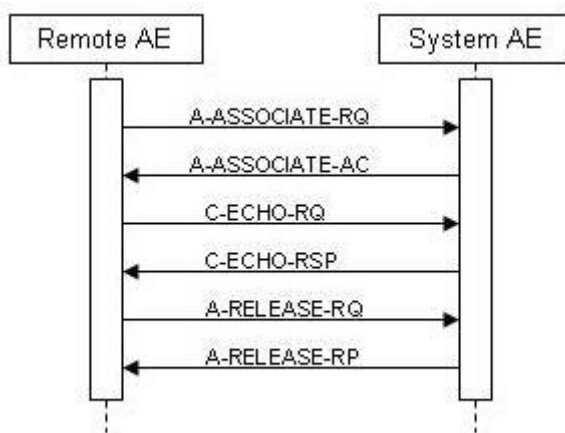


Figure 12: (Real World) Activity - Verification as SCP

The Eleva AE accepts associations from systems that which to verify application level communication using the C-ECHO command.

4.2.1.4.1.2. Accepted Presentation Contexts

The presentation contexts are defined in the next table.

Table 51: Acceptable Presentation Contexts for (Real-World) Activity – Verification as SCP

Presentation Context Table					
Abstract Syntax		Transfer Syntax		Role	Extended Negotiation
Name	UID	Name List	UID List		
Verification SOP Class	1.2.840.10008.1.1	Explicit VR Big Endian	1.2.840.10008.1.2.2	SCP	None

Presentation Context Table					
Abstract Syntax		Transfer Syntax		Role	Extended Negotiation
Name	UID	Name List	UID List		
		Explicit VR Little Endian	1.2.840.10008.1.2.1		
		Implicit VR Little Endian	1.2.840.10008.1.2		

4.2.1.4.1.3. SOP Specific Conformance for Verification SOP Class

This section includes the SOP specific behavior, i.e. error codes, error and exception handling, time-outs, etc.

Behavior of an Application Entity SOP class is summarized as shown in next Table.

The standard as well as the manufacturer specific status codes and their corresponding behavior are specified.

4.2.1.4.1.3.1. Dataset Specific Conformance for Verification C-ECHO SCP

Detail regarding the Dataset Specific response behavior will be reported in this section.

Table 52: Status Response

Service Status	Error Code	Further Meaning	Behavior
Success	0000	Verification is complete	The DuraDiagnost 4.1 has successfully received the verification request

Table 53: DICOM Command Communication Failure Behavior

Exception	Behavior
Timeout	The Association is aborted using AP-ABORT and command marked as failed. The reason is logged and reported to the user.
Association aborted	The command is marked as failed. The reason is logged and reported to the user.

4.3. Network Interfaces

4.3.1. Physical Network Interfaces

The DuraDiagnost 4.1 provides DICOM 3.0 TCP/IP Network Communication Support as defined in Part 8 of the DICOM 3.0 Standard.

TCP/IP is the only protocol stack supported.

Supported physical medium include:

IEEE 802-3-1995 1000Base-TX (Gigabit Ethernet)

The TCP/IP Stack supported by the underlying Operating System.

The API is the WinSock 2 interface as supported by the underlying Operating System.

The DuraDiagnost 4.1 system shall not be connected to a 10 Mb/s (10Base T) network.

4.3.2. Additional Protocols

No additional protocols are used.

4.4. Configuration

Any implementation's DICOM conformance may be dependent upon configuration, which takes place at the time of installation. Issues concerning configuration are addressed in this section.

4.4.1. AE Title/Presentation Address Mapping

An important installation issue is the translation from AE title to presentation address. How this is to be performed is described here.

4.4.1.1. Local AE Titles

The local AE title mapping and configuration are specified as:

Table 54: AE Title configuration table

Application Entity	Default AE Title	Default TCP/IP Port
Eleva AE	ELEVA	3010

4.4.1.2. Remote AE Title/Presentation Address Mapping

All remote applications to be selected as destination (SCP) are configurable for the following items:

- The Application Entity Title of the remote application.
- The Presentation Address or where the remote application accepts association requests.

4.4.2. Parameters

The specification of important operational parameters, their default value and range (if configurable) are specified here.

Table 55: Configuration Parameters Table

Parameter	Configurable	Default Value
General Parameter		
Maximum PDU received size	No	
Maximum PDU send size	Yes	16384
Maximum number of simultaneous associations	Yes	2
Artim Timeout Specifies the time in seconds of the ARTIM (Association Request/Reject/Release Timer) Allowed values: 0: unlimited waiting time 0 < n: real time in seconds	Yes	60 [seconds]

Parameter	Configurable	Default Value
Automatic Association Timeout Specifies the association inactivity timeout in seconds after which the association is closed automatically Allow values: -1: immediate timeout 0: unlimited waiting time 0 < n: real time in seconds	Yes	0 [unlimited]
Transfer Syntax support: ILE, ELE, EBE	Yes	ILE, ELE, EBE
Storage Specific Parameters		
Automatic export to a configurable destination	Yes	-
Storage Commitment Specific Parameters		
Storage Commit Max Reply Waiting Time. Specifies the time in seconds that is waited for a storage commitment event report message. After this time the association will be terminated Allow values: -1: immediate timeout 0: unlimited waiting time 0 < n: real time in seconds	Yes	-1 [asynchronous]
Basic Worklist Management Specific Parameters		
RIS query timeout Specifies the time after which the query is automatically aborted Allow values: 1-300 minutes	Yes	240 [minutes]
Background broad query time interval Specifies the time until the background query will be repeated. Allow values: 0: no broad query 0 < n: real time in minutes	Yes	0 [no broad query]
Print Management Specific Parameters		
Automatic print to a configurable destination	Yes	-

5. Media Interchange

5.1. Implementation model

The implementation model identifies the DICOM Application Entities for Media in specific implementation and relates the Application Entities to Real-World Activities.

5.1.1. Application Data Flow Diagram

The Eleva Workspot system consists of one single application entity only: the Eleva Workspot Application Entity (Eleva AE). Next figure shows the Media Interchange application data flow as a functional overview of the Eleva AE.

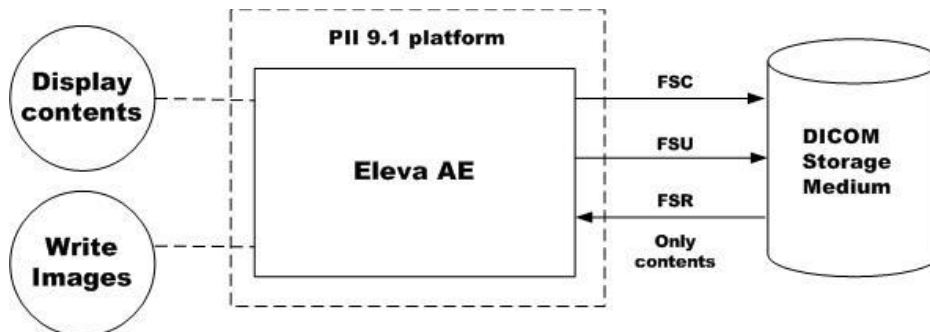


Figure 13: Media Interchange Application Data Flow Diagram

The Eleva AE will act as a FSR when reading the directory of the medium.

The Eleva AE will act as a FSC.FSU when writing the selected images in a patient folder onto the CD-R medium.

Note: DuraDiagnost 4.1 system can be connected to a PCR cassette for importing Digital Images.

5.1.2. Functional Definitions of AE's

This section shall describe in general terms the functions to be performed by the AE, and the DICOM services used to accomplish these functions.

Functional Definition of DuraDiagnost 4.1:

The Eleva AE is the one and only application entity within the DuraDiagnost 4.1. It includes the following service class.

Media Storage Service Class:

The Eleva AE can perform the Media Storage service as SCU, with capabilities for RWA Display Directory (as FSR, DICOMDIR only) and RWA Write Images (as FSC/FSU).

5.1.3. Sequencing of Real World Activities

Write image can be initiated by selecting a proper export destination, selecting requested images and clicking the export button.

Whenever a CD-R has to be written the Eleva AE first tries to read the DICOMDIR. The Eleva AE will compile the updated DICOMDIR and any required DICOM images into a CD session image; this CD session image will be written to CD-R.

5.2. AE Specifications

This section in the DICOM Conformance Statement specifies a set of Media Application Entities.

5.2.1. Media Storage Security Profiles

Not Supported

5.2.2. Eleva Media - Specification

The Eleva AE provides Standard Conformance to the DICOM Media Storage Service and File Format ([DICOM] PS 3.10) and the Media Storage Application Profiles STD-GEN-CD ([DICOM] PS 3.11) for reading.

Eleva AE supports Multi-Patient and Multi-Session CD-R disks.

On the Eleva AE is only "adding on" of instances is supported for the FSU, deleting is not supported.

The supported Application Profiles, their Roles and the Service Class (SC) options, all defined in DICOM terminology, are listed in next table.

Only adding one of instances is supported for the FSU, deleting is not supported.

Table 56: AE Eleva related Application Profiles, RWA activities and roles

Supported Application Profile	Identifier	Real-World Activities	Roles
General Purpose CD-R Interchange	STD-GEN-CD	Update File-set	FSU
		Create File-set	FSC
		Display Directory	DD

5.2.2.1. File Meta Information for the Eleva

This next table specified the list of values assigned to the File Meta Information attributes that pertain to the Implementation Class and Version.

Table 57: File Meta Information for the Eleva

Implementation Class UID	1.3.46.670589.30.41.0
Implementation Version Name	PMS_ELEVA_41.0

5.2.2.2. Real-World Activities

The AE specification contains a description of the Real-World Activities, which invoke the particular AE.

5.2.2.2.1. RWA - Create File-set

When an image transfer to CD-R is initiated then the Eleva AE acts as an FSC or FSU using the interchange option to export SOP Instances from the local database to a CD-R medium.

5.2.2.2.1.1. Media Storage Application Profile

The Eleva AE supports the RWA - Write Images for the STD-GEN-CD Application Profile.

5.2.2.2.1.1.1. Options

The DICOMDIR file will be extended when new images are written. In case some attributes are not present in an image but are specified as mandatory in the DICOMDIR definition in DICOM Media, a generated value will be filled in.

The Eleva AE can write created image to media of the following listed SOP Classes.

Table 58: AE related storage SOP Classes for Media

SOP Class Name	SOP Class UID
Computed Radiography Image Storage SOP Class	1.2.840.10008.5.1.4.1.1.1
Digital X-Ray Image Storage - Presentation SOP Class	1.2.840.10008.5.1.4.1.1.1.1
Digital X-Ray Image Storage - Processing SOP Class	1.2.840.10008.5.1.4.1.1.1.1.1

SOP Class Name	SOP Class UID
Secondary Capture Image Storage SOP Class	1.2.840.10008.5.1.4.1.1.7
X-Ray Radiation Dose SR	1.2.840.10008.5.1.4.1.1.88.67

The Eleva AE can write created image to media with the following listed Transfer Syntax.

Table 59: AE related Transfer Syntax for Media

Transfer Syntax	UID List
Explicit VR Little Endian	1.2.840.10008.1.2.1

The Eleva AE can write created image to media with the following listed Media Storage SOP Class.

Table 60: AE Media Store SOP Class

Media Storage SOP Class Name	Media Storage SOP Class UID
Media Storage Directory Storage	1.2.840.10008.1.3.10

It is possible to Store one single image first as a DICOM CR object and secondly as a DICOM DX object, therefore the "SOP Instance UIDs" and "Referenced SOP Instance UIDs" of both DICOM image instances have to be different.

The Numbering Scheme shall support 'Hanging Protocols' of PACS systems & Viewing Stations, in case of the CR as well as the DX model:

- The Series Number starts with 1 for the first Series of every Study Instance, identified by Study Instance UID.
- The "Series Number" increases by 1 for every new Series Instance within the same Study Instance, by the timely order, the Series Instances are created.
- Every Stored image gets also a unique "Series Instance UID" and "Media Storage SOP Instance UID".
- The Image Number starts with 1 for every new Series Instance.
- The Image Number increases by 1 for every new Image Instance within the same Series Instance, by the timely order, the Images are created.

5.2.2.2.2. RWA - Update File-set

When an image transfer to CD-R is initiated then the Eleva AE acts as an FSC or FSU using the interchange option to export SOP Instances from the local database to a CD-R medium.

5.2.2.2.2.1. Media Storage Application Profile

The Eleva AE supports the RWA - Update File-set for the STD-GEN-CD Application Profile.

5.2.2.2.2.1.1. Options

The DICOMDIR file will be extended when new images are written. In case some attributes are not present in an image but are specified as mandatory in the DICOMDIR definition in DICOM Media, a generated value will filled in.

5.2.2.2.3. RWA - Display Directory

This Media Application Entity can display the DICOMDIR (directory) of the multimedia. The ELEVA AE will act as an FSR when reading the directory of the medium. This will result in an overview of the images on the DuraDiagnost 4.1 screen.

5.2.2.2.3.1. Media Storage Application Profile

The Eleva AE supports the RWA Display Directory for the STD-GEN-CD Application Profile.

5.2.2.2.3.1.1. Options

Not Supported.

5.3. Augmented and Private Application Profiles

Not Supported

5.4. Media Configuration

By Anonymous patient on CD where change the following DICOM attributes

Table 61: Anonymous patient on CD

Attribute	Tag	Change to
Media Storage SOP Instance UID	0002,0003	New UID
Referenced SOP Instance UID in File	0004,1511	New UID
SOP Instance UID	0008,0018	New UID
Accession Number	0008,0050	empty
Institution Name	0008,0080	empty
Institution Address	0008,0081	empty
Referring Physician's Name	0008,0090	empty
Station Name	0008,1010	empty
Study Description	0008,1030	empty
Series Description	0008,103E	empty
Institutional Department Name	0008,1040	empty
Performing Physicians' Name	0008,1050	empty
Name of Physician(s) Reading Study	0008,1060	empty
Operators' Name	0008,1070	empty
Patient's Name	0010,0010	New ID
Patient ID	0010,0020	New UID
Patient's Birth Data	0010,0030	empty
Patient's Sex	0010,0040	empty
Other Patient Ids	0010,1000	empty
Patient's Age	0010,1010	empty
Patient's Size	0010,1020	empty
Patient's Weight	0010,1030	empty
Ethnic Group	0010,2160	empty
Additional Patient's History	0010,21B0	empty
Patient Comments	0010,4000	empty
Device Serial Number	0018,1000	anon string
Protocol Name	0018,1030	empty
Study Instance UID	0020,000D	New UID
Series Instance UID	0020,000E	New UIID
Study ID	0020,0010	New String
Frame of Reference UID	0020,0052	New UID
Image Comments	0020,4000	empty
Requesting Physician	0032,1032	empty
Requested Attributes Sequence	0040,0275	empty Sequence

6. Support of Character Sets

Any support for character sets in Network and Media services is described here.

Table 62: Supported DICOM Character Sets

Character Set Description	Defined Term	ESC Sequence	ISO Registration Number	Code Element	Character Set
GB18030	GB18030	-	-	-	-
Latin alphabet No. 1	ISO_IR 100	-	ISO-IR 6	G0	ISO 646
		-	ISO-IR 100	G1	Supplementary set of ISO 8859

7. Security

7.1. Security Profiles

DuraDiagnost 4.1 conforms to the Media Storage Security Profile and IHE ATNA Integration Profile.

DuraDiagnost 4.1 allows the use of either a conventional (non-secure) DICOM communication or a secure DICOM communication based on the Transport Layer Security (TLS) protocol. If configured DuraDiagnost 4.1 supports the following security measures:

- secure authentication of a node
- integrity and confidentiality of transmitted data
- confidentiality of data on DICOM Media
- generation of audit trail records access control and user authentication

7.1.1. Security use Profiles

Not applicable

7.1.2. Security Transport Connection Profiles

DuraDiagnost 4.1 conforms to the Basic TLS Secure Transport Connection Profile.

DuraDiagnost 4.1 initiates TLS Connections and accepts TLS Connections with Storage Commitment. TLS ports are configurable.

DuraDiagnost 4.1 provides a service accessible tool to configure private keys and certificates of the local and remote DICOM nodes.

Secure communication is a "mode of operation" of DuraDiagnost 4.1 supported by the implementation of the DICOM Basic TLS Secure Transport Connection Profile. This functionality will be used by the nodes that can authenticate each other before they exchange DICOM information. For secure communication the TLS protocol v1.2 is used which provides message authentication, integrity, and confidentiality. Confidentiality is optional and can be controlled by the encryption settings.

DuraDiagnost 4.1 may communicate using the following Cipher Suites:
TLS_RSA_WITH_NULL_SHA (Node authentication without encryption)
TLS_RSA_WITH_AES_128_CBC_SHA (Node authentication with encryption)
TLS_RSA_WITH_3DES_EDE_CBC_SHA

DuraDiagnost 4.1 supports X.509 certificates. The following TLS Certification checks will be done (TLS Handshake). The machine (either server or client) that will send its certificate will:

Choose the certificate according to Common Name (CN) value in the Subject-field. This name is case-sensitive. All present certificates should have unique CN names.

The server verifies that

- The client certificate is a X.509 certificate which is valid.
- The Client Authentication (CA) of the client certificate is in the list of trusted certificates.
- The client certificate is not expired (present time is between "Valid From" and "Valid To" fields of the X.509 certificate)
- The client certificate has the correct purpose (at least the Client Authentication purpose), If the purpose is specified.

The client verifies that

- The server certificate is a X.509 certificate which valid.
- The Client Authentication (CA) of the client certificate is in the list of trusted certificates.
- The server certificate is not expired (present time is between "Valid From" and "Valid To" fields of the X.509 certificate)
- The server certificate has the correct purpose (at least Server Authentication purpose), If the purpose is specified.

No verification is done on:

- Revocation of certificates
- Limiting the connection to a limited set of IP-addresses

Node authentication with or without encryption is only possible when both nodes have:

- An access to their own private keys
- An access to a copy of the certificate of the other node containing its public key

Figure below presents the message flow of TLS handshake supported by DigitalDiagnost C90.

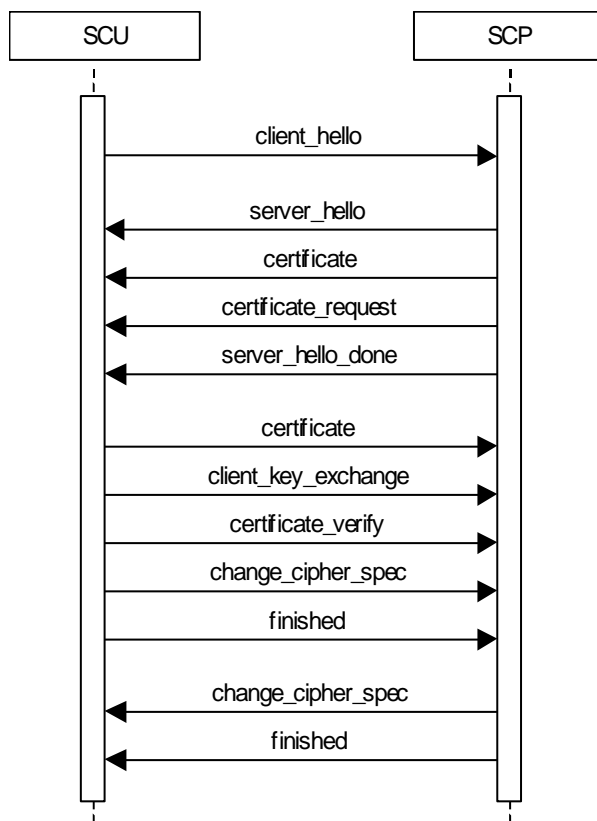


Figure 14: Message flow of TLS handshake

7.1.3. Digital Signature Profiles

Not applicable

7.1.4. Media Storage Security Profiles

DuraDiagnost 4.1 conforms to the Basic DICOM Media Security Profile. DuraDiagnost 4.1 use AES or Triple-DES for content encryption. DuraDiagnost 4.1 uses password-based encryption for key transport of content encryption keys. The password is auto generated by application while the user has an option to change the same. The method used to exchange the password is beyond the control of the application.

7.1.5. Attribute Confidentiality Profiles

DuraDiagnost 4.1 conforms to the Basic Application Level Confidentiality Profile as de-identifier. De-identified SOP Instances will be created on DICOM Media if specified by the user.

No instances of the Encrypted Attributes Data Set are created. No Transfer Syntaxes are supported for encoding/decoding of Encrypted Attributes Data Sets.

- empty: The attribute will have a value of zero length.
- n. a.: Not applicable, the attribute is not contained in the standard IOD of DigitalDiagnost C90
- anon string: The original value is mapped onto a string with a length of max 12 characters UID using the procedure described below.
- anon UID: The original value is mapped onto a syntactically valid DICOM UID using the procedure described below.

The above mentioned mapping procedure works as follows:

- The original value is taken as a string of arbitrary length.
- This string is mapped onto a 16-byte value using MD5 hash.
- From this value only the first 8 bytes are used further.
 - To create an anon string these first 8 bytes are mapped onto a 12 characters long string using base 64.
 - To create an anon UID the 8 bytes are read as two integers which are used together with the Implementation Class UID and the device serial number to create a valid DICOM UID:
 (ImplClassUID).(DevSerialNu).2.Integer(byte[0-3]).Integer(byte[4-7])

MD5 hash makes practically sure that different strings are mapped to different 16-byte values. So the whole procedure ensures that the relationship between SOP Instances by the means of their UIDs remains consistent.

Table 63: Anonymous attributes supported by DigitalDiagnost C90

Attribute Name	Tag	Replacement Value
Instance Creator UID	0008,0014	anon UID
SOP Instance UID	0008,0018	anon UID
Accession Number	0008,0050	empty
Institution Name	0008,0080	empty
Institution Address	0008,0081	empty
Referring Physician's Name	0008,0090	empty
Station Name	0008,1010	empty
Study Description	0008,1030	empty
Series Description	0008,103E	empty
Institutional Department Name	0008,1040	empty
Physician(s) of Record	0008,1048	empty
Performing Physicians' Name	0008,1050	empty
Name of Physician(s) Reading Study	0008,1060	empty
Operators' Name	0008,1070	empty
Admitting Diagnoses Description	0008,1080	empty
Referenced SOP Instance UID	0008,1155	anon UID
Derivation Description	0008,2111	empty
Patient's Name	0010,0010	empty
Patient ID	0010,0020	anon ID
Patient's Birth Date	0010,0030	empty
Patient's Birth Time	0010,0032	empty
Patient's Sex	0010,0040	empty
Other Patient Ids	0010,1000	empty
Other Patient Names	0010,1001	empty
Patient's Age	0010,1010	empty
Patient's Size	0010,1020	empty
Patient's Weight	0010,1030	empty
Ethnic Group	0010,2160	empty
Occupation	0010,2180	empty
Additional Patient's History	0010,21B0	empty
Patient Comments	0010,4000	empty
Device Serial Number	0018,1000	anon string
Protocol Name	0018,1030	empty

Attribute Name	Tag	Replacement Value
Study Instance UID	0020,000D	anon UID
Series Instance UID	0020,000E	anon UID
Study ID	0020,0010	anon string
Frame of Reference UID	0020,0052	anon UID
Image Comments	0020,4000	empty
Requesting Physician	0032,1032	empty
Requested Attributes Sequence	0040,0275	empty Sequence
Requested Procedure ID	0040,1001	anon ID
UID	0040,A124	anon UID
Content Sequence	0040,A730	empty
Storage Media File-set UID	0088,0140	anon UID

No attributes or attribute values are inserted.

7.1.6. Network Address Management Profiles

Not applicable

7.1.7. Time Synchronization Profiles

DuraDiagnost 4.1 conforms to the Basic Time Synchronization Profile as NTP Client.

DuraDiagnost 4.1 does support secure transactions.

7.1.8. Application Configuration Management Profiles

Not applicable

7.1.9. Audit Trail Profiles

DuraDiagnost 4.1 creates audit messages according to the IHE ATNA Integration Profile. These messages may contain information that identifies the patient. The following messages will be created and sent to a central Audit Record Repository:

- Application Activity (when DuraDiagnost 4.1 starts or shuts down).
- Begin Transferring DICOM Instances (when an examination is being transferred from the DuraDiagnost 4.1 to a remote network node).
- DICOM Instances Transferred (when an examination is transferred from the DuraDiagnost 4.1 to a remote network node).
- DICOM Instances Accessed (Study is created, modified, accessed, or deleted).
- Node-Authentication-failure (node needs to report a security alert, e.g., a node authentication failure when establishing a secure communications channel)
- User Authentication (when the user logs in or logs out).
- SecurityAlert (when an authentication of a secure node during TLS negotiation fails, e.g. due to an invalid certificate and configuration and other changes).
- Export (when printing job is started or export on media e.g CD, DVD).
- DICOM Study Deleted (If SOP Instances are deleted from a specific study. One event covers all instances deleted for the particular study).
- Actor-Config (security related event caused by database changes)

7.2. Association Level Security

Not applicable

7.3. Application Level Security

DuraDiagnost 4.1 does not support any specific application level security measures.

- The Application which gives access to Patient records and DICOM communication requires Login with Username and Password.
- The system is used within a secured environment. It is assumed that a secured environment includes at a minimum.

- The OS is solidified by white-listing applications and files. Not white-listed executable files, libraries, drivers, Java apps, ActiveX controls, scripts, and other code are blocked.
- Firewall or router protections to ensure that only approved external hosts have network access to DuraDiagnost 4.1
- Firewall or router protections to ensure that DuraDiagnost 4.1 only has network access to approved external hosts and services.
- Any communication with external hosts outside the locally secured environment can be configured to use secure network channels.

Other network security procedures such as automated intrusion detection may be appropriate in some environments.

Additional security features may be established by the local security policy and are beyond the scope of this conformance statement.

8. Annexes of application "Eleva"

8.1. IOD Contents

8.1.1. Created SOP Instance

This section specifies each IOD created by this application.

This section specifies each IOD created (including private IOD's). It should specify the attribute name, tag, VR, and value. The value should specify the range and source (e.g. user input, Modality Worklist, automatically generated, etc.). For content items in templates, the range and source of the concept name and concept values should be specified. Whether the value is always present or not shall be specified.

Abbreviations used in the IOD tables for the column "Presence of Module" are:

ALWAYS The module is always present
 CONDITIONAL The module is used under specified condition

Abbreviations used in the Module table for the column "Presence of Value" are:

ALWAYS The attribute is always present with a value
 EMPTY The attribute is always present without any value (attribute sent zero length)
 VNAP The attribute is always present and its Value is Not Always Present
 (attribute sent zero length if no value is present)
 ANAP The attribute is present under specified condition – if present then it will always have a value
 ANAPCV The attribute is present under specified condition – if present then its Value is Not Always Present
 (attribute sent zero length if condition applies and no value is present)
 ANAPEV The attribute is present under specified condition – if present then it will not have any value

The abbreviations used in the Module table for the column "Source" are:

AUTO The attribute value is generated automatically
 CONFIG The attribute value source is a configurable parameter
 COPY The attribute value source is another SOP instance
 FIXED The attribute value is hard-coded in the application
 IMPLICIT The attribute value source is a user-implicit setting
 MPPS The attribute value is the same as that use for Modality Performed Procedure Step
 MWL The attribute value source is a Modality Worklist
 USER The attribute value source is explicit user input

8.1.1.1. List of created SOP Classes

Table 64: List of created SOP Classes

SOP Class Name	SOP Class UID
Computed Radiography Image Storage SOP Class	1.2.840.10008.5.1.4.1.1.1
Digital X-Ray Image Storage - For Pres. SOP	1.2.840.10008.5.1.4.1.1.1.1
Digital X-Ray Image Storage - For Proc. SOP	1.2.840.10008.5.1.4.1.1.1.1.1
Secondary Capture Image Storage SOP Class	1.2.840.10008.5.1.4.1.1.7
X-Ray Radiation Dose SR	1.2.840.10008.5.1.4.1.1.88.67

8.1.1.2. Computed Radiography Image Storage SOP Class

Table 65: IOD of Created Computed Radiography Image Storage SOP Class Instances

Information Entity	Module	Presence Of Module
Patient	Patient Module	ALWAYS
Study	General Study Module	ALWAYS
	Patient Study Module	ALWAYS
Series	General Series Module	ALWAYS

	CR Series Module	ALWAYS
Equipment	General Equipment Module	ALWAYS
Image	General Image Module	ALWAYS
	Image Pixel Module	ALWAYS
	Contrast/Bolus Module	CONDITIONAL
	CR Image Module	ALWAYS
	Overlay Plane Module	CONDITIONAL
	Modality LUT Module	ALWAYS
	VOI LUT Module	ALWAYS
	SOP Common Module	ALWAYS
	Extended Dicom and Private attributes	CONDITIONAL

Table 66: Patient Module

Attribute Name	Tag	VR	Value	Presence of Value	Source	Comment
Patient's Name	0010,0010	PN		VNAP	MWL, USER	
Patient ID	0010,0020	LO		ALWAYS	AUTO, MWL	
Patient's Birth Date	0010,0030	DA		VNAP	MWL, USER	
Patient's Sex	0010,0040	CS	F, M, O	VNAP	MWL, USER	
Other Patient IDs	0010,1000	LO		ANAP	MWL, USER	
Ethnic Group	0010,2160	SH		ANAP	AUTO	
Patient Comments	0010,4000	LT		ANAP	MWL, USER	
Issuer of Patient ID	0010,0021	LO		ANAP	MWL, USER	

Table 67: General Study Module

Attribute Name	Tag	VR	Value	Presence of Value	Source	Comment
Study Date	0008,0020	DA		VNAP	AUTO	
Study Time	0008,0030	TM		VNAP	AUTO	
Accession Number	0008,0050	SH		VNAP	MWL, USER	
Referring Physician's Name	0008,0090	PN		VNAP	MWL, USER	
Study Description	0008,1030	LO		ANAP	MWL, USER	
Procedure Code Sequence	0008,1032	SQ		ANAP	MWL	
>Code Value	0008,0100	SH		ALWAYS	MWL	
>Coding Scheme Designator	0008,0102	SH		ALWAYS	MWL	
>Code Meaning	0008,0104	LO		ALWAYS	MWL	
Referenced Study Sequence	0008,1110	SQ		ANAP	MWL	
>Referenced SOP Class UID	0008,1150	UI		ANAPEV	MWL	
>Referenced SOP Instance UID	0008,1155	UI		ANAPEV	MWL	
Study Instance UID	0020,000D	UI		ALWAYS	AUTO, MWL	
Study ID	0020,0010	SH		VNAP	AUTO, MWL	

Table 68: Patient Study Module

Attribute Name	Tag	VR	Value	Presence of Value	Source	Comment
Patient's Age	0010,1010	AS		ANAP	MWL, USER	
Patient's Size	0010,1020	DS		ANAP	MWL, USER	
Patient's Weight	0010,1030	DS		ANAP	MWL, USER	
Additional Patient History	0010,21B0	LT		ANAP	MWL, USER	

Table 69: General Series Module

Attribute Name	Tag	VR	Value	Presence of Value	Source	Comment
Series Date	0008,0021	DA		ANAP	AUTO	
Series Time	0008,0031	TM		ANAP	AUTO	
Modality	0008,0060	CS	CR	ALWAYS	CONFIG	
Series Description	0008,103E	LO		ANAP	MPPS, USER	
Performing Physician's Name	0008,1050	PN		ANAP	MPPS, USER	
Operators' Name	0008,1070	PN		ALWAYS	MPPS, USER	
Referenced Performed Procedure Step Sequence	0008,1111	SQ		ALWAYS	AUTO	
>Referenced SOP Class UID	0008,1150	UI		ALWAYS	AUTO	
>Referenced SOP Instance UID	0008,1155	UI		ALWAYS	AUTO	
Protocol Name	0018,1030	LO		ALWAYS	MWL, USER	
Series Instance UID	0020,000E	UI		ALWAYS	AUTO, MPPS	
Series Number	0020,0011	IS		ALWAYS	AUTO, MPPS	
Laterality	0020,0060	CS		VNAP	CONFIG	
Request Attributes Sequence	0040,0275	SQ		ANAP	MWL	
>Scheduled Procedure Step Description	0040,0007	LO		ANAP	MWL	
>Scheduled Protocol Code Sequence	0040,0008	SQ		ANAP	MWL	
>>Code Value	0008,0100	SH		ALWAYS	MWL	
>>Coding Scheme Designator	0008,0102	SH		ALWAYS	MWL	
>>Code Meaning	0008,0104	LO		ALWAYS	MWL	
>Scheduled Procedure Step ID	0040,0009	SH		ANAPEV	MWL	
>Requested Procedure ID	0040,1001	SH		ANAPEV	MWL	
Performed Procedure Step Start Date	0040,0244	DA		ANAP	AUTO, MPPS	
Performed Procedure Step Start Time	0040,0245	TM		ANAP	AUTO, MPPS	
Performed Procedure Step ID	0040,0253	SH		ANAP	AUTO, MPPS	
Performed Procedure Step Description	0040,0254	LO		ANAP	AUTO, MPPS	

Performed Protocol Code Sequence	0040,0260	SQ		ANAP	MWL	
>Code Value	0008,0100	SH		ALWAYS	MWL	
>Coding Scheme Designator	0008,0102	SH		ALWAYS	MWL	
>Code Meaning	0008,0104	LO		ALWAYS	MWL	

Table 70: CR Series Module

Attribute Name	Tag	VR	Value	Presence of Value	Source	Comment
Body Part Examined	0018,0015	CS		VNAP	MPPS, USER	
View Position	0018,5101	CS		VNAP	AUTO	

Table 71: General Equipment Module

Attribute Name	Tag	VR	Value	Presence of Value	Source	Comment
Manufacturer	0008,0070	LO	Philips	ALWAYS	AUTO	
Institution Name	0008,0080	LO		ALWAYS	CONFIG	
Institution Address	0008,0081	ST		ALWAYS	CONFIG	
Station Name	0008,1010	SH		ALWAYS	CONFIG	
Institutional Department Name	0008,1040	LO		ALWAYS	CONFIG	
Manufacturer's Model Name	0008,1090	LO		ALWAYS	AUTO	
Device Serial Number	0018,1000	LO		ALWAYS	CONFIG	
Software Version(s)	0018,1020	LO		ALWAYS	AUTO	
Spatial Resolution	0018,1050	DS		ALWAYS	AUTO	

Table 72: General Image Module

Attribute Name	Tag	VR	Value	Presence of Value	Source	Comment
Image Type	0008,0008	CS	Value 1: ORIGINAL, Value 2: PRIMARY	ALWAYS	AUTO	
Acquisition Date	0008,0022	DA		ALWAYS	AUTO	
Content Date	0008,0023	DA		ALWAYS	AUTO	
Acquisition Time	0008,0032	TM		ALWAYS	AUTO	
Content Time	0008,0033	TM		ALWAYS	AUTO	
Instance Number	0020,0013	IS		ALWAYS	AUTO	
Patient Orientation	0020,0020	CS		VNAP	AUTO	
Quality Control Image	0028,0300	CS		ALWAYS	AUTO	
Burned In Annotation	0028,0301	CS		ALWAYS	AUTO	
Lossy Image Compression	0028,2110	CS	00	ANAP	AUTO	
Presentation LUT Shape	2050,0020	CS	IDENTITY	ALWAYS	AUTO	

Table 73: Image Pixel Module

Attribute Name	Tag	VR	Value	Presence of Value	Source	Comment
Samples per Pixel	0028,0002	US	1	ALWAYS	AUTO	
Rows	0028,0010	US		ALWAYS	AUTO	
Columns	0028,0011	US		ALWAYS	AUTO	
Bits Allocated	0028,0100	US	16	ALWAYS	AUTO	
Bits Stored	0028,0101	US	10, 12, 15	ALWAYS	AUTO	When Parameter "Increase virtual depth for PACS" is enabled values are : 16,13,11

High Bit	0028,0102	US	11, 14, 9	ALWAYS	AUTO	When Parameter "Increase virtual depth for PACS" is enabled values are : 15,12,10
Pixel Representation	0028,0103	US	0000	ALWAYS	AUTO	
Pixel Data	7FE0,0010	OW/ OB		ALWAYS	AUTO	

Table 74: Contrast/Bolus Module

Attribute Name	Tag	VR	Value	Presence of Value	Source	Comment
Contrast/Bolus Agent	0018,0010	LO		VNAP	AUTO	

Table 75: CR Image Module

Attribute Name	Tag	VR	Value	Presence of Value	Source	Comment
KVP	0018,0060	DS		ANAP	AUTO	
Distance Source to Detector	0018,1110	DS		ANAP	AUTO	
Distance Source to Patient	0018,1111	DS		ANAP	AUTO	
Exposure Time	0018,1150	IS		ANAP	AUTO	
X-ray Tube Current	0018,1151	IS		ANAP	AUTO	
Exposure	0018,1152	IS		ANAP	AUTO	
Exposure in μ As	0018,1153	IS		ANAP	AUTO	
Imager Pixel Spacing	0018,1164	DS		ALWAYS	AUTO	
Acquisition Device Processing Description	0018,1400	LO		ANAP	AUTO	
Relative X-ray Exposure	0018,1405	IS		ANAP	AUTO	
Photometric Interpretation	0028,0004	CS	MONOCHROME2	ALWAYS	AUTO	

Table 76: Overlay Plane Module

Attribute Name	Tag	VR	Value	Presence of Value	Source	Comment
Overlay Rows	6000,0010	US		ANAP	AUTO	
Overlay Columns	6000,0011	US		ANAP	AUTO	
Overlay Type	6000,0040	CS		ANAP	AUTO	
Overlay Origin	6000,0050	SS		ANAP	AUTO	
Overlay Bits Allocated	6000,0100	US		ANAP	AUTO	
Overlay Bit Position	6000,0102	US		ANAP	AUTO	
Overlay Data	6000,3000	OW/ OB		ANAP	AUTO	

Table 77: Modality LUT Module

Attribute Name	Tag	VR	Value	Presence of Value	Source	Comment
Rescale Intercept	0028,1052	DS		ALWAYS	AUTO	
Rescale Slope	0028,1053	DS		ALWAYS	AUTO	
Rescale Type	0028,1054	LO	US	ALWAYS	AUTO	

Table 78: VOI LUT Module

Attribute Name	Tag	VR	Value	Presence of Value	Source	Comment
Window Center	0028,1050	DS		ALWAYS	AUTO	
Window Width	0028,1051	DS		ALWAYS	AUTO	

Table 79: SOP Common Module

Attribute Name	Tag	VR	Value	Presence of Value	Source	Comment
Specific Character Set	0008,0005	CS		ANAPCV	AUTO	
SOP Class UID	0008,0016	UI	1.2.840.10008.5.1.4.1.1.1	ALWAYS	AUTO	
SOP Instance UID	0008,0018	UI		ALWAYS	AUTO	

8.1.1.3. Digital X-Ray Image Storage - For Pres. SOP

Table 80: IOD of Created Digital X-Ray Image Storage - For Pres. SOP Instances

Information Entity	Module	Presence Of Module
Patient	Patient Module	ALWAYS
Study	General Study Module	ALWAYS
	Patient Study Module	CONDITIONAL
Series	General Series Module	ALWAYS
	DX Series Module	ALWAYS
Equipment	General Equipment Module	ALWAYS
Image	General Image Module	ALWAYS
	Image Pixel Module	ALWAYS
	Contrast/Bolus Module	CONDITIONAL
	Acquisition Context Module	ALWAYS
	Display Shutter Module	CONDITIONAL
	DX Anatomy Imaged Module	ALWAYS
	DX Image Module	ALWAYS
	X-Ray Collimator Module	CONDITIONAL
	DX Detector Module	ALWAYS
	DX Positioning Module	CONDITIONAL
	X-Ray Acquisition Dose Module	CONDITIONAL
	Overlay Plane Module	CONDITIONAL
	SOP Common Module	ALWAYS
	Extended Dicom and Private attributes	CONDITIONAL

Table 81: Patient Module

Attribute Name	Tag	VR	Value	Presence of Value	Source	Comment
Patient's Name	0010,0010	PN		VNAP	MWL, USER	
Patient ID	0010,0020	LO		VNAP	MWL, USER	
Patient's Birth Date	0010,0030	DA		VNAP	MWL, USER	
Patient's Sex	0010,0040	CS		VNAP	MWL, USER	
Other Patient IDs	0010,1000	LO		VNAP	MWL, USER	
Ethnic Group	0010,2160	SH		VNAP	MWL, USER	
Patient Comments	0010,4000	LT		ANAPCV	MWL, USER	
Issuer of Patient ID	0010,0021	LO		VNAP	MWL, USER	

Table 82: General Study Module

Attribute Name	Tag	VR	Value	Presence of Value	Source	Comment
Study Date	0008,0020	DA		VNAP	MPPS	
Study Time	0008,0030	TM		VNAP	MPPS	
Accession Number	0008,0050	SH		VNAP	MWL, USER	
Referring Physician's Name	0008,0090	PN		VNAP	MWL, USER	
Study Description	0008,1030	LO		ANAP	MWL, USER	
Procedure Code Sequence	0008,1032	SQ		ANAP	MWL	
>Code Value	0008,0100	SH		ALWAYS	MWL	
>Coding Scheme Designator	0008,0102	SH		ALWAYS	MWL	
>Code Meaning	0008,0104	LO		ALWAYS	MWL	
Referenced Study Sequence	0008,1110	SQ		ANAP	MWL	
>Referenced SOP Class UID	0008,1150	UI		ALWAYS	MWL	
>Referenced SOP Instance UID	0008,1155	UI		ALWAYS	MWL	
Study Instance UID	0020,000D	UI		ALWAYS	AUTO, MPPS	
Study ID	0020,0010	SH		VNAP	AUTO, MPPS	

Table 83: Patient Study Module

Attribute Name	Tag	VR	Value	Presence of Value	Source	Comment
Patient's Age	0010,1010	AS		ANAP	MWL, USER	
Patient's Size	0010,1020	DS		ANAP	MWL, USER	
Patient's Weight	0010,1030	DS		ANAP	MWL, USER	
Additional Patient History	0010,21B0	LT		ANAP	MWL, USER	

Table 84: General Series Module

Attribute Name	Tag	VR	Value	Presence of Value	Source	Comment
Series Date	0008,0021	DA		ANAP	MPPS	
Series Time	0008,0031	TM		ANAP	MPPS	
Series Description	0008,103E	LO		ANAP	MPPS, USER	
Performing Physician's Name	0008,1050	PN		ANAP	MPPS, USER	
Operators' Name	0008,1070	PN		ANAP	MPPS, USER	
Body Part Examined	0018,0015	CS		ANAP	MPPS, USER	
Protocol Name	0018,1030	LO		ANAP	MWL, USER	
Series Instance UID	0020,000E	UI		ALWAYS	AUTO, MPPS	
Series Number	0020,0011	IS		VNAP	AUTO, MPPS	

Laterality	0020,0060	CS		ANAPCV	CONFIG	
Request Attributes Sequence	0040,0275	SQ		ANAP	MPPS	
>Scheduled Procedure Step Description	0040,0007	LO		ANAP	MWL	
>Scheduled Protocol Code Sequence	0040,0008	SQ		ANAP	MWL	
>>Code Value	0008,0100	SH		ALWAYS	MWL	
>>Coding Scheme Designator	0008,0102	SH		ALWAYS	MWL	
>>Code Meaning	0008,0104	LO		ALWAYS	MWL	
>Scheduled Procedure Step ID	0040,0009	SH		ANAPEV	MWL	
>Requested Procedure ID	0040,1001	SH		ANAPEV	MWL	
Performed Procedure Step Start Date	0040,0244	DA		ANAP	AUTO, MPPS	
Performed Procedure Step Start Time	0040,0245	TM		ANAP	AUTO, MPPS	
Performed Procedure Step ID	0040,0253	SH		ANAP	AUTO, MPPS	
Performed Procedure Step Description	0040,0254	LO		ANAP	AUTO, MPPS	
Performed Protocol Code Sequence	0040,0260	SQ		ANAP	MWL	
>Code Value	0008,0100	SH		ALWAYS	MWL	
>Coding Scheme Designator	0008,0102	SH		ALWAYS	MWL	
>Code Meaning	0008,0104	LO		ALWAYS	MWL	

Table 85: DX Series Module

Attribute Name	Tag	VR	Value	Presence of Value	Source	Comment
Modality	0008,0060	CS	DX	ALWAYS	CONFIG	
Presentation Intent Type	0008,0068	CS	FOR PRESENTATION	ALWAYS	AUTO	
Referenced Performed Procedure Step Sequence	0008,1111	SQ		ANAPEV	AUTO	
>Referenced SOP Class UID	0008,1150	UI		ANAPEV	AUTO	
>Referenced SOP Instance UID	0008,1155	UI		ANAPEV	AUTO	

Table 86: General Equipment Module

Attribute Name	Tag	VR	Value	Presence of Value	Source	Comment
Manufacturer	0008,0070	LO	Philips	VNAP	AUTO	
Institution Name	0008,0080	LO		ANAP	CONFIG	
Institution Address	0008,0081	ST		ANAP	CONFIG	
Station Name	0008,1010	SH		ANAP	CONFIG	
Institutional Department Name	0008,1040	LO		ANAP	CONFIG	
Manufacturer's Model Name	0008,1090	LO		ANAP	AUTO	
Device Serial Number	0018,1000	LO		ANAP	AUTO	
Software Version(s)	0018,1020	LO		ANAP	AUTO	
Spatial Resolution	0018,1050	DS		ANAP	AUTO	

Table 87: General Image Module

Attribute Name	Tag	VR	Value	Presence of Value	Source	Comment
Acquisition Date	0008,0022	DA		ANAP	AUTO	
Content Date	0008,0023	DA		ANAPCV	AUTO	

Acquisition Time	0008,0032	TM		ANAP	AUTO	
Content Time	0008,0033	TM		ANAPCV	AUTO	
Source Image Sequence	0008,2112	SQ		ANAP	AUTO	
Instance Number	0020,0013	IS		VNAP	AUTO	
Quality Control Image	0028,0300	CS		ALWAYS	AUTO	

Table 88: Image Pixel Module

Attribute Name	Tag	VR	Value	Presence of Value	Source	Comment
Rows	0028,0010	US		ALWAYS	AUTO	
Columns	0028,0011	US		ALWAYS	AUTO	
Pixel Aspect Ratio	0028,0034	IS	Value 1: 1,1	ANAPEV	AUTO	
Pixel Data	7FE0,0010	OW /OB		ALWAYS	AUTO	

Table 89: Contrast/Bolus Module

Attribute Name	Tag	VR	Value	Presence of Value	Source	Comment
Contrast/Bolus Agent	0018,0010	LO		ANAP	AUTO	

Table 90: Acquisition Context Module

Attribute Name	Tag	VR	Value	Presence of Value	Source	Comment
Acquisition Context Sequence	0040,0555	SQ		VNAP	AUTO	

Table 91: Display Shutter Module

Attribute Name	Tag	VR	Value	Presence of Value	Source	Comment
Shutter Shape	0018,1600	CS		ALWAYS	AUTO	
Shutter Left Vertical Edge	0018,1602	IS		ANAPEV	AUTO	
Shutter Right Vertical Edge	0018,1604	IS		ANAPEV	AUTO	
Shutter Upper Horizontal Edge	0018,1606	IS		ANAPEV	AUTO	
Shutter Lower Horizontal Edge	0018,1608	IS		ANAPEV	AUTO	
Center of Circular Shutter	0018,1610	IS		ANAPEV	AUTO	
Radius of Circular Shutter	0018,1612	IS		ANAPEV	AUTO	
Vertices of the Polygonal Shutter	0018,1620	IS		ANAPEV	AUTO	

Table 92: DX Anatomy Imaged Module

Attribute Name	Tag	VR	Value	Presence of Value	Source	Comment
Image Laterality	0020,0062	CS		VNAP	AUTO	
Anatomic Region Sequence	0008,2218	SQ		VNAP	AUTO	

Table 93: DX Image Module

Attribute Name	Tag	VR	Value	Presence of Value	Source	Comment
Image Type	0008,0008	CS	Value 1: ORIGINAL, Value 2: PRIMARY	ALWAYS	AUTO	
Acquisition Device Processing Description	0018,1400	LO		ANAP	AUTO	
Patient Orientation	0020,0020	CS		ALWAYS	AUTO	
Samples per Pixel	0028,0002	US	1	ALWAYS	AUTO	
Photometric Interpretation	0028,0004	CS	MONOCHROME2	ALWAYS	AUTO	
Bits Allocated	0028,0100	US	16	ALWAYS	AUTO	

Bits Stored	0028,0101	US	10, 12, 15	ALWAYS	CONFIG	
High Bit	0028,0102	US	11, 14, 9	ALWAYS	AUTO	
Pixel Representation	0028,0103	US	0	ALWAYS	AUTO	
Burned In Annotation	0028,0301	CS		ALWAYS	CONFIG	
Pixel Intensity Relationship	0028,1040	CS	LOG	ALWAYS	AUTO	
Pixel Intensity Relationship Sign	0028,1041	SS	-1	ALWAYS	AUTO	
Window Center	0028,1050	DS		ANAPEV	AUTO	
Window Width	0028,1051	DS		ANAPEV	AUTO	
Rescale Intercept	0028,1052	DS		ALWAYS	AUTO	
Rescale Slope	0028,1053	DS		ALWAYS	AUTO	
Rescale Type	0028,1054	LO		ALWAYS	AUTO	
Lossy Image Compression	0028,2110	CS	00	ALWAYS	AUTO	
Presentation LUT Shape	2050,0020	CS	IDENTITY	ALWAYS	AUTO	

Table 94: X-Ray Collimator Module

Attribute Name	Tag	VR	Value	Presence of Value	Source	Comment
Collimator Shape	0018,1700	CS		ALWAYS	AUTO	
Collimator Left Vertical Edge	0018,1702	IS		ANAPEV	AUTO	
Collimator Right Vertical Edge	0018,1704	IS		ANAPEV	AUTO	
Collimator Upper Horizontal Edge	0018,1706	IS		ANAPEV	AUTO	
Collimator Lower Horizontal Edge	0018,1708	IS		ANAPEV	AUTO	
Center of Circular Collimator	0018,1710	IS		ANAPEV	AUTO	
Radius of Circular Collimator	0018,1712	IS		ANAPEV	AUTO	
Vertices of the Polygonal Collimator	0018,1720	IS		ANAPEV	AUTO	

Table 95: DX Detector Module

Attribute Name	Tag	VR	Value	Presence of Value	Source	Comment
Imager Pixel Spacing	0018,1164	DS		ALWAYS	AUTO	
Field of View Origin	0018,7030	DS		ANAPEV	AUTO	
Field of View Rotation	0018,7032	DS		ANAPEV	AUTO	
Field of View Horizontal Flip	0018,7034	CS		ANAPEV	AUTO	
Detector Temperature	0018,7001	DS		VNAP	AUTO	
Detector Type	0018,7004	CS		VNAP	AUTO	
Detector Mode	0018,7008	LT		ANAPCV	AUTO	
Date of Last Detector Calibration	0018,700C	DA		ANAP	AUTO	
Time of Last Detector Calibration	0018,700E	TM		ANAP	AUTO	
Detector Time Since Last Exposure	0018,7012	DS		ANAPCV	AUTO	
Detector Manufacturer Name	0018,702A	LO		VNAP	AUTO	
Detector Manufacturer's Model Name	0018,702B	LO		VNAP	AUTO	

Table 96: DX Positioning Module

Attribute Name	Tag	VR	Value	Presence of Value	Source	Comment
Distance Source to Detector	0018,1110	DS		ANAP	AUTO	
Estimated Radiographic Magnification Factor	0018,1114	DS		ANAP	AUTO	

Positioner Type	0018,1508	CS		VNAP	AUTO	
Positioner Primary Angle	0018,1510	DS		ANAP	AUTO	
Positioner Secondary Angle	0018,1511	DS		ANAP	AUTO	
View Position	0018,5101	CS		ANAP	AUTO	

Table 97: X-Ray Acquisition Dose Module

Attribute Name	Tag	VR	Value	Presence of Value	Source	Comment
KVP	0018,0060	DS		ANAP	AUTO	
Distance Source to Detector	0018,1110	DS		ANAP	AUTO	
Distance Source to Patient	0018,1111	DS		ANAP	AUTO	
Exposure Time	0018,1150	IS		ANAP	AUTO	
X-ray Tube Current	0018,1151	IS		ANAP	AUTO	
Exposure	0018,1152	IS		ANAP	AUTO	
Exposure in µAs	0018,1153	IS		ANAP	AUTO	
Image and Fluoroscopy Area Dose Product	0018,115E	DS		ANAP	AUTO	
Relative X-ray Exposure	0018,1405	IS		ANAP	AUTO	
Exposure Time in mS	0018,8150	DS		ANAP	AUTO	
Entrance Dose	0040,0302	US		ANAP	AUTO	

Table 98: Overlay Plane Module

Attribute Name	Tag	VR	Value	Presence of Value	Source	Comment
Overlay Rows	6000,0010	US		ALWAYS	AUTO	
Overlay Columns	6000,0011	US		ALWAYS	AUTO	
Overlay Type	6000,0040	CS		ALWAYS	AUTO	
Overlay Origin	6000,0050	SS		ALWAYS	AUTO	
Overlay Bits Allocated	6000,0100	US		ALWAYS	AUTO	
Overlay Bit Position	6000,0102	US		ALWAYS	AUTO	
Overlay Data	6000,3000	OW/ OB		ANAPEV	AUTO	

Table 99: SOP Common Module

Attribute Name	Tag	VR	Value	Presence of Value	Source	Comment
Specific Character Set	0008,0005	CS		ANAPEV	AUTO	
SOP Class UID	0008,0016	UI	1.2.840.10008.5.1.4.1.1.1.1	ANAPEV	AUTO	
SOP Instance UID	0008,0018	UI		ANAPEV	AUTO	

8.1.1.4. Digital X-Ray Image Storage - For Proc. SOP

Table 100: IOD of Created Digital X-Ray Image Storage - For Proc. SOP Instances

Information Entity	Module	Presence Of Module
Patient	Patient Module	ALWAYS
Study	General Study Module	ALWAYS
	Patient Study Module	CONDITIONAL
Series	General Series Module	ALWAYS
	DX Series Module	ALWAYS
Equipment	General Equipment Module	ALWAYS
Image	General Image Module	ALWAYS

Image Pixel Module	ALWAYS
Contrast/Bolus Module	CONDITIONAL
Acquisition Context Module	ALWAYS
Display Shutter Module	CONDITIONAL
DX Anatomy Imaged Module	ALWAYS
DX Image Module	ALWAYS
X-Ray Collimator Module	CONDITIONAL
DX Detector Module	ALWAYS
DX Positioning Module	CONDITIONAL
X-Ray Acquisition Dose Module	CONDITIONAL
Overlay Plane Module	CONDITIONAL
SOP Common Module	ALWAYS
Extended Dicom and Private attributes	CONDITIONAL

Table 101: Patient Module

Attribute Name	Tag	VR	Value	Presence of Value	Source	Comment
Patient's Name	0010,0010	PN		VNAP	MWL, USER	
Patient ID	0010,0020	LO		ALWAYS	MWL, USER	
Patient's Birth Date	0010,0030	DA		VNAP	MWL, USER	
Patient's Sex	0010,0040	CS	F, M, O	VNAP	MWL, USER	
Other Patient IDs	0010,1000	LO		ANAP	MWL, USER	
Ethnic Group	0010,2160	SH		ANAP	MWL, USER	
Patient Comments	0010,4000	LT		ANAP	MWL, USER	
Issuer of Patient ID	0010,0021	LO		ANAP	MWL, USER	

Table 102: General Study Module

Attribute Name	Tag	VR	Value	Presence of Value	Source	Comment
Study Date	0008,0020	DA		ALWAYS	MPPS	
Study Time	0008,0030	TM		ALWAYS	MPPS	
Accession Number	0008,0050	SH		VNAP	MWL, USER	
Referring Physician's Name	0008,0090	PN		VNAP	MWL, USER	
Study Description	0008,1030	LO		ANAP	MWL, USER	
Procedure Code Sequence	0008,1032	SQ		ANAP	MWL	
>Code Value	0008,0100	SH		ALWAYS	MWL	
>Coding Scheme Designator	0008,0102	SH		ALWAYS	MWL	
>Code Meaning	0008,0104	LO		ALWAYS	MWL	
Referenced Study Sequence	0008,1110	SQ		ANAP	MWL	
>Referenced SOP Class UID	0008,1150	UI		ANAPEV	MWL	
>Referenced SOP Instance UID	0008,1155	UI		ANAPEV	MWL	
Study Instance UID	0020,000D	UI		ALWAYS	AUTO, MPPS	

Study ID	0020,0010	SH		ALWAYS	AUTO, MPPS	
----------	-----------	----	--	--------	---------------	--

Table 103: Patient Study Module

Attribute Name	Tag	VR	Value	Presence of Value	Source	Comment
Patient's Age	0010,1010	AS		ANAP	MWL, USER	
Patient's Size	0010,1020	DS		ANAP	MWL, USER	
Patient's Weight	0010,1030	DS		ANAP	MWL, USER	
Additional Patient History	0010,21B0	LT		ANAP	MWL, USER	

Table 104: General Series Module

Attribute Name	Tag	VR	Value	Presence of Value	Source	Comment
Series Date	0008,0021	DA		ANAP	MPPS	
Series Time	0008,0031	TM		ANAP	MPPS	
Series Description	0008,103E	LO		ANAP	MPPS, USER	
Performing Physician's Name	0008,1050	PN		ANAP	MPPS, USER	
Operators' Name	0008,1070	PN		ANAP	MPPS, USER	
Body Part Examined	0018,0015	CS		ANAP	MPPS, USER	
Protocol Name	0018,1030	LO		ANAP	MWL, USER	
Series Instance UID	0020,000E	UI		ALWAYS	AUTO, MPPS	
Series Number	0020,0011	IS		VNAP	AUTO, MPPS	
Laterality	0020,0060	CS		ANAPCV	CONFI G	
Request Attributes Sequence	0040,0275	SQ		ANAP	MWL	
>Scheduled Procedure Step Description	0040,0007	LO		ANAP	MWL	
>Scheduled Protocol Code Sequence	0040,0008	SQ		ANAP	MWL	
>>Code Value	0008,0100	SH		ALWAYS	MWL	
>>Coding Scheme Designator	0008,0102	SH		ALWAYS	MWL	
>>Code Meaning	0008,0104	LO		ALWAYS	MWL	
>Scheduled Procedure Step ID	0040,0009	SH		ANAPEV	MWL	
>Requested Procedure ID	0040,1001	SH		ANAPEV	MWL	
Performed Procedure Step Start Date	0040,0244	DA		ANAP	AUTO, MPPS	
Performed Procedure Step Start Time	0040,0245	TM		ANAP	AUTO, MPPS	
Performed Procedure Step ID	0040,0253	SH		ANAP	AUTO, MPPS	
Performed Procedure Step Description	0040,0254	LO		ANAP	AUTO, MPPS	
Performed Protocol Code Sequence	0040,0260	SQ		ANAP	MWL	
>Code Value	0008,0100	SH		ALWAYS	MWL	

>Coding Scheme Designator	0008,0102	SH		ALWAYS	MWL	
>Code Meaning	0008,0104	LO		ALWAYS	MWL	

Table 105: DX Series Module

Attribute Name	Tag	VR	Value	Presence of Value	Source	Comment
Modality	0008,0060	CS	DX	ALWAYS	CONFIG	
Presentation Intent Type	0008,0068	CS	FOR PROCESSING	ALWAYS	AUTO	
Referenced Performed Procedure Step Sequence	0008,1111	SQ		ANAPEV	AUTO	
>Referenced SOP Class UID	0008,1150	UI		ANAPEV	AUTO	
>Referenced SOP Instance UID	0008,1155	UI		ANAPEV	AUTO	

Table 106: General Equipment Module

Attribute Name	Tag	VR	Value	Presence of Value	Source	Comment
Manufacturer	0008,0070	LO	Philips	ALWAYS	AUTO	
Institution Name	0008,0080	LO		ALWAYS	CONFIG	
Institution Address	0008,0081	ST		ALWAYS	CONFIG	
Station Name	0008,1010	SH		ALWAYS	CONFIG	
Institutional Department Name	0008,1040	LO		ALWAYS	CONFIG	
Manufacturer's Model Name	0008,1090	LO		ALWAYS	AUTO	
Device Serial Number	0018,1000	LO		ALWAYS	CONFIG	
Software Version(s)	0018,1020	LO		ALWAYS	AUTO	
Spatial Resolution	0018,1050	DS		ALWAYS	AUTO	

Table 107: General Image Module

Attribute Name	Tag	VR	Value	Presence of Value	Source	Comment
Acquisition Date	0008,0022	DA		ALWAYS	AUTO	
Content Date	0008,0023	DA		ALWAYS	AUTO	
Acquisition Time	0008,0032	TM		ALWAYS	AUTO	
Content Time	0008,0033	TM		ALWAYS	AUTO	
Source Image Sequence	0008,2112	SQ		ANAP	AUTO	
Instance Number	0020,0013	IS		VNAP	AUTO	
Quality Control Image	0028,0300	CS		ALWAYS	AUTO	

Table 108: Image Pixel Module

Attribute Name	Tag	VR	Value	Presence of Value	Source	Comment
Rows	0028,0010	US		ALWAYS	AUTO	
Columns	0028,0011	US		ALWAYS	AUTO	
Pixel Aspect Ratio	0028,0034	IS	Value 1: 1,1	ANAPEV	AUTO	
Pixel Data	7FE0,0010	OW/ OB		ALWAYS	AUTO	

Table 109: Contrast/Bolus Module

Attribute Name	Tag	VR	Value	Presence of Value	Source	Comment
Contrast/Bolus Agent	0018,0010	LO		VNAP	AUTO	

Table 110: Acquisition Context Module

Attribute Name	Tag	VR	Value	Presence of Value	Source	Comment
Acquisition Context Sequence	0040,0555	SQ		VNAP	AUTO	

Table 111: Display Shutter Module

Attribute Name	Tag	VR	Value	Presence of Value	Source	Comment
Shutter Shape	0018,1600	CS		ALWAYS	AUTO	
Shutter Left Vertical Edge	0018,1602	IS		ANAPEV	AUTO	
Shutter Right Vertical Edge	0018,1604	IS		ANAPEV	AUTO	
Shutter Upper Horizontal Edge	0018,1606	IS		ANAPEV	AUTO	
Shutter Lower Horizontal Edge	0018,1608	IS		ANAPEV	AUTO	
Center of Circular Shutter	0018,1610	IS		ANAPEV	AUTO	
Radius of Circular Shutter	0018,1612	IS		ANAPEV	AUTO	
Vertices of the Polygonal Shutter	0018,1620	IS		ANAPEV	AUTO	

Table 112: DX Anatomy Imaged Module

Attribute Name	Tag	VR	Value	Presence of Value	Source	Comment
Image Laterality	0020,0062	CS		VNAP	AUTO	
Anatomic Region Sequence	0008,2218	SQ		VNAP	AUTO	

Table 113: DX Image Module

Attribute Name	Tag	VR	Value	Presence of Value	Source	Comment
Image Type	0008,0008	CS	Value 1: ORIGINAL, Value 2: PRIMARY	ALWAYS	AUTO	
Acquisition Device Processing Description	0018,1400	LO		ANAP	AUTO	
Patient Orientation	0020,0020	CS		ALWAYS	AUTO	
Samples per Pixel	0028,0002	US		ALWAYS	AUTO	
Photometric Interpretation	0028,0004	CS	MONOCHROME1	ALWAYS	AUTO	
Bits Allocated	0028,0100	US	16	ALWAYS	AUTO	
Bits Stored	0028,0101	US	10, 12, 15	ALWAYS	CONFIG	When Parameter "Increase virtual depth for PACS" is enabled values are : 16,13,11
High Bit	0028,0102	US	11, 14, 9	ALWAYS	AUTO	When Parameter "Increase virtual depth for PACS" is enabled values are : 15,12,10
Pixel Representation	0028,0103	US		ALWAYS	AUTO	
Burned In Annotation	0028,0301	CS		ALWAYS	CONFIG	
Pixel Intensity Relationship	0028,1040	CS	LOG	ALWAYS	AUTO	
Pixel Intensity Relationship Sign	0028,1041	SS	1	ALWAYS	AUTO	
Window Center	0028,1050	DS	Value 1: 16384	ANAPEV	AUTO	
Window Width	0028,1051	DS	Value 1: 32768	ANAPEV	AUTO	
Rescale Intercept	0028,1052	DS		ALWAYS	AUTO	
Rescale Slope	0028,1053	DS		ALWAYS	AUTO	
Rescale Type	0028,1054	LO		ALWAYS	AUTO	
Lossy Image Compression	0028,2110	CS	00	ALWAYS	AUTO	
Presentation LUT Shape	2050,0020	CS	IDENTITY	ALWAYS	AUTO	

Table 114: X-Ray Collimator Module

Attribute Name	Tag	VR	Value	Presence of Value	Source	Comment
Collimator Shape	0018,1700	CS		ALWAYS	AUTO	
Collimator Left Vertical Edge	0018,1702	IS		ANAPEV	AUTO	
Collimator Right Vertical Edge	0018,1704	IS		ANAPEV	AUTO	
Collimator Upper Horizontal Edge	0018,1706	IS		ANAPEV	AUTO	
Collimator Lower Horizontal Edge	0018,1708	IS		ANAPEV	AUTO	
Center of Circular Collimator	0018,1710	IS		ANAPEV	AUTO	
Radius of Circular Collimator	0018,1712	IS		ANAPEV	AUTO	
Vertices of the Polygonal Collimator	0018,1720	IS		ANAPEV	AUTO	

Table 115: DX Detector Module

Attribute Name	Tag	VR	Value	Presence of Value	Source	Comment
Imager Pixel Spacing	0018,1164	DS		ALWAYS	AUTO	
Field of View Origin	0018,7030	DS		ANAPEV	AUTO	
Field of View Rotation	0018,7032	DS		ANAPEV	AUTO	
Field of View Horizontal Flip	0018,7034	CS		ANAPEV	AUTO	
Detector Temperature	0018,7001	DS		VNAP	AUTO	
Detector Type	0018,7004	CS		VNAP	AUTO	
Detector Mode	0018,7008	LT		ANAPCV	AUTO	
Date of Last Detector Calibration	0018,700C	DA		ANAP	AUTO	
Time of Last Detector Calibration	0018,700E	TM		ANAP	AUTO	
Detector Time Since Last Exposure	0018,7012	DS		ANAPCV	AUTO	
Detector Manufacturer Name	0018,702A	LO		VNAP	AUTO	
Detector Manufacturer's Model Name	0018,702B	LO		VNAP	AUTO	

Table 116: DX Positioning Module

Attribute Name	Tag	VR	Value	Presence of Value	Source	Comment
Distance Source to Detector	0018,1110	DS		ANAP	AUTO	
Estimated Radiographic Magnification Factor	0018,1114	DS		ANAP	AUTO	
Positioner Type	0018,1508	CS		VNAP	AUTO	
Positioner Primary Angle	0018,1510	DS		ANAP	AUTO	
Positioner Secondary Angle	0018,1511	DS		ANAP	AUTO	
View Position	0018,5101	CS		ANAP	AUTO	

Table 117: X-Ray Acquisition Dose Module

Attribute Name	Tag	VR	Value	Presence of Value	Source	Comment
KVP	0018,0060	DS		ANAP	AUTO	
Distance Source to Detector	0018,1110	DS		ANAP	AUTO	
Distance Source to Patient	0018,1111	DS		ANAP	AUTO	
Exposure Time	0018,1150	IS		ANAP	AUTO	
X-ray Tube Current	0018,1151	IS		ANAP	AUTO	
Exposure	0018,1152	IS		ANAP	AUTO	
Exposure in μ As	0018,1153	IS		ANAP	AUTO	
Image and Fluoroscopy Area Dose Product	0018,115E	DS		ANAP	AUTO	
Relative X-ray Exposure	0018,1405	IS		ANAP	AUTO	

Exposure Time in mS	0018,8150	DS		ANAP	AUTO	
Entrance Dose	0040,0302	US		ANAP	AUTO	

Table 118: Overlay Plane Module

Attribute Name	Tag	VR	Value	Presence of Value	Source	Comment
Overlay Rows	6000,0010	US		ALWAYS	AUTO	
Overlay Columns	6000,0011	US		ALWAYS	AUTO	
Overlay Type	6000,0040	CS	G	ALWAYS	AUTO, CONFIG	
Overlay Origin	6000,0050	SS	Value 1: 1,1	ALWAYS	AUTO	
Overlay Bits Allocated	6000,0100	US	1	ALWAYS	AUTO	
Overlay Bit Position	6000,0102	US	0	ALWAYS	AUTO	
Overlay Data	6000,3000	OW/ OB		ANAPEV	AUTO	

Table 119: SOP Common Module

Attribute Name	Tag	VR	Value	Presence of Value	Source	Comment
Specific Character Set	0008,0005	CS		ANAPEV	AUTO	
SOP Class UID	0008,0016	UI	1.2.840.10008.5.1.4.1.1.1.1.1	ANAPEV	AUTO	
SOP Instance UID	0008,0018	UI		ANAPEV	AUTO	

8.1.1.5. Secondary Capture Image Storage SOP Class

Table 120: IOD of Created Secondary Capture Image Storage SOP Class Instances

Information Entity	Module	Presence Of Module
Patient	Patient Module	ALWAYS
Study	General Study Module	ALWAYS
	Patient Study Module	ALWAYS
Series	General Series Module	ALWAYS
Equipment	General Equipment Module	ALWAYS
	SC Equipment Module	ALWAYS
Image	General Image Module	ALWAYS
	Image Pixel Module	ALWAYS
	SC Image Module	ALWAYS
	VOI LUT Module	ALWAYS
	SOP Common Module	ALWAYS
	Extended Dicom and Private attributes	CONDITIONAL

Table 121: Patient Module

Attribute Name	Tag	VR	Value	Presence of Value	Source	Comment
Patient's Name	0010,0010	PN		VNAP	MWL, USER	
Patient ID	0010,0020	LO		ALWAYS	MWL, USER	
Patient's Birth Date	0010,0030	DA		VNAP	MWL, USER	
Patient's Sex	0010,0040	CS		VNAP	MWL, USER	

Other Patient IDs	0010,1000	LO		VNAP	MWL, USER	
Ethnic Group	0010,2160	SH		VNAP	MWL, USER	
Patient Comments	0010,4000	LT		ANAPCV	MWL, USER	
Issuer of Patient ID	0010,0021	LO		VNAP	MWL, USER	

Table 122: General Study Module

Attribute Name	Tag	VR	Value	Presence of Value	Source	Comment
Study Date	0008,0020	DA		VNAP	AUTO	
Study Time	0008,0030	TM		VNAP	AUTO	
Accession Number	0008,0050	SH		VNAP	MWL, USER	
Referring Physician's Name	0008,0090	PN		VNAP	MWL, USER	
Study Description	0008,1030	LO		ANAP	MWL, USER	
Procedure Code Sequence	0008,1032	SQ		ANAP	MWL	
>Code Value	0008,0100	SH		ALWAYS	MWL	
>Coding Scheme Designator	0008,0102	SH		ALWAYS	MWL	
>Code Meaning	0008,0104	LO		ALWAYS	MWL	
Referenced Study Sequence	0008,1110	SQ		ANAP	MWL	
>Referenced SOP Class UID	0008,1150	UI		ANAPEV	MWL	
>Referenced SOP Instance UID	0008,1155	UI		ANAPEV	MWL	
Study Instance UID	0020,000D	UI		ALWAYS	AUTO, MWL	
Study ID	0020,0010	SH		VNAP	AUTO, MWL	

Table 123: Patient Study Module

Attribute Name	Tag	VR	Value	Presence of Value	Source	Comment
Patient's Age	0010,1010	AS		ANAP	AUTO, MWL, USER	
Patient's Size	0010,1020	DS		ANAP	AUTO, MWL	
Patient's Weight	0010,1030	DS		VNAP	AUTO, MWL	
Additional Patient History	0010,21B0	LT		VNAP	AUTO, MWL	

Table 124: General Series Module

Attribute Name	Tag	VR	Value	Presence of Value	Source	Comment
Series Date	0008,0021	DA		ANAP	AUTO	
Series Time	0008,0031	TM		ANAP	AUTO	
Series Description	0008,103E	LO		ANAP	MPPS, USER	
Performing Physician's Name	0008,1050	PN		ANAP	MPPS, USER	

Operators' Name	0008,1070	PN		ALWAYS	MPPS, USER	
Referenced Performed Procedure Step Sequence	0008,1111	SQ		ALWAYS	AUTO	
>Referenced SOP Class UID	0008,1150	UI		ALWAYS	AUTO	
>Referenced SOP Instance UID	0008,1155	UI		ALWAYS	AUTO	
Body Part Examined	0018,0015	CS		VNAP	MPPS, USER	
Protocol Name	0018,1030	LO		ALWAYS	MWL, USER	
Series Instance UID	0020,000E	UI		ALWAYS	AUTO, MPPS	
Series Number	0020,0011	IS		ALWAYS	AUTO, MPPS	
Laterality	0020,0060	CS		VNAP	CONFIG	
Request Attributes Sequence	0040,0275	SQ		ANAP	MWL	
>Scheduled Procedure Step Description	0040,0007	LO		ANAP	MWL	
>Scheduled Protocol Code Sequence	0040,0008	SQ		ANAP	MWL	
>>Code Value	0008,0100	SH		ALWAYS	MWL	
>>Coding Scheme Designator	0008,0102	SH		ALWAYS	MWL	
>>Code Meaning	0008,0104	LO		ALWAYS	MWL	
>Scheduled Procedure Step ID	0040,0009	SH		ANAPEV	MWL	
>Requested Procedure ID	0040,1001	SH		ANAPEV	MWL	
Performed Procedure Step Start Date	0040,0244	DA		ANAP	AUTO, MPPS	
Performed Procedure Step Start Time	0040,0245	TM		ANAP	AUTO, MPPS	
Performed Procedure Step ID	0040,0253	SH		ANAP	AUTO, MPPS	
Performed Procedure Step Description	0040,0254	LO		ANAP	AUTO, MPPS	
Performed Protocol Code Sequence	0040,0260	SQ		ANAP	MWL	
>Code Value	0008,0100	SH		ALWAYS	MWL	
>Coding Scheme Designator	0008,0102	SH		ALWAYS	MWL	
>Code Meaning	0008,0104	LO		ALWAYS	MWL	

Table 125: General Equipment Module

Attribute Name	Tag	VR	Value	Presence of Value	Source	Comment
Manufacturer	0008,0070	LO	Philips	ALWAYS	AUTO	
Institution Name	0008,0080	LO		ALWAYS	CONFIG	
Institution Address	0008,0081	ST		ALWAYS	CONFIG	
Station Name	0008,1010	SH		ALWAYS	CONFIG	
Institutional Department Name	0008,1040	LO		ALWAYS	CONFIG	
Manufacturer's Model Name	0008,1090	LO		ALWAYS	AUTO	
Device Serial Number	0018,1000	LO		ANAP	CONFIG	
Software Version(s)	0018,1020	LO		ALWAYS	AUTO	
Spatial Resolution	0018,1050	DS		ALWAYS	AUTO	

Table 126: SC Equipment Module

Attribute Name	Tag	VR	Value	Presence of Value	Source	Comment
Modality	0008,0060	CS		ALWAYS	AUTO	
Conversion Type	0008,0064	CS		ALWAYS	AUTO	

Table 127: General Image Module

Attribute Name	Tag	VR	Value	Presence of Value	Source	Comment
Image Type	0008,0008	CS		ALWAYS	AUTO	
Acquisition Date	0008,0022	DA		ALWAYS	AUTO	
Content Date	0008,0023	DA		ALWAYS	AUTO	
Acquisition Time	0008,0032	TM		ALWAYS	AUTO	
Content Time	0008,0033	TM		ALWAYS	AUTO	
Instance Number	0020,0013	IS		ALWAYS	AUTO	
Patient Orientation	0020,0020	CS		VNAP	USER	
Quality Control Image	0028,0300	CS		ALWAYS	AUTO	
Burned In Annotation	0028,0301	CS		ALWAYS	AUTO	
Lossy Image Compression	0028,2110	CS		ANAP	AUTO	

Table 128: Image Pixel Module

Attribute Name	Tag	VR	Value	Presence of Value	Source	Comment
Samples per Pixel	0028,0002	US	1	ALWAYS	AUTO	
Photometric Interpretation	0028,0004	CS		ALWAYS	AUTO	
Rows	0028,0010	US		ALWAYS	AUTO	
Columns	0028,0011	US		ALWAYS	AUTO	
Bits Allocated	0028,0100	US	16	ALWAYS	AUTO	
Bits Stored	0028,0101	US	10, 12, 15	ALWAYS	CONFIG	When Parameter "Increase virtual depth for PACS" is enabled values are : 16,13,11
High Bit	0028,0102	US	11, 14, 9	ALWAYS	AUTO	When Parameter "Increase virtual depth for PACS" is enabled values are : 15,12,10
Pixel Representation	0028,0103	US	0000	ALWAYS	AUTO	
Pixel Data	7FE0,0010	OW/ OB		ALWAYS	AUTO	

Table 129: SC Image Module

Attribute Name	Tag	VR	Value	Presence of Value	Source	Comment
Date of Secondary Capture	0018,1012	DA		ALWAYS	AUTO	
Time of Secondary Capture	0018,1014	TM		ALWAYS	AUTO	

Table 130: VOI LUT Module

Attribute Name	Tag	VR	Value	Presence of Value	Source	Comment
Window Center	0028,1050	DS	Value 1: 2048	ALWAYS	AUTO	
Window Width	0028,1051	DS	Value 1: 4096	ALWAYS	AUTO	

Table 131: SOP Common Module

Attribute Name	Tag	VR	Value	Presence of Value	Source	Comment
Specific Character Set	0008,0005	CS		ANAPCV	AUTO	
SOP Class UID	0008,0016	UI	1.2.840.10008.5.1.4.1.1.7	ALWAYS	AUTO	
SOP Instance UID	0008,0018	UI		ALWAYS	AUTO	

8.1.1.6. X-Ray Radiation Dose SR

Table 132: IOD of Created X-Ray Radiation Dose SR Instances

Information Entity	Module	Presence Of Module
Patient	Patient Module	ALWAYS
Study	General Study Module	ALWAYS
	Patient Study Module	ALWAYS
Series	SR Document Series Module	ALWAYS
Equipment	General Equipment Module	ALWAYS
Document	SR Document General Module	ALWAYS
	SR Document Content Module	ALWAYS
	SOP Common Module	ALWAYS

Table 133: Patient Module

Attribute Name	Tag	VR	Value	Presence of Value	Source	Comment
Referenced Patient Sequence	0008,1120	SQ		VNAP	MWL	
>Referenced SOP Class UID	0008,1150	UI		ALWAYS	MWL	
>Referenced SOP Instance UID	0008,1155	UI		ALWAYS	MWL	
Patient's Name	0010,0010	PN		VNAP	MWL, USER	
Patient ID	0010,0020	LO		VNAP	MWL, USER	
Patient's Birth Date	0010,0030	DA		VNAP	MWL, USER	
Patient's Sex	0010,0040	CS	F, M, O	VNAP	MWL, USER	
Other Patient IDs	0010,1000	LO		ANAPCV	MWL	
Ethnic Group	0010,2160	SH		ANAPCV	MWL	
Patient Comments	0010,4000	LT		ANAPCV	MWL, USER	

Table 134: General Study Module

Attribute Name	Tag	VR	Value	Presence of Value	Source	Comment
Study Date	0008,0020	DA		VNAP	AUTO	<yyyymmdd>
Study Time	0008,0030	TM		VNAP	AUTO	<hhmmss>
Accession Number	0008,0050	SH		VNAP	MWL, USER	
Referring Physician's Name	0008,0090	PN		VNAP	MWL	
Study Description	0008,1030	LO		ANAPCV	AUTO, MWL	
Study Instance UID	0020,000D	UI		ALWAYS	AUTO	
Study ID	0020,0010	SH		VNAP	MWL	
Requesting Service	0032,1033	LO		ANAP		

Table 135: Patient Study Module

Attribute Name	Tag	VR	Value	Presence of Value	Source	Comment
Patient's Weight	0010,1030	DS		ANAP	MWL, USER	
Patient's Size	0010,1020	DS		ANAP	MWL, USER	
Patient's Age	0010,1010	AS		ANAP	MWL, USER	
Medical Alerts	0010,2000	LO		ANAP	MWL, USER	
Allergies	0010,2110	LO		ANAP	MWL, USER	
Additional Patient History	0010,21B0			ANAP	MWL, USER	
Pregnancy Status	0010,21C0			ANAP	MWL, USER	
Patient State	0038,0500			ANAP	MWL, USER	

Table 136: SR Document Series Module

Attribute Name	Tag	VR	Value	Presence of Value	Source	Comment
Series Date	0008,0021	DA		ANAPCV	AUTO	
Series Time	0008,0031	TM		ANAPCV	AUTO	
Modality	0008,0060	CS	SR	ALWAYS	FIXED	
Series Description	0008,103E	LO		ANAPCV	CONFIG	
Referenced Performed Procedure Step Sequence	0008,1111	SQ		VNAP	COPY	
>Referenced SOP Class UID	0008,1150	UI		ALWAYS	AUTO	
>Referenced SOP Instance UID	0008,1155	UI		ALWAYS	AUTO	
Series Instance UID	0020,000E	UI		ALWAYS	AUTO	
Series Number	0020,0011	IS		ALWAYS	FIXED	

Table 137: General Equipment Module

Attribute Name	Tag	VR	Value	Presence of Value	Source	Comment
Manufacturer	0008,0070	LO	Philips	VNAP	AUTO	"Philips"
Institution Name	0008,0080	LO		ANAPCV	AUTO	Hospital Name
Station Name	0008,1010	SH		ANAPCV	CONFIG	
Manufacturer's Model Name	0008,1090	LO	DuraDiagnost	ANAPCV	AUTO	
Device Serial Number	0018,1000	LO		ANAPCV	AUTO	
Software Version(s)	0018,1020	LO	4.1.0	ANAPCV	AUTO	

Table 138: Enhanced General Equipment Module

Attribute Name	Tag	VR	Value	Presence of Value	Source	Comment
Manufacturer	0008,0070	LO	Philips	VNAP	AUTO	"Philips"
Manufacturer's Model Name	0008,1090	LO	DuraDiagnost	ANAPCV	AUTO	Philips Eleva
Device Serial Number	0018,1000	LO		ANAPCV	AUTO	
Software Version(s)	0018,1020	LO	4.1.0	ANAPCV	AUTO	

Table 139: SR Document General Module

Attribute Name	Tag	VR	Value	Presence of Value	Source	Comment
Content Date	0008,0023	DA		ALWAYS	AUTO	
Content Time	0008,0033	TM		ALWAYS	AUTO	
Instance Number	0020,0013	IS		ALWAYS	AUTO	
Referenced Request Sequence	0040,A370	SQ		VNAP	MWL	
>Accession Number	0008,0050	SH		VNAP	MWL	
>Referenced Study Sequence	0008,1110	SQ		VNAP	MWL	
>Study Instance UID	0020,000D	UI		ALWAYS	MWL	
>Requested Procedure Description	0032,1060	LO		VNAP		
>Requested Procedure Code Sequence	0032,1064	SQ		VNAP	MWL	
>Requested Procedure ID	0040,1001	SH		VNAP	MWL	
Placer Order Number / Imaging Service Request	0040,2016	LO		VNAP	MWL	
Filler Order Number / Imaging Service Request	0040,2017	LO		VNAP	MWL	
Performed Procedure Code Sequence	0040,A372	SQ		VNAP	AUTO	
Completion Flag	0040,A491	CS	COMPLETE	ALWAYS	FIXED	
Completion Flag Description	0040,A492	LO		ANAPCV	FIXED	"Complete X-Ray Radiation Dose Structure Report"
Verification Flag	0040,A493	CS	UNVERIFIED	ALWAYS		UNVERIFIED

Table 140: SR Document Content Module

Attribute Name	Tag	VR	Value	Presence of Value	Source	Comment
Value Type	0040,A040	CS	CONTAINER	ALWAYS	FIXED	
Concept Name Code Sequence	0040,A043	SQ		ANAP	AUTO	
>Code Value	0008,0100	SH	113701	ALWAYS	FIXED	
>Coding Scheme Designator	0008,0102	SH	DCM	ALWAYS	FIXED	
>Code Meaning	0008,0104	LO	X-ray radiation Dose Report	ALWAYS	FIXED	
Continuity Of Content	0040,A050	CS	SEPARATE	ALWAYS	FIXED	
Content Template Sequence	0040,A504	SQ		ALWAYS	FIXED	
>Mapping Resource	0008,0105	CS	DCMR	ALWAYS	FIXED	
>Template Identifier	0040,DB00	CS	TID 10001	ALWAYS	FIXED	

Table 141: SOP Common Module

Attribute Name	Tag	VR	Value	Presence of Value	Source	Comment
Instance Creation Date	0008,0012	DA		ANAPCV	AUTO	
Instance Creation Time	0008,0013	TM		ANAPCV	AUTO	
SOP Class UID	0008,0016	UI	1.2.840.10008.5.1.4.1.1.88.67	ALWAYS	FIXED	
SOP Instance UID	0008,0018	UI		ALWAYS	AUTO	
Instance Number	0020,0013	IS		ANAP		

8.1.1.7. X-RAY RADIATION DOSE SR IOD TEMPLATES

DuraDiagnost 4.1 can create and store, upon completion of the study, a DICOM X-Ray Radiation DOSE SR object. The templates that comprise the X-Ray Radiation Dose SR are interconnected as indicated in the figure below:

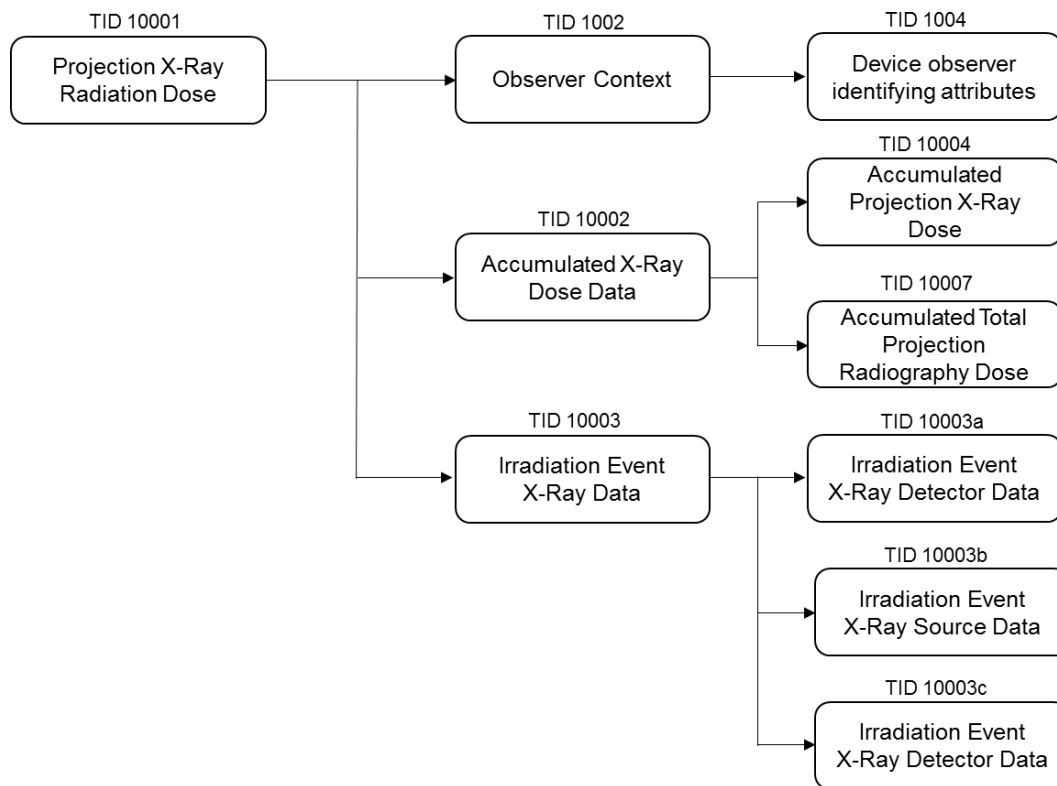


Figure 1 X-Ray Radiation Dose SR IOD Template Structure

This section describes the content of all the templates used in the X-Ray Radiation Dose Reporting SR.

Table 142: Used Templates for X-Ray Radiation Dose Reporting

Template Name	Template ID
Projection X-Ray Radiation Dose	TID 10001
Accumulated X-Ray Dose	TID 10002
Irradiation Event X-Ray Data	TID 10003
Irradiation Event X-Ray Detector Data	TID 10003a
Irradiation Event X-Ray Source Data	TID 10003b
Accumulated Projection X-Ray Dose	TID 10004
Observer Context	TID 1002
Device Observer Identifying Attributes	TID 1004

8.1.1.7.1. TID 10001 Projection X-Ray Radiation Dose

Table 143: Projection X-Ray Radiation Dose

NL	Relation with Parent	Concept Name	VT	VM	Presence of Value	Value
		EV (113701, DCM, "X-Ray Radiation Dose Report")	CONTAINER	1	ALWAYS	
>	HAS CONCEPT MOD	EV (121058, DCM, "Procedure reported")	CODE	1	ALWAYS	113704, DCM, "Projection X-Ray"
>>	HAS CONCEPT MOD	EV(G-C0E8, SRT, "Has Intent")	CODE	1	ALWAYS	R-408C3, SRT, "Diagnostic Intent"

>		DTID (1002) Observer Context	INCLUDE	1	ALWAYS	
>	HAS OBS CONTEXT	EV (113705, DCM, "Scope of Accumulation")	CODE	1	ALWAYS	(113016, DCM, "Performed Procedure Step")
>>	HAS PROPERTIES	DCID 10001 "UID Types"	UIDREF	1	ALWAYS	121126, DCM, Performed Procedure Step SOP Instance UID
>	CONTAINS	EV (113945, DCM, "X-Ray Detector Data Available")	CODE	1	ALWAYS	(R-0038D, SRT, "Yes")
>	CONTAINS	EV (113943, DCM, "X-Ray Source Data Available")	CODE	1	ALWAYS	(R-0038D, SRT, "Yes")
>	CONTAINS	EV (113944, DCM, "X-Ray Mechanical Data Available")	CODE	1	ALWAYS	(R-0038D, SRT, "Yes")
>	CONTAINS	DTID (10002) Accumulated X-Ray Dose	INCLUDE	1	ALWAYS	(113622, DCM, "Single Plane")
>	CONTAINS	DTID (10003) Irradiation Event X-Ray Data	INCLUDE	1-n	ALWAYS	
>	CONTAINS	EV (121106, DCM, "Comment")	TEXT	1	USER DEFINED	
>	CONTAINS	EV (113854, DCM, "Source of Dose Information")	CODE	1	ALWAYS	113856, DCM, "Automated Data Collection"

8.1.1.7.2. TID 10002 Accumulated X-Ray Dose

Table 144: Accumulated X-Ray Dose

NL	Relation with Parent	Concept Name	VT	VM	Presence of Value	Value
>	CONTAINS, CONTINUOUS	EV (113702, DCM, "Accumulated X-Ray Dose Data")	CONTAINER	1	ALWAYS	
>>	HAS CONCEPT MOD	EV (113764, DCM, "Acquisition Plane")	CODE	1	ALWAYS	113622, DCM, "Single Plane"
>>	CONTAINS	DTID (10004) Accumulated Projection X-Ray Dose	INCLUDE	1	ALWAYS	
>>	CONTAINS	DTID 10007 "Accumulated Total Projection Radiography Dose"	INCLUDE	1	CONDITIONAL	

8.1.1.7.3. TID 10003 Irradiation Event X-Ray Data

Table 145: Irradiation Event X-Ray Data

NL	Relation with Parent	Concept Name	VT	VM	Presence of Value	Value
>		EV (113706, DCM, "Irradiation Event X-Ray Data")	CONTAINER	1	ALWAYS	
>>	HAS CONCEPT MOD	EV (113764, DCM, "Acquisition Plane")	CODE	1	ALWAYS	113622, DCM, "Single Plane"
>>	CONTAINS	DT (111526, DCM, "DateTime Started")	DATETIME	1	ALWAYS	
>>	CONTAINS	EV (113721, DCM, "Irradiation Event Type")	CODE	1	ALWAYS	Stationary Acquisition
>>	CONTAINS	EV (125203, DCM, "Acquisition Protocol")	TEXT	1	CONDITIONAL	
>>	CONTAINS	EV (113780, DCM, "Reference Point Definition")	CODE	1	ALWAYS	
>>	CONTAINS	EV (113769, DCM, "Irradiation Event UID")	UIDREF	1	ALWAYS	
>>	CONTAINS	EV (122130, DCM, "Dose Area Product")	NUM	1	ALWAYS	Units = Gy.m2
>>	CONTAINS	EV (123014, DCM, "Target Region")	CODE	1	ALWAYS	Value from CID 4031 Common Anatomic Regions
>	CONTAINS	DTID 10003A "Irradiation Event X-Ray Detector Data"	INCLUDE	1	CONDITIONAL	
>	CONTAINS	DTID 10003B "Irradiation Event X-Ray Source Data"	INCLUDE	1	CONDITIONAL	
>	CONTAINS	DTID 10003C "Irradiation Event X-Ray Mechanical Data"	INCLUDE	1	CONDITIONAL	

8.1.1.7.4. TID 10003a Irradiation Event X-Ray Detector Data

Table 146: Irradiation Event X-Ray Detector Data

NL	Relation with Parent	Concept Name	VT	VM	Presence of Value	Value
		EV (113845, DCM, "Exposure Index")	NUM	1	CONDITIONAL	Units=no units
		EV (113846, DCM, "Target Exposure Index")	NUM	1	CONDITIONAL	
		EV (113847, DCM, "Deviation Index")	NUM			
		EV (113795, DCM, "Acquired Image")	IMAGE			

8.1.1.7.5. TID 10003b Irradiation Event X-Ray Source Data

Table 147: Irradiation Event X-Ray Source Data

NL	Relation with Parent	Concept Name	VT	VM	Presence of Value	Value
		EV (113738, DCM, "Dose (RP)")	NUM	1	CONDITIONAL	Units=Gy
		EV (113768, DCM, "Number of Pulses")	NUM	1	CONDITIONAL	(1, UCUM, "no units")
		EV (113742, DCM, "Irradiation Duration")	NUM	1	USER DEFINED	(s, UCUM, "s")
		EV (113733, DCM, "KVP")	NUM	1-n	ALWAYS	(kV, UCUM, "kV")
		EV (113734, DCM, "X-Ray Tube Current")	NUM	1	CONDITIONAL	(mA, UCUM, "mA")
		EV (113736, DCM, "Exposure")	NUM	1-n	CONDITIONAL	Units= uAs
		EV (111632, DCM, "Anode Target Material")	CODE	1	USER DEFINED	

Note: EV (113780, reference point definition) is not present.

8.1.1.7.6. TID 10004 Accumulated Projection X-Ray Dose

Table 148: Accumulated Projection X-Ray Dose

NL	Relation with Parent	Concept Name	VT	VM	Presence of Value	Value
>>	CONTAINS	EV (113727, DCM, "Acquisition Dose Area Product Total")	NUM	1	ALWAYS	Units = Gy.m2
>>	CONTAINS	EV (113729, DCM, "Acquisition Dose (RP) Total")	NUM	1	ALWAYS	Units = Gy
>>	CONTAINS	EV (113855, DCM, "Total Acquisition Time")	NUM	1	ALWAYS	Units = seconds

8.1.1.7.7. TID 10007 Accumulated Total Projection Radiography Dose

Table 149: Accumulated Total Projection Radiography Dose

NL	Relation with Parent	Concept Name	VT	VM	Presence of Value	Value
		EV (113722, DCM, "Dose Area Product Total")	NUM	1	ALWAYS	Units = Gy.m2
		EV (113725, DCM, "Dose (RP) Total")	NUM	1	CONDITIONAL	Units = Gy
		EV (113731, DCM, "Total Number of Radiographic Frames")	NUM	1	ALWAYS	No units
		EV (113780, DCM, "Reference Point Definition")	TEXT	1	ALWAYS	
		EV (113780, DCM, "Reference Point Definition")	TEXT	1	ALWAYS	30cm above Tabletop and 30cm in Front of Image Input Surface

8.1.1.7.8. TID 1002 Observer Context

Table 150: Observer Context

NL	Relation with Parent	Concept Name	VT	VM	Presence of Value	Value
>	HAS OBS CONTEXT	EV (121005, DCM, "Observer Type")	CODE	1	CONDITIONAL	121007, DCM, "Device"
	HAS OBS CONTEXT	DTID (1004) Device observer identifying attributes	INCLUDE	1	ALWAYS	

8.1.1.7.9. TID 1004 Device Observer Identifying Attributes

Table 151: Device Observer Identifying Attributes

NL	Relation with Parent	Concept Name	VT	VM	Presence of Value	Value
>	HAS OBS CONTEXT	EV (121012, DCM, "Device Observer UID")	UIDREF	1	ALWAYS	
>	HAS OBS CONTEXT	EV (121013, DCM, "Device Observer Name")	TEXT	1	ALWAYS	Station Name (0008,1010)
>	HAS OBS CONTEXT	EV (121014, DCM, "Device Observer Manufacturer")	TEXT	1	ALWAYS	Manufacturer (0008,0070): Philips
>	HAS OBS CONTEXT	EV (121015, DCM, "Device Observer Model Name")	TEXT	1	ALWAYS	Manufacturer's Model Name (0008,1090): DigitalDiagnost C50
>	HAS OBS CONTEXT	EV (121016, DCM, "Device Observer Serial Number")	TEXT	1	ALWAYS	Device Serial Number (0018,1000)

8.1.2. Usage of Attributes from Received IOD

The DuraDiagnost 4.1 has only an export side. The modality cannot read/view images from a CD or by import.

8.1.3. Attribute Mapping

In this section the mapping between the Modality Worklist, Storage and Modality Performed Procedure Step is specified.

Table 152: Attribute mapping during Modality Workflow

Name	WLM tag	MPPS Create tag	MPPS Set tag	Image IOD tag
Accession Number	0008,0050	0008,0050	-	0008,0050
Modality	-	0008,0060	-	0008,0060
Referring Physician's Name	0008,0090	-	-	0008,0090
Operators' Name	-	-	0008,1070	0008,1070
Referenced Study Sequence	0008,1110	0008,1110	-	0008,1110
Referenced Image Sequence	-	-	(0008,1140)	-
> Referenced SOP Class UID	-	-	0008,1150	0008,0016
SOP Instance UID				
> Referenced SOP Instance UID	-	-	0008,1155	0008,0018
SOP Instance UID				
Patient's Name	0010,0010	0010,0010	-	0010,0010
Patient ID	0010,0020	0010,0020	-	0010,0020
Issuer of Patient ID	0010,0021	0010,0021	-	0010,0021

Name	WLM tag	MPPS Create tag	MPPS Set tag	Image IOD tag
Patient's Birth Date	0010,0030	0010,0030	-	0010,0030
Patient's Sex	0010,0040	0010,0040	-	0010,0040
Other Patient IDs	0010,1000	0010,1000	-	0010,1000
Medical Alerts	0010,2000	-	-	0010,2000
Allergies	0010,2110	-	-	0010,2110
Ethnic group	0010,2160	-	-	0010,2160
Additional Patient History	0010,21B0	-	-	0010,21B0
Pregnancy Status	0010,21C0	-	-	0010,21C0
Patient Comments	0010,4000	-	-	0010,4000
Protocol Name	-	-	0018,1030	0018,1030
Study Instance UID	0020,000D	0020,000D	-	0020,000D
Series Instance UID	-	-	0020,000E	0020,000E
Study ID	-	0020,0010	-	0020,0010
Requesting Service	0032,1033	-	-	0032,1033
Requested Procedure Description	0032,1060	0032,1060	-	-
Requested Procedure Code Sequence ³	0032,1064	0008,1032	0008,1032	0008,1032
Performed Procedure Code Sequence				
Special Needs	0038,0050	-	-	0038,0050
Patient State	0038,0500	-	-	0038,0500
Scheduled Procedure Step Description ⁴	0040,0007	0040,0007	-	0040,0007
Performed Procedure Step Description		0040,0254	-	0040,0254
Scheduled Protocol Code Sequence ⁴	0040,0008	0040,0260	0040,0260	0040,0008
Performed Protocol Code Sequence				0040,0260
Scheduled Procedure Step ID	0040,0009	0040,0009	-	040,0009
Performed Procedure Step Start Date	-	0040,0244	-	0040,0244
Performed Procedure Step Start Time	-	0040,0245	-	0040,0245
Performed Procedure Step ID	-	0040,0253	-	0040,0253
Requested Procedure ID	0040,1001	0040,1001	-	0040,1001

Note 1: Value accumulated from all performed acquisitions including dropped (repeated) acquisitions.

Note 2: Image related specific value.

Note 3: If procedure is performed as requested.

Note 4: If protocol is performed as scheduled.

8.1.4. Coerced/Modified fields

Not Supported.

8.2. Data Dictionary of Private Attributes

Not Supported.

8.3. Coded Terminology and Templates

Not Supported.

8.3.1. Context Groups

Not Supported.

8.3.2. Template Specifications

Not Supported.

8.3.3. Private code definitions

Not Supported.

8.4. Grayscale Image consistency

The monitor of DuraDiagnost 4.1 system can be calibrated according Grayscale Display Function Standard.

The pixel values exported and printed should be interpreted as P-Value. If the export destination or the printer does not support GSDF, DuraDiagnost 4.1 provides calibration tools to adapt to this device to afford grayscale image consistency. The calibration takes into account ambient luminance and light box luminance.

8.5. Standard Extended/Specialized/Private SOPs

The Storage SOP classes are extended to create a standard extended SOP class by addition of standard and private attributes to the created SOP Instances.

Table 153: List of created SOP Classes

SOP Class Name	SOP Class UID
Computed Radiography Image Storage SOP Class	1.2.840.10008.5.1.4.1.1.1
Digital X-Ray Image Storage - For Pres. SOP	1.2.840.10008.5.1.4.1.1.1.1
Digital X-Ray Image Storage - For Proc. SOP	1.2.840.10008.5.1.4.1.1.1.1.1
Secondary Capture Image Storage SOP Class	1.2.840.10008.5.1.4.1.1.7
X-Ray Radiation Dose SR	1.2.840.10008.5.1.4.1.1.88.67

8.5.1. Standard Extended/Specialized/Private SOP Instance

8.5.1.1. Computed Radiography Image Storage SOP Class

Table 154: Extended DICOM and private attributes for Computed Radiography Image Storage SOP Class Instances

Attribute Name	Tag	VR	Value	Presence of Value	Source	Comment
Medical Alerts	0010,2000	LO		VNAP	MWL, USER	
Allergies	0010,2110	LO		VNAP	MWL, USER	
Pregnancy Status	0010,21C0	US		VNAP	MWL, USER	
Image and Fluoroscopy Area Dose Product	0018,115E	DS		ANAP	AUTO	
Grid	0018,1166	CS		ANAPCV	AUTO	
Filter Material	0018,7050	CS		ANAP	AUTO	
Requesting Physician	0032,1032	PN		VNAP	MWL, USER	
Requesting Service	0032,1033	LO		VNAP	MWL, USER	
Requested Procedure Description	0032,1060	LO		VNAP	MWL, USER	
Requested Procedure Code Sequence	0032,1064	SQ		VNAP	MWL	
Special Needs	0038,0050	LO		ANAPCV	MWL, USER	
Patient State	0038,0500	LO		ANAPCV	MWL, USER	

Performed Station AE Title	0040,0241	AE		VNAP	AUTO, MPPS	
Performed Procedure Step End Date	0040,0250	DA		VNAP	AUTO, MPPS	
Performed Procedure Step End Time	0040,0251	TM		VNAP	AUTO, MPPS	
Performed Procedure Step Status	0040,0252	CS		VNAP	AUTO, MPPS	
Total Number of Exposures	0040,0301	US		VNAP	AUTO	
Exposure Dose Sequence	0040,030E	SQ		VNAP	AUTO	
Film Consumption Sequence	0040,0321	SQ		VNAP	AUTO	
Requested Procedure ID	0040,1001	SH		VNAP	MWL, USER	
Reason for the Requested Procedure	0040,1002	LO		VNAP	MWL, USER	
Requested Procedure Priority	0040,1003	SH		VNAP	MWL, USER	
Patient Transport Arrangements	0040,1004	LO		VNAP	MWL, USER	
Names of Intended Recipients of Results	0040,1010	PN		VNAP	MWL, USER	
Requested Procedure Comments	0040,1400	LT		VNAP	MWL, USER	
Reason for the Imaging Service Request (retired)	0040,2001	LO		VNAP	MWL	
Issue Date of Imaging Service Request	0040,2004	DA		VNAP	MWL, USER	
Imaging Service Request Comments	0040,2400	LT		VNAP	MWL, USER	

8.5.1.2. Digital X-Ray Image Storage - For Pres. SOP

Table 155: Extended DICOM and private attributes for Digital X-Ray Image Storage - For Pres. SOP Instances

Attribute Name	Tag	VR	Value	Presence of Value	Source	Comment
Medical Alerts	0010,2000	LO		VNAP	MWL, USER	
Allergies	0010,2110	LO		VNAP	MWL, USER	
Pregnancy Status	0010,21C0	US		VNAP	MWL, USER	
Filter Material	0018,7050	CS		ANAP	AUTO	
Exposure Control Mode	0018,7060	CS		ANAP	AUTO	
Requesting Physician	0032,1032	PN		VNAP	MWL, USER	
Requesting Service	0032,1033	LO		VNAP	MWL, USER	
Requested Procedure Description	0032,1060	LO		VNAP	MWL, USER	
Special Needs	0038,0050	LO		ANAPCV	MWL, USER	
Patient State	0038,0500	LO		ANAPCV	MWL, USER	
Performed Station AE Title	0040,0241	AE		VNAP	AUTO, MPPS	

Performed Procedure Step End Date	0040,0250	DA		VNAP	AUTO, MPPS	
Performed Procedure Step End Time	0040,0251	TM		VNAP	AUTO, MPPS	
Performed Procedure Step Status	0040,0252	CS		VNAP	AUTO, MPPS	
Total Number of Exposures	0040,0301	US		VNAP	AUTO	
Exposure Dose Sequence	0040,030E	SQ		VNAP	AUTO	
Film Consumption Sequence	0040,0321	SQ		VNAP	AUTO	
Requested Procedure ID	0040,1001	SH		VNAP	AUTO, MWL	
Requested Procedure Priority	0040,1003	SH		VNAP	MWL	
Patient Transport Arrangements	0040,1004	LO		VNAP	MWL, USER	
Names of Intended Recipients of Results	0040,1010	PN		VNAP	AUTO	
Requested Procedure Comments	0040,1400	LT		VNAP	MWL	
Reason for the Imaging Service Request (retired)	0040,2001	LO		VNAP	MWL	
Imaging Service Request Comments	0040,2400	LT		VNAP	MWL, USER	

8.5.1.3. Digital X-Ray Image Storage - For Proc. SOP

Table 156: Extended DICOM and private attributes for Digital X-Ray Image Storage - For Proc. SOP Instances

Attribute Name	Tag	VR	Value	Presence of Value	Source	Comment
Medical Alerts	0010,2000	LO		VNAP	MWL, USER	
Allergies	0010,2110	LO		VNAP	MWL, USER	
Pregnancy Status	0010,21C0	US		VNAP	MWL, USER	
Filter Material	0018,7050	CS		ANAP	AUTO	
Exposure Control Mode	0018,7060	CS		ANAP	AUTO	
Requesting Physician	0032,1032	PN		VNAP	MWL, USER	
Requesting Service	0032,1033	LO		VNAP	MWL, USER	
Requested Procedure Description	0032,1060	LO		VNAP	MWL, USER	
Requested Procedure Code Sequence	0032,1064	SQ		VNAP	MWL	
Special Needs	0038,0050	LO		ANAPCV	MWL, USER	
Patient State	0038,0500	LO		ANAPCV	MWL, USER	
Performed Station AE Title	0040,0241	AE		VNAP	AUTO, MPPS	
Performed Procedure Step End Date	0040,0250	DA		VNAP	AUTO, MPPS	
Performed Procedure Step End Time	0040,0251	TM		VNAP	AUTO, MPPS	
Performed Procedure Step Status	0040,0252	CS		VNAP	AUTO, MPPS	

Total Number of Exposures	0040,0301	US		VNAP	AUTO	
Exposure Dose Sequence	0040,030E	SQ		VNAP	AUTO	
Film Consumption Sequence	0040,0321	SQ		VNAP	AUTO	
Requested Procedure ID	0040,1001	SH		ALWAYS	AUTO, MWL	
Reason for the Requested Procedure	0040,1002	LO		VNAP	MWL	
Requested Procedure Priority	0040,1003	SH		VNAP	MWL	
Patient Transport Arrangements	0040,1004	LO		VNAP	MWL, USER	
Names of Intended Recipients of Results	0040,1010	PN		VNAP	AUTO	
Requested Procedure Comments	0040,1400	LT		ANAPCV	MWL	
Reason for the Imaging Service Request (retired)	0040,2001	LO		VNAP	MWL	
Imaging Service Request Comments	0040,2400	LT		VNAP	MWL, USER	

8.5.1.4. Secondary Capture Image Storage SOP Class

Table 157: Extended DICOM and private attributes for Secondary Capture Image Storage SOP Class Instances

Attribute Name	Tag	VR	Value	Presence of Value	Source	Comment
Medical Alerts	0010,2000	LO		VNAP	MWL, USER	
Allergies	0010,2110	LO		VNAP	MWL, USER	
Pregnancy Status	0010,21C0	US		VNAP	MWL, USER	
KVP	0018,0060	DS		ANAP	AUTO	
Distance Source to Detector	0018,1110	DS		ANAP	AUTO	
Distance Source to Patient	0018,1111	DS		ANAP	AUTO	
Exposure Time	0018,1150	IS		ANAP	AUTO	
Exposure	0018,1152	IS		ANAP	AUTO	
Exposure in μ As	0018,1153	IS		ANAP	AUTO	
Radiation Setting	0018,1155	CS		ANAP	AUTO	
Image and Fluoroscopy Area Dose Product	0018,115E	DS		VNAP	AUTO	
Imager Pixel Spacing	0018,1164	DS		VNAP	AUTO	
Grid	0018,1166	CS		ANAPCV	AUTO	
Acquisition Device Processing Description	0018,1400	LO		VNAP	AUTO	
Relative X-ray Exposure	0018,1405	IS		VNAP	AUTO	
View Position	0018,5101	CS		VNAP	AUTO	
Filter Material	0018,7050	CS		ANAP	AUTO	
Requesting Physician	0032,1032	PN		VNAP	MWL, USER	
Requesting Service	0032,1033	LO		VNAP	MWL, USER	
Requested Procedure Description	0032,1060	LO		VNAP	MWL, USER	
Requested Procedure Code Sequence	0032,1064	SQ		VNAP	MWL	

Special Needs	0038,0050	LO		ANAPCV	MWL, USER	
Patient State	0038,0500	LO		ANAPCV	MWL, USER	
Performed Station AE Title	0040,0241	AE		VNAP	AUTO, MPPS	
Performed Procedure Step End Date	0040,0250	DA		VNAP	AUTO, MPPS	
Performed Procedure Step End Time	0040,0251	TM		VNAP	AUTO, MPPS	
Performed Procedure Step Status	0040,0252	CS		VNAP	AUTO, MPPS	
Total Number of Exposures	0040,0301	US		VNAP	AUTO	
Entrance Dose	0040,0302	US		VNAP	AUTO	
Exposure Dose Sequence	0040,030E	SQ		VNAP	AUTO	
Film Consumption Sequence	0040,0321	SQ		VNAP	AUTO	
Requested Procedure ID	0040,1001	SH		VNAP	MWL, USER	
Reason for the Requested Procedure	0040,1002	LO		VNAP	MWL, USER	
Requested Procedure Priority	0040,1003	SH		VNAP	MWL, USER	
Patient Transport Arrangements	0040,1004	LO		VNAP	MWL, USER	
Names of Intended Recipients of Results	0040,1010	PN		VNAP	AUTO	
Requested Procedure Comments	0040,1400	LT		VNAP	MWL	
Reason for the Imaging Service Request (retired)	0040,2001	LO		VNAP	MWL	
Issue Date of Imaging Service Request	0040,2004	DA		VNAP	MWL, USER	
Imaging Service Request Comments	0040,2400	LT		VNAP	MWL, USER	

8.6. Private Transfer Syntaxes

Not Supported.