

# PHILIPS



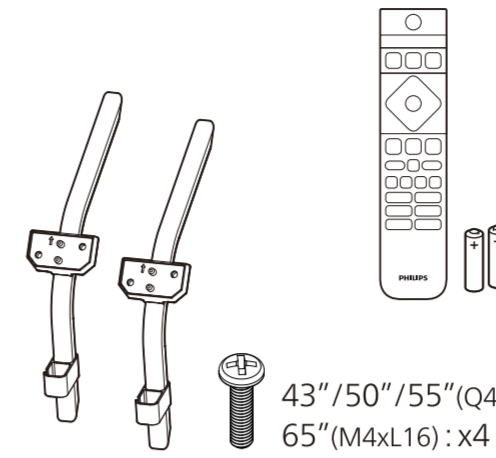
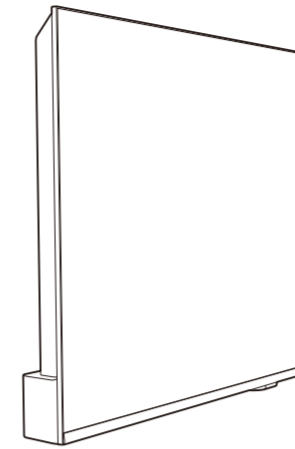
## AMBILIGHT tv

Quick Start Guide

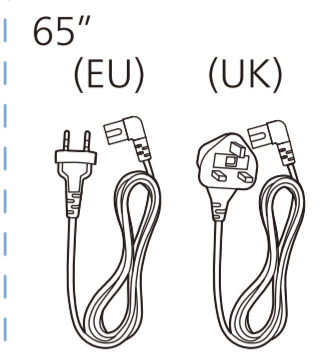
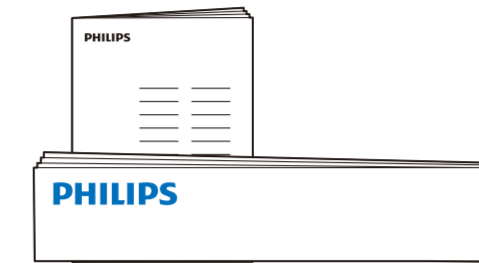
8000/8010 Series



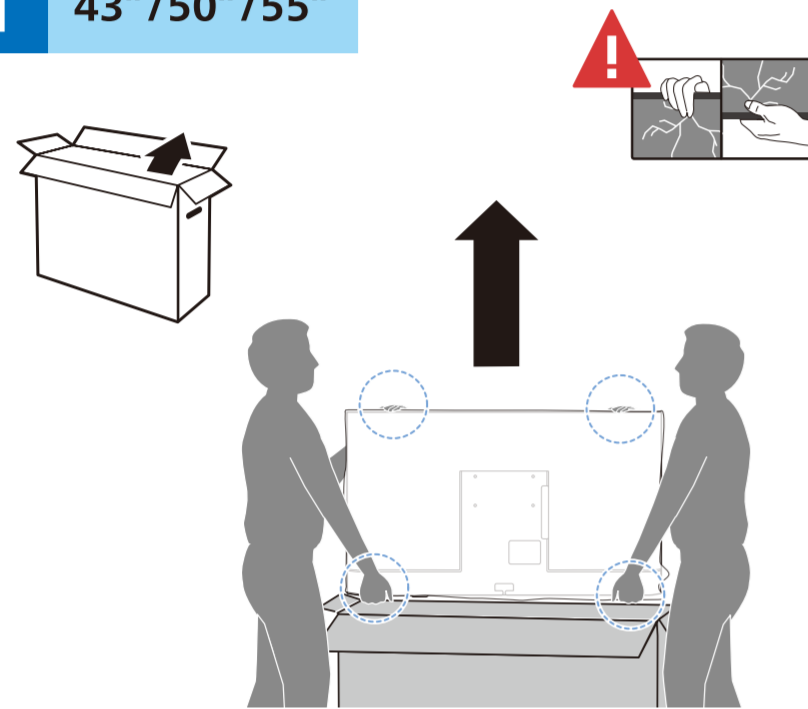
Tool needed for assembly



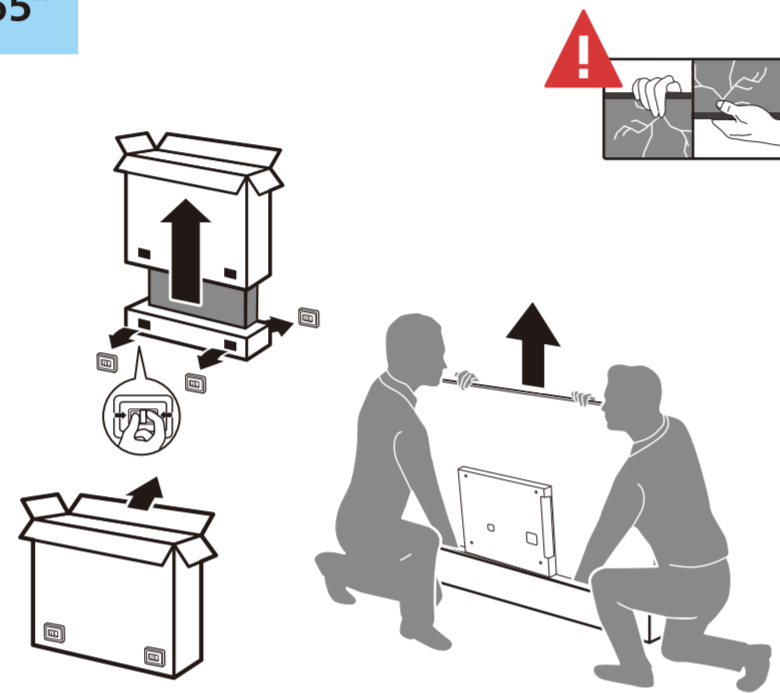
43"/50"/55" (Q4xL18) : x4  
65" (M4xL16) : x4



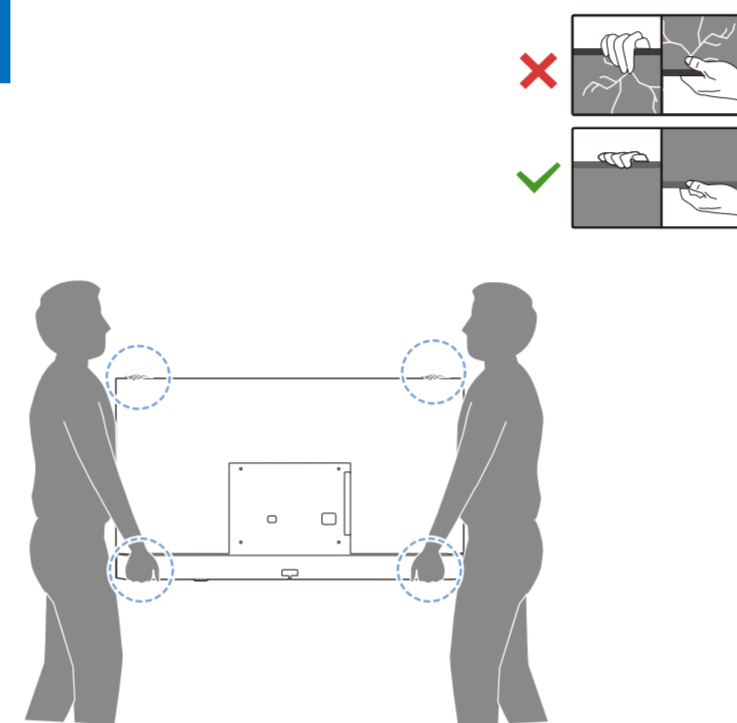
### 1 43"/50"/55"



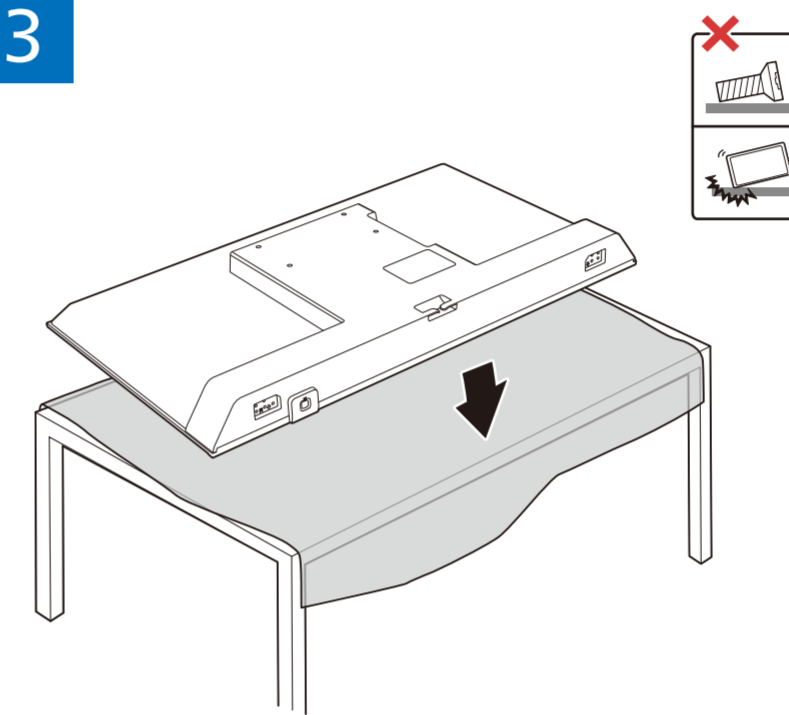
### 65"



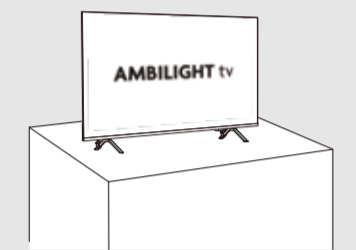
### 2



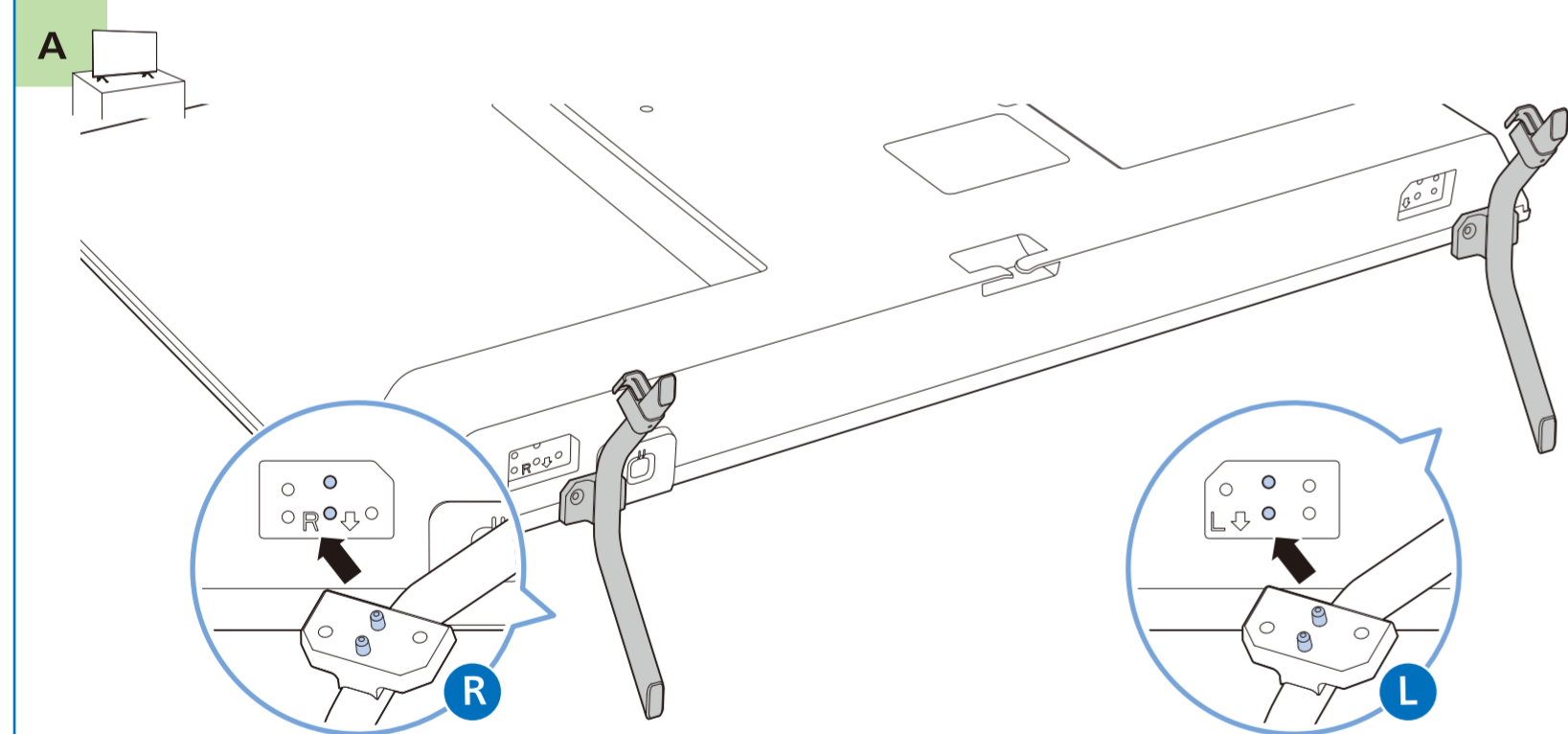
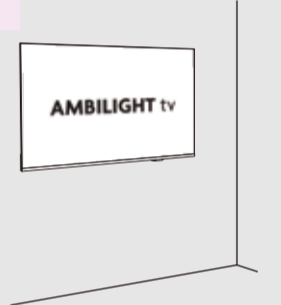
### 3



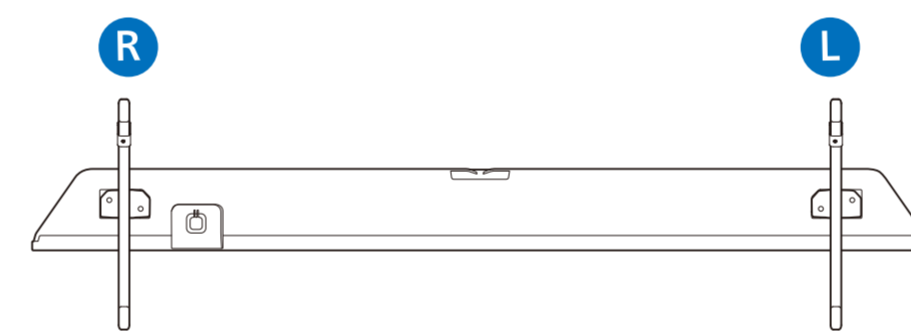
### A Desk Placement



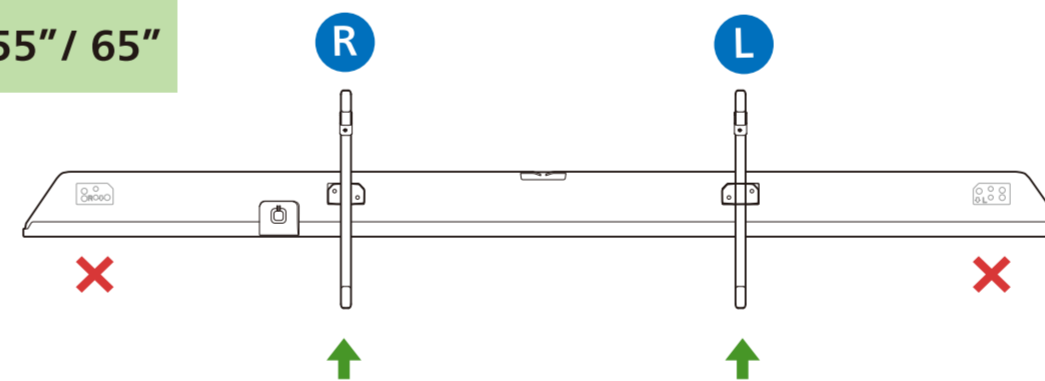
### B Wall Placement



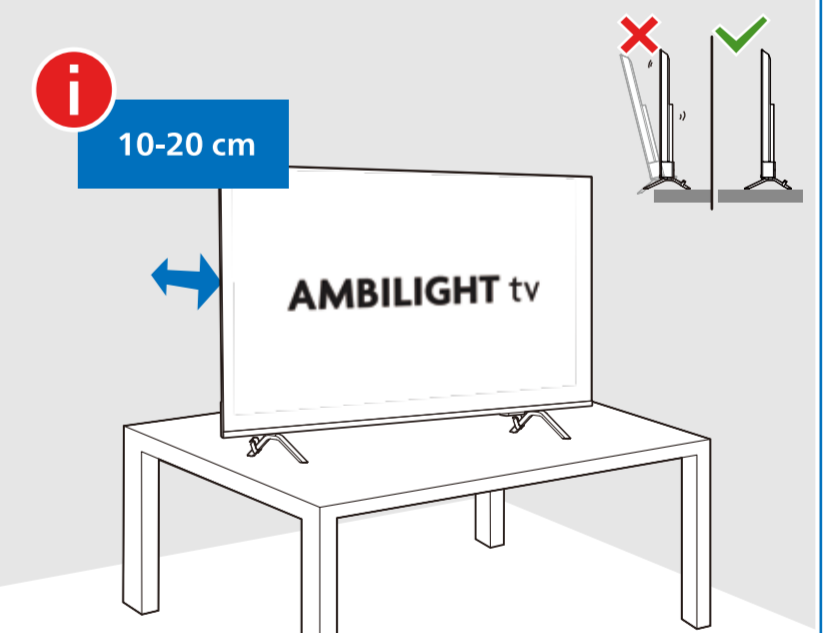
### 43"



### 50"/55"/65"

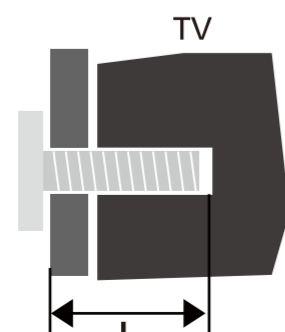
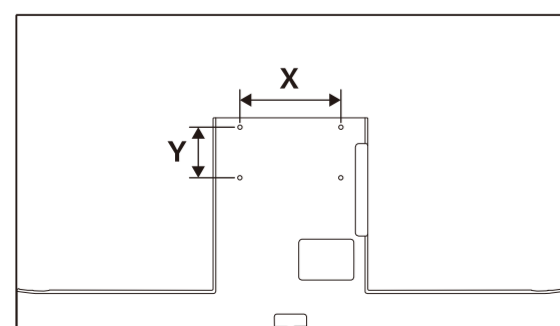


### Recommended Wall Distance

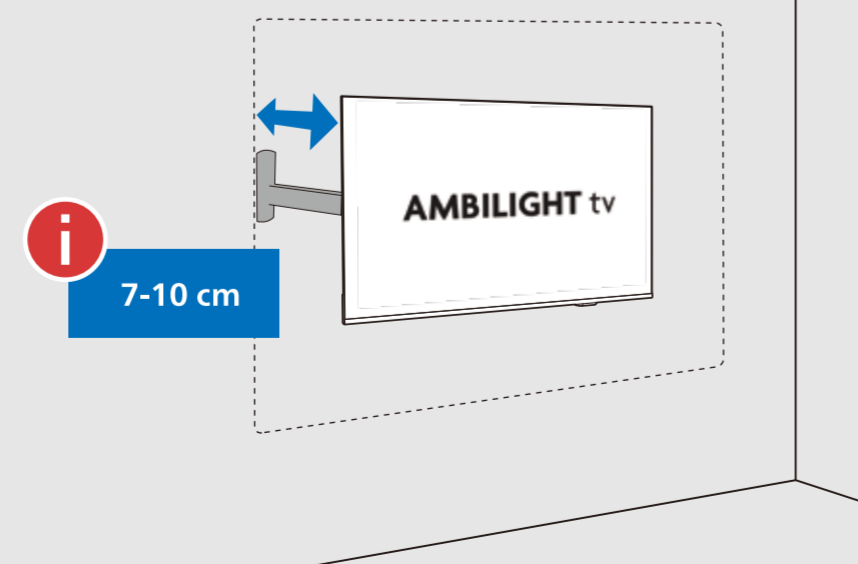


### B

Diagonal (inch/cm)	X (mm)	Y (mm)	Screw Size	Screw Length (mm)
43" / 108	200	100	M6	TOP: 8-25 DOWN: 8-10
50" / 126	200	100	M6	TOP: 8-25 DOWN: 8-10
55" / 139	200	100	M6	TOP: 8-25 DOWN: 8-10
65" / 164	400	300	M8	20-35



### Recommended Wall Distance



### 4

### Get Connected



[www.philips.to/smartTV](http://www.philips.to/smartTV)

The Philips Smart TV app lets you switch channels and adjust the volume - just like a remote control.

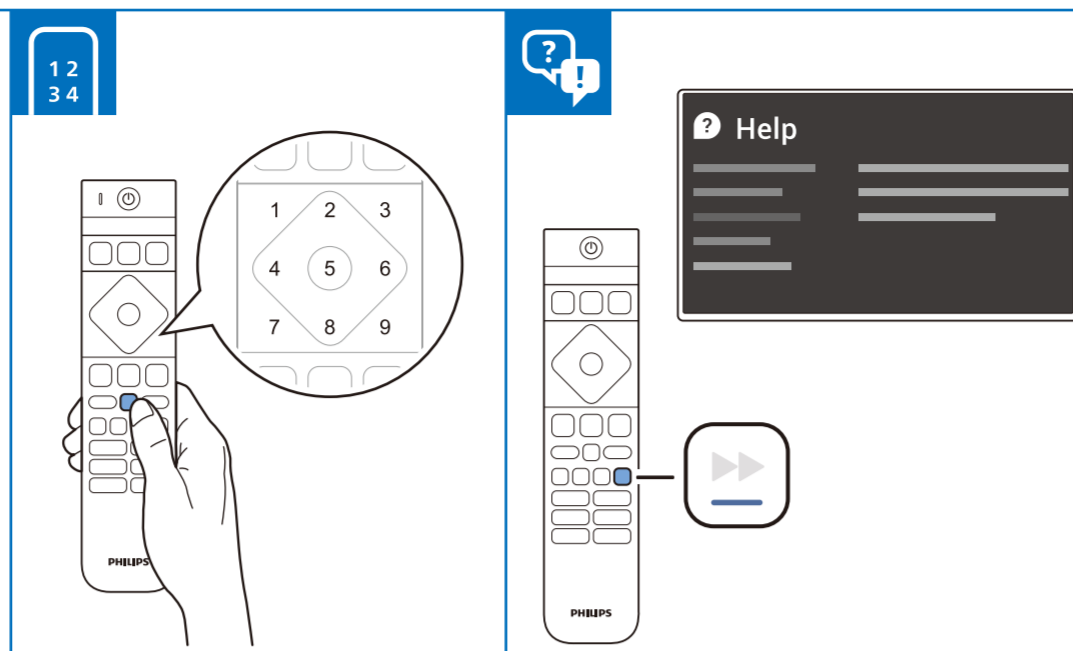
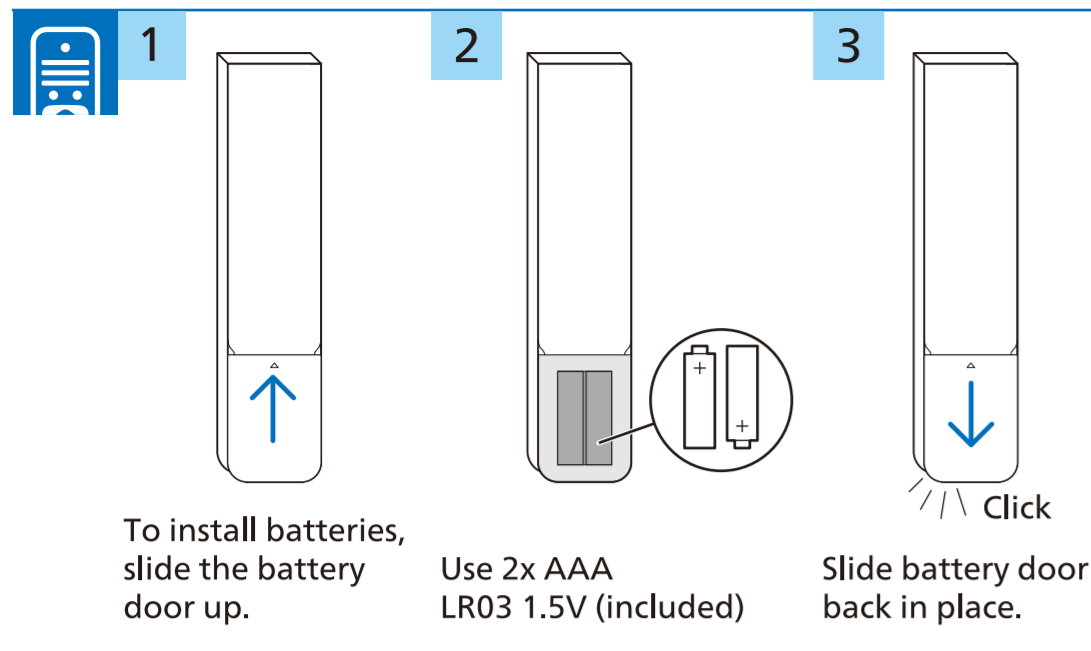
### 5

### Register and Support

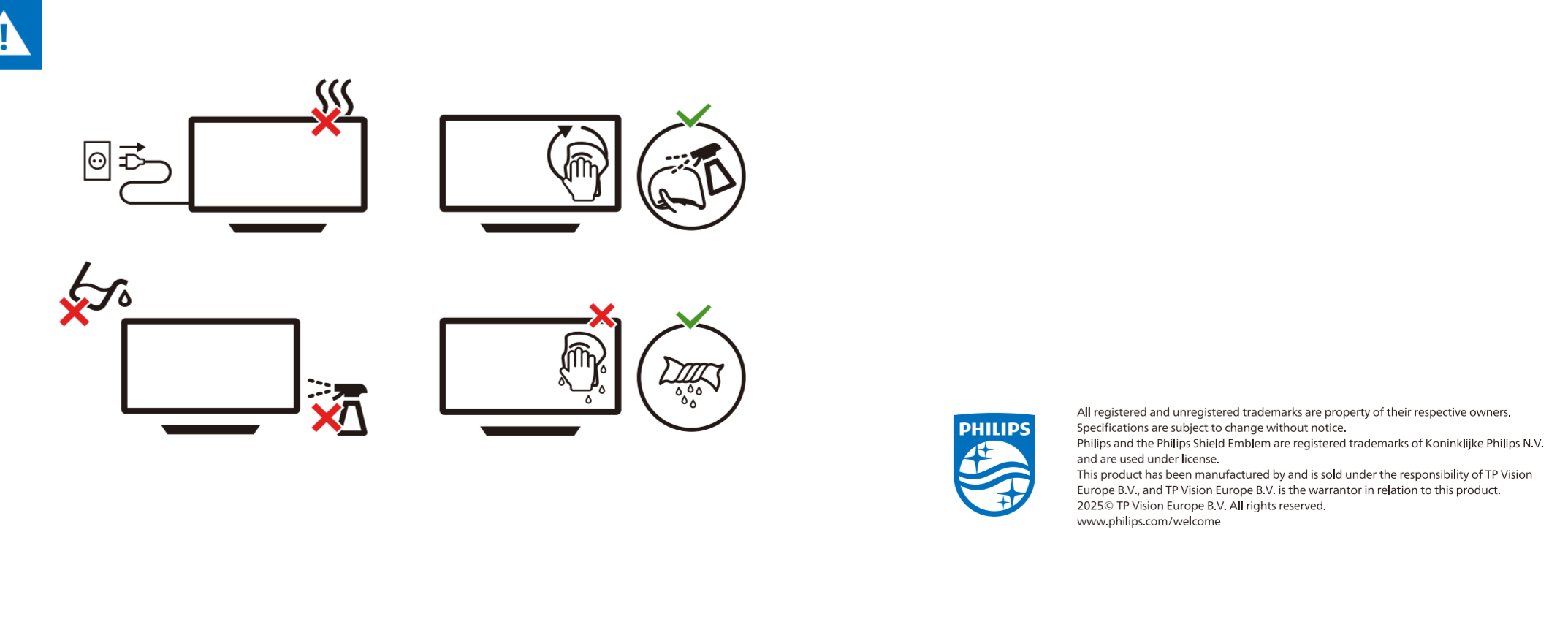
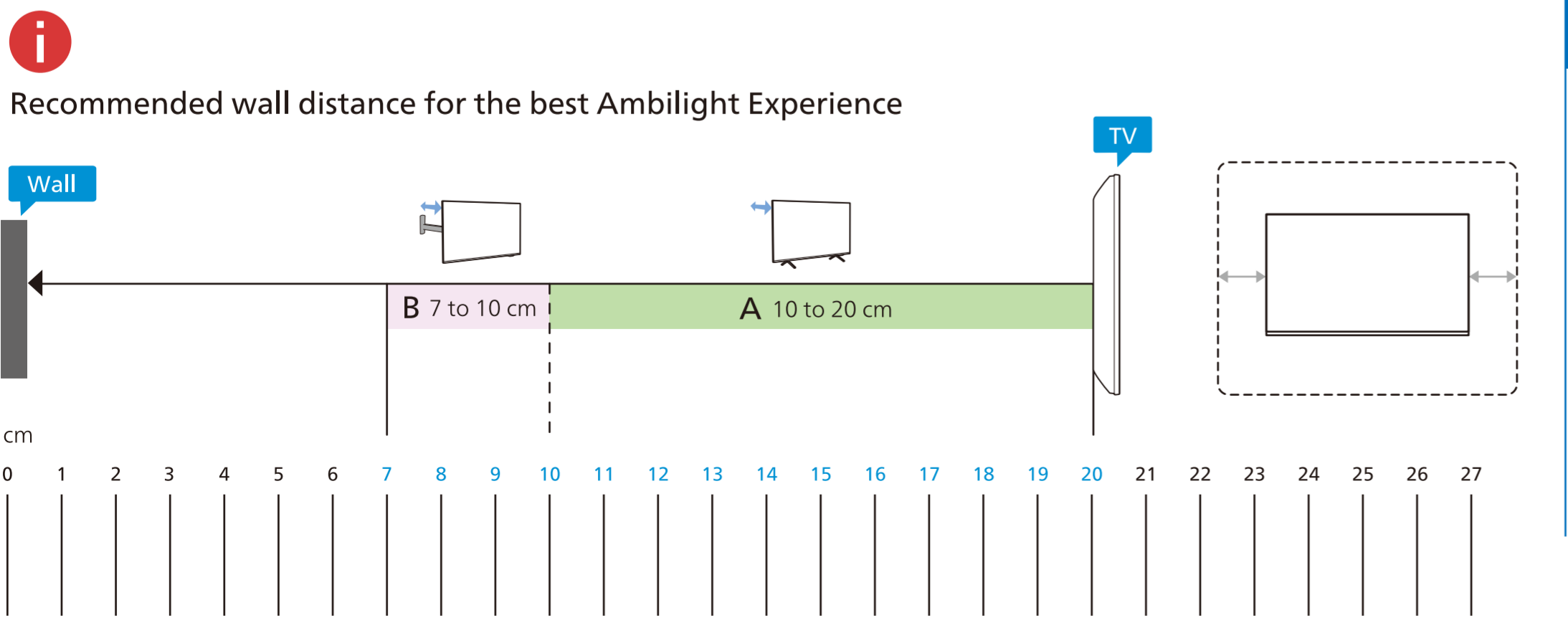
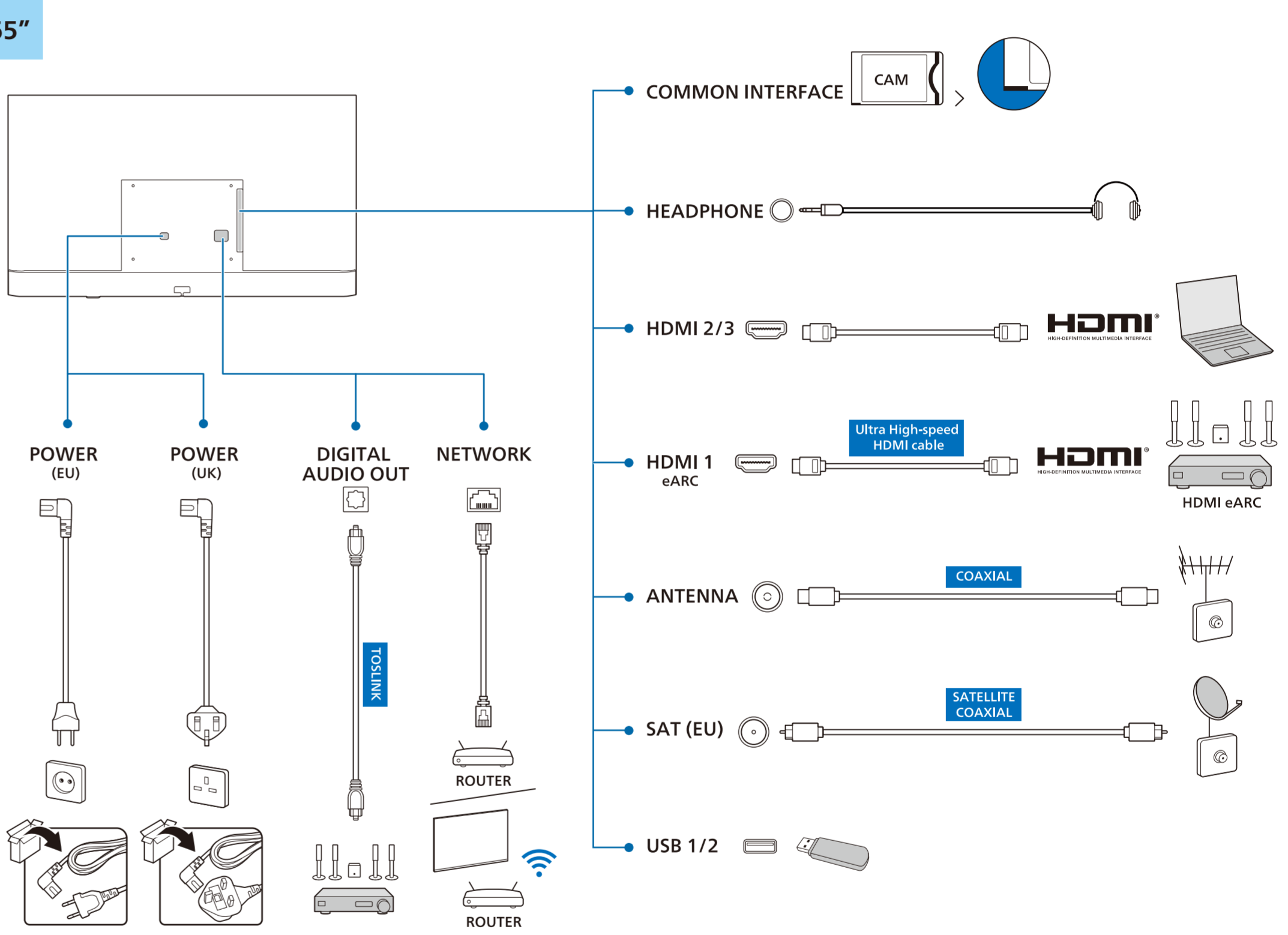
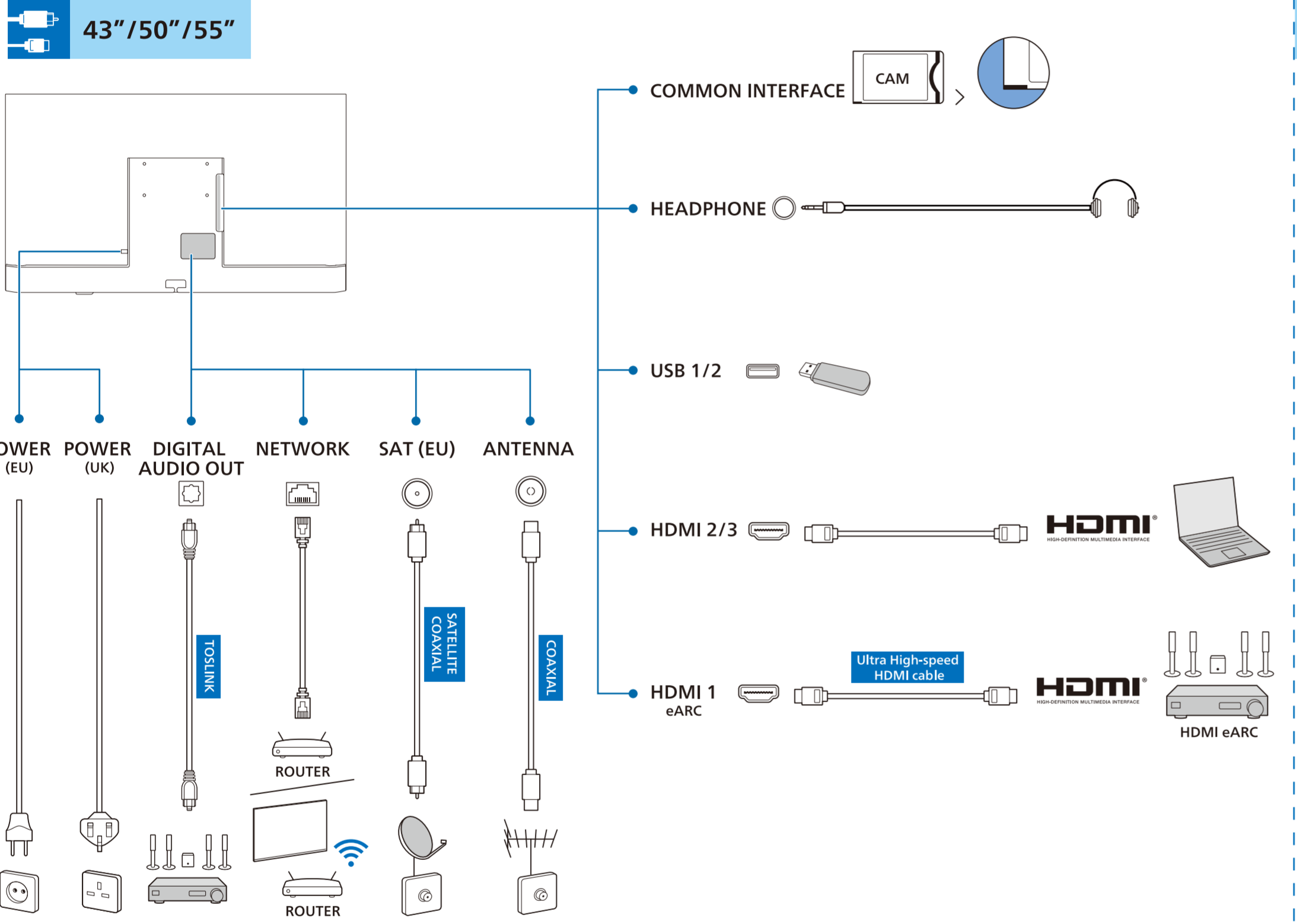


[www.philips.com/TVsupport](http://www.philips.com/TVsupport)

Register your TV, find out more, download the user manual and get support



<b>English</b>	Read the safety instructions.	<b>Français</b>	Lisez les consignes de sécurité.	<b>Português</b>	Leia as instruções de segurança.	<b>Türkçe</b>	Güvenlik talimatlarını okuyun.
<b>Български</b>	Прочетете инструкциите за безопасност.	<b>Italiano</b>	Leggere le istruzioni di sicurezza.	<b>Română</b>	Citiți instrucțiunile de siguranță.	<b>Українська</b>	Читайте інструкції з техніки безпеки.
<b>Čeština</b>	Přečtěte si bezpečnostní pokyny.	<b>Қазақша</b>	Қорғаныстық нұсқаулар.	<b>Русский</b>	Читайте инструкции по технике безопасности.	<b>العربية</b>	قراءة تعليمات السلامة.
<b>Hrvatski</b>	Pročitajte sigurnosne upute.	<b>Latviešu</b>	Izlasiet drošības norādījumus.	<b>Srpski</b>	Pročitajte bezbednosna uputstva.	<b>עברית</b>	קראו את הוראות הבטיחות.
<b>Dansk</b>	Læs sikkerhedsforskrifterne.	<b>Lietuvių</b>	Perskaitykite saugos instrukcijas.	<b>Slovenščina</b>	Preberite varnostna navodila.		
<b>Deutsch</b>	Lesen Sie die Sicherheitshinweise.	<b>Magyar</b>	Olvassa el a biztonságási utasításokat.	<b>Slovenský</b>	Prečítajte si bezpečnostné pokyny.		
<b>Ελληνικά</b>	Διαβάστε τις οδηγίες ασφαλείας.	<b>Nederlands</b>	Lees de veiligheidsvoorschriften.	<b>Suomi</b>	Lue turvaohjeet.		
<b>Eesti</b>	Lugege ohutusnõudeid.	<b>Norsk</b>	Les sikkerhetsforskriftene.	<b>Svenska</b>	Läs säkerhetsinstruktionerna.		
<b>Español</b>	Lea las instrucciones de seguridad.	<b>Polski</b>	Zapoznaj się z instrukcjami bezpieczeństwa.	<b>ภาษาไทย</b>	โปรดอ่านคำแนะนําด้านความปลอดภัย.		



PHILIPS

All registered and unregistered trademarks are property of their respective owners. Specifications are subject to change without notice. Philips and the Philips Shield Emblem are registered trademarks of Koninklijke Philips N.V. and are used under license. This product has been manufactured by and is sold under the responsibility of TP Vision Europe B.V., and TP Vision Europe B.V. is the warrantor in relation to this product. 2025 © TP Vision Europe B.V. All rights reserved. www.philips.com/welcome