

PHILIPS

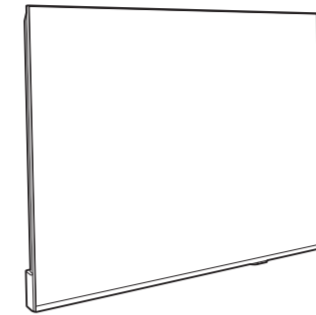
AMBILIGHT tv

Quick Start Guide

8500/8510/8550/8560 Series



Tool needed for assembly



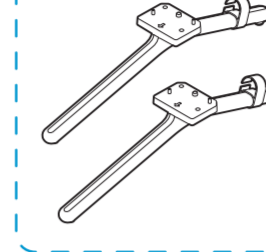
43"/50"/55"/65"



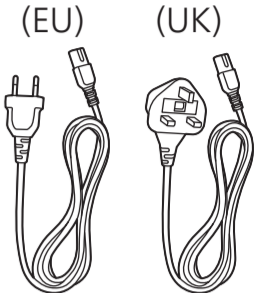
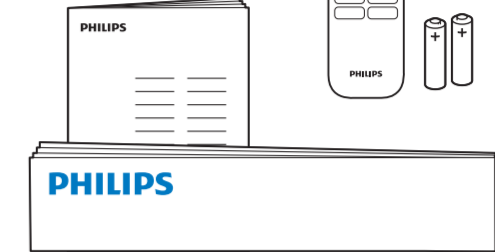
75"



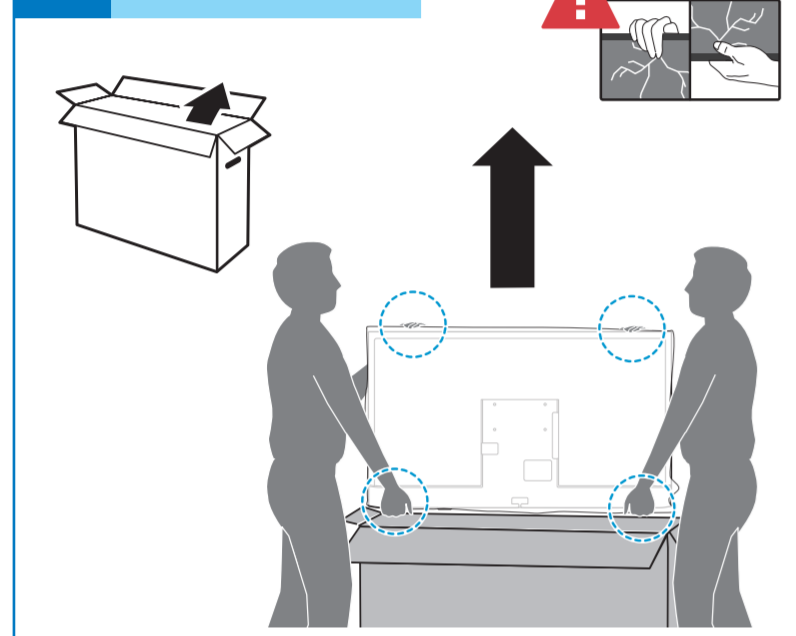
85"



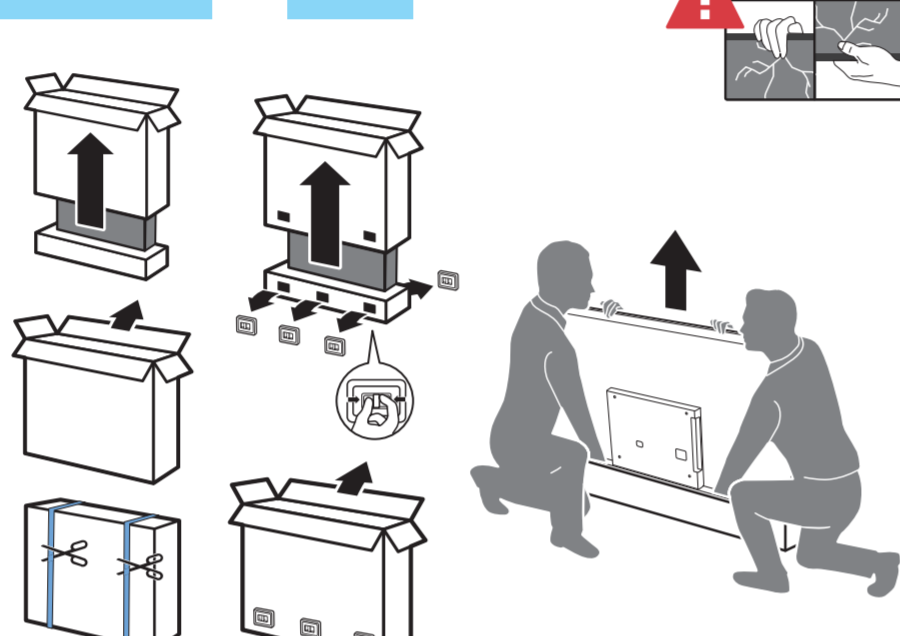
43" (Q4xL16) : x4
50"/55" (Q4xL18) : x4
65" (M4xL20) : x4
75"/85" (M5xL20) : x4



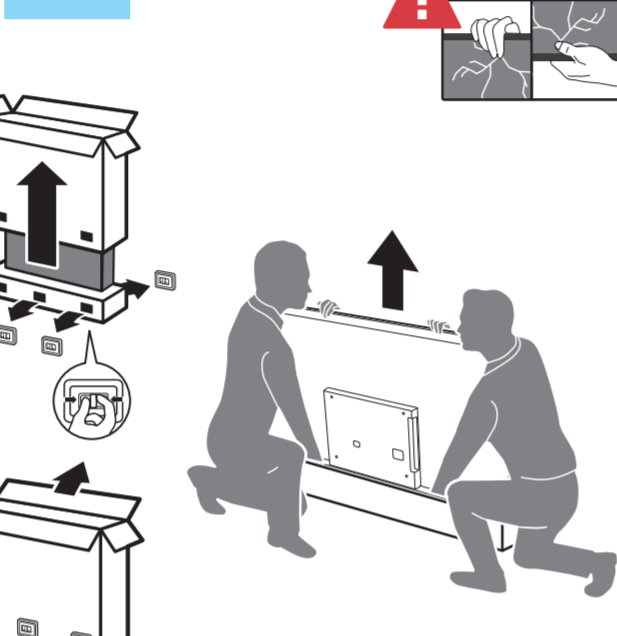
1 43"/50"/55"



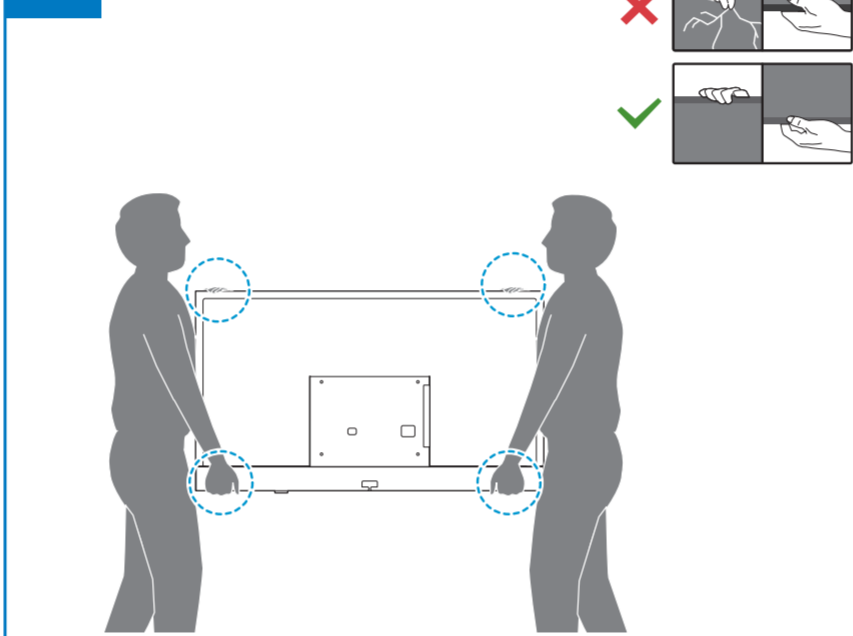
65"/75"



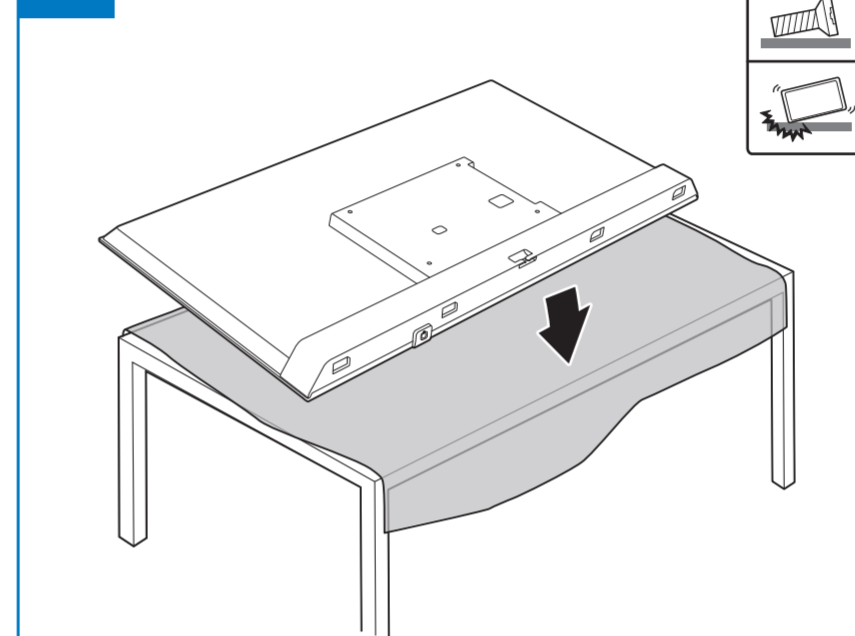
85"



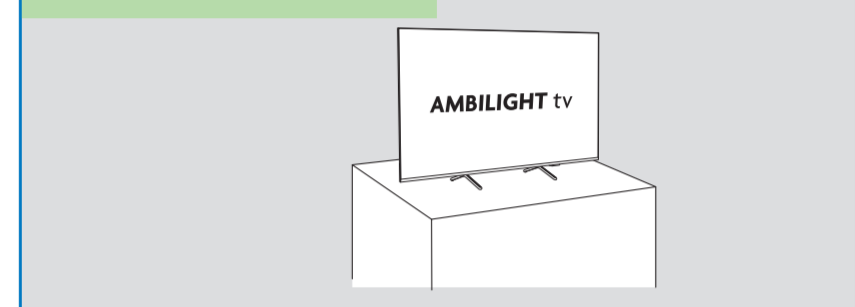
2



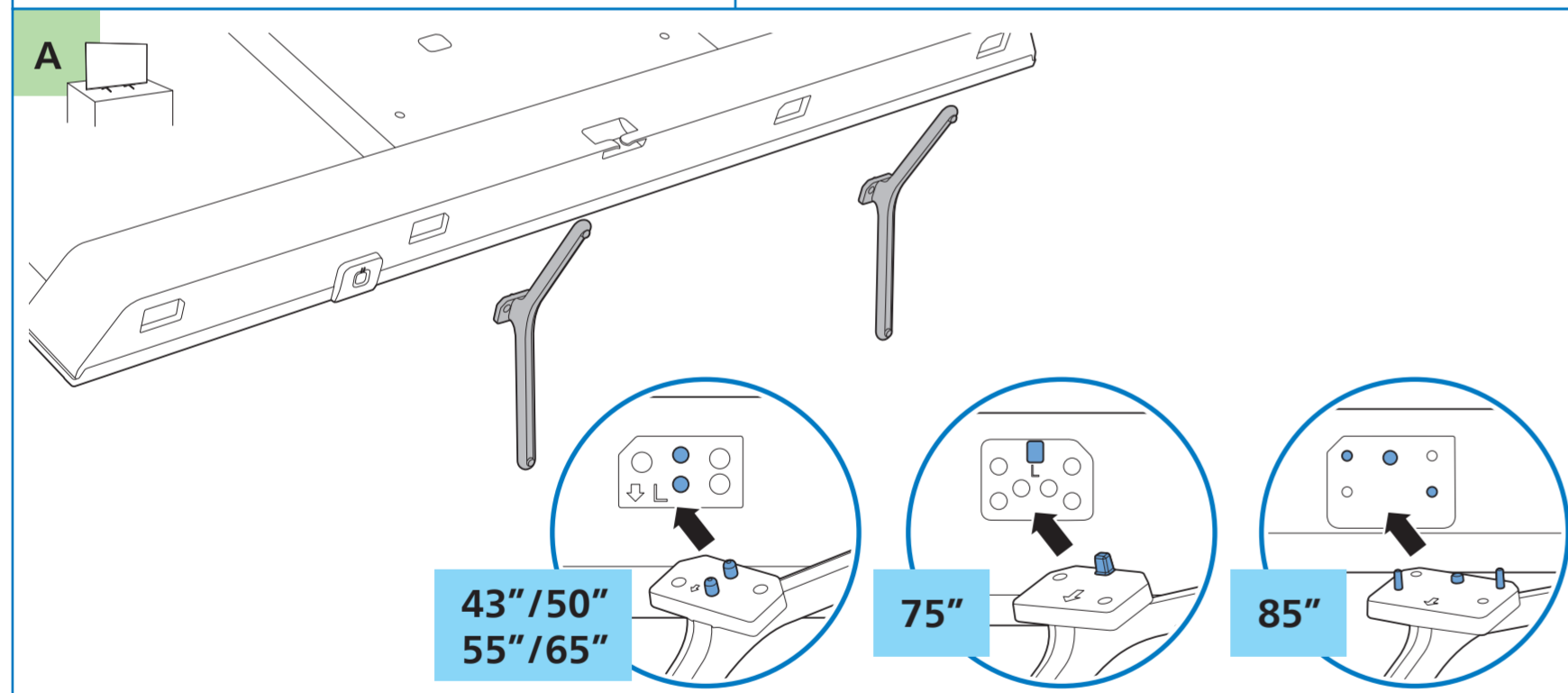
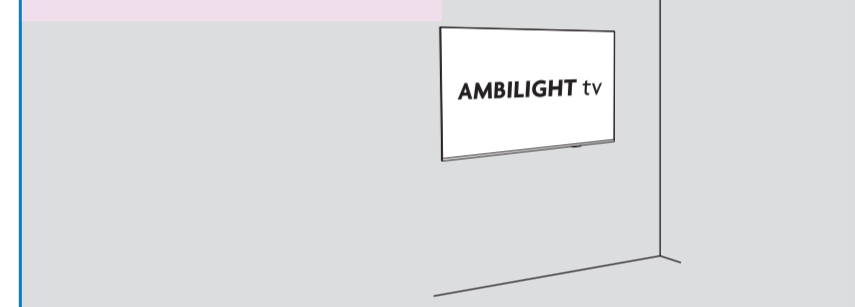
3



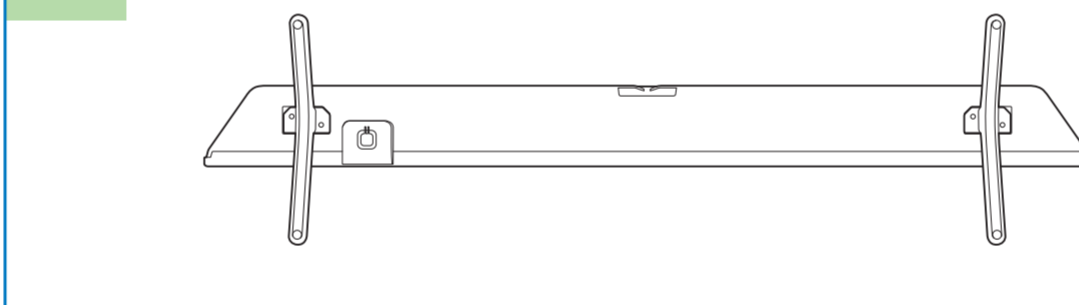
A Desk Placement



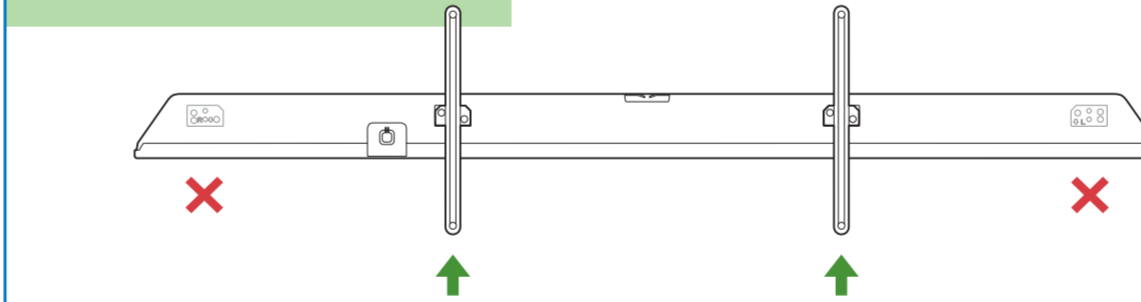
B Wall Placement



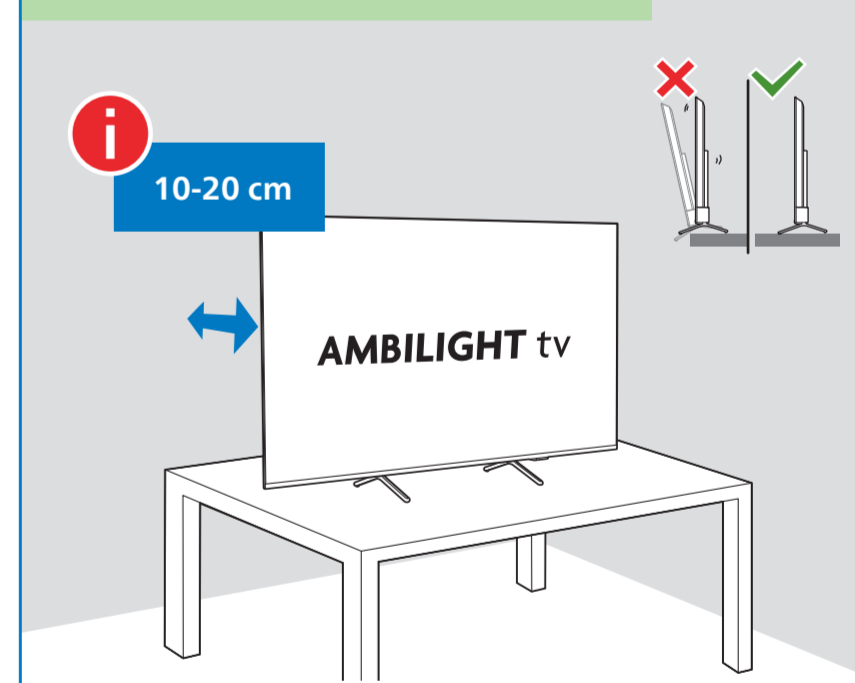
43"



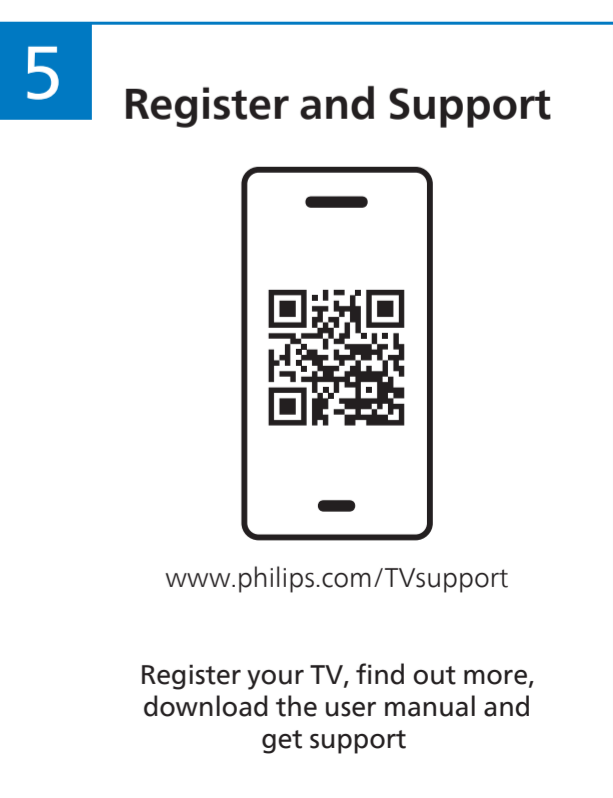
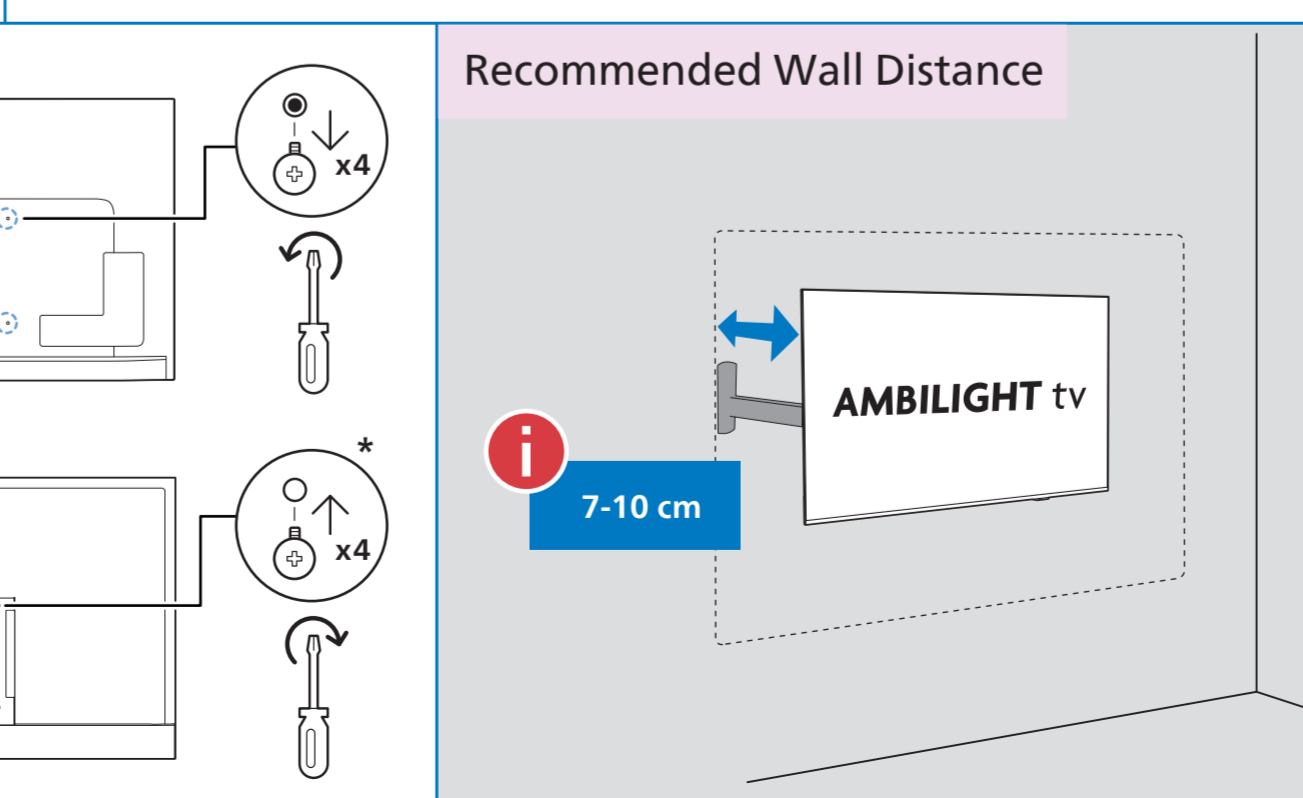
50"/55"/65"/75"/85"

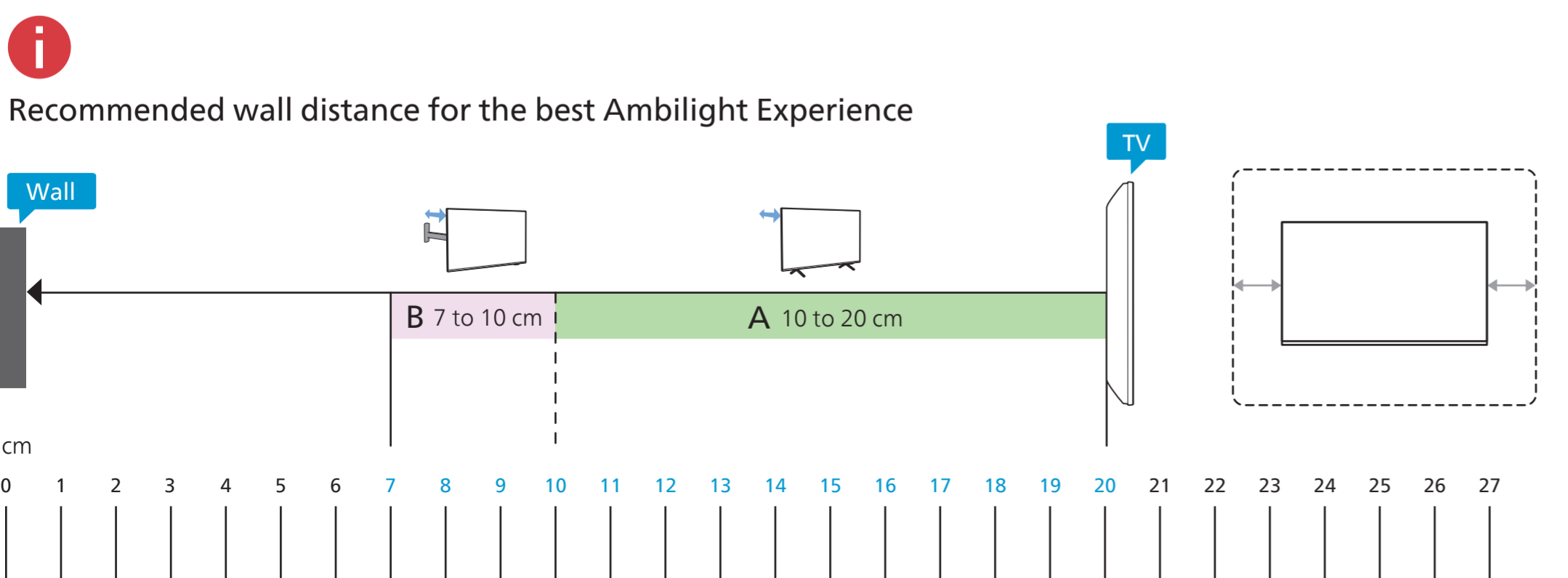
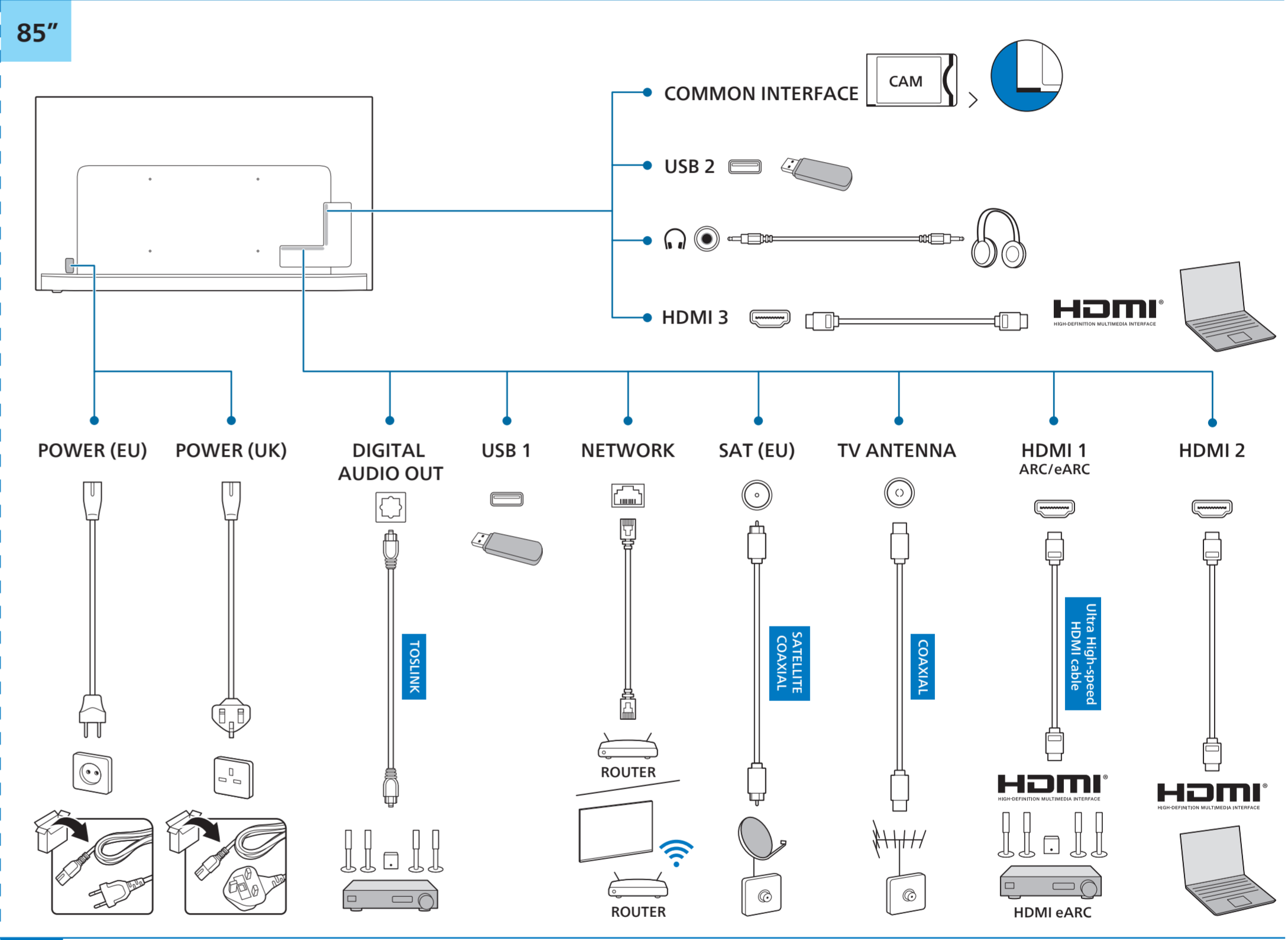
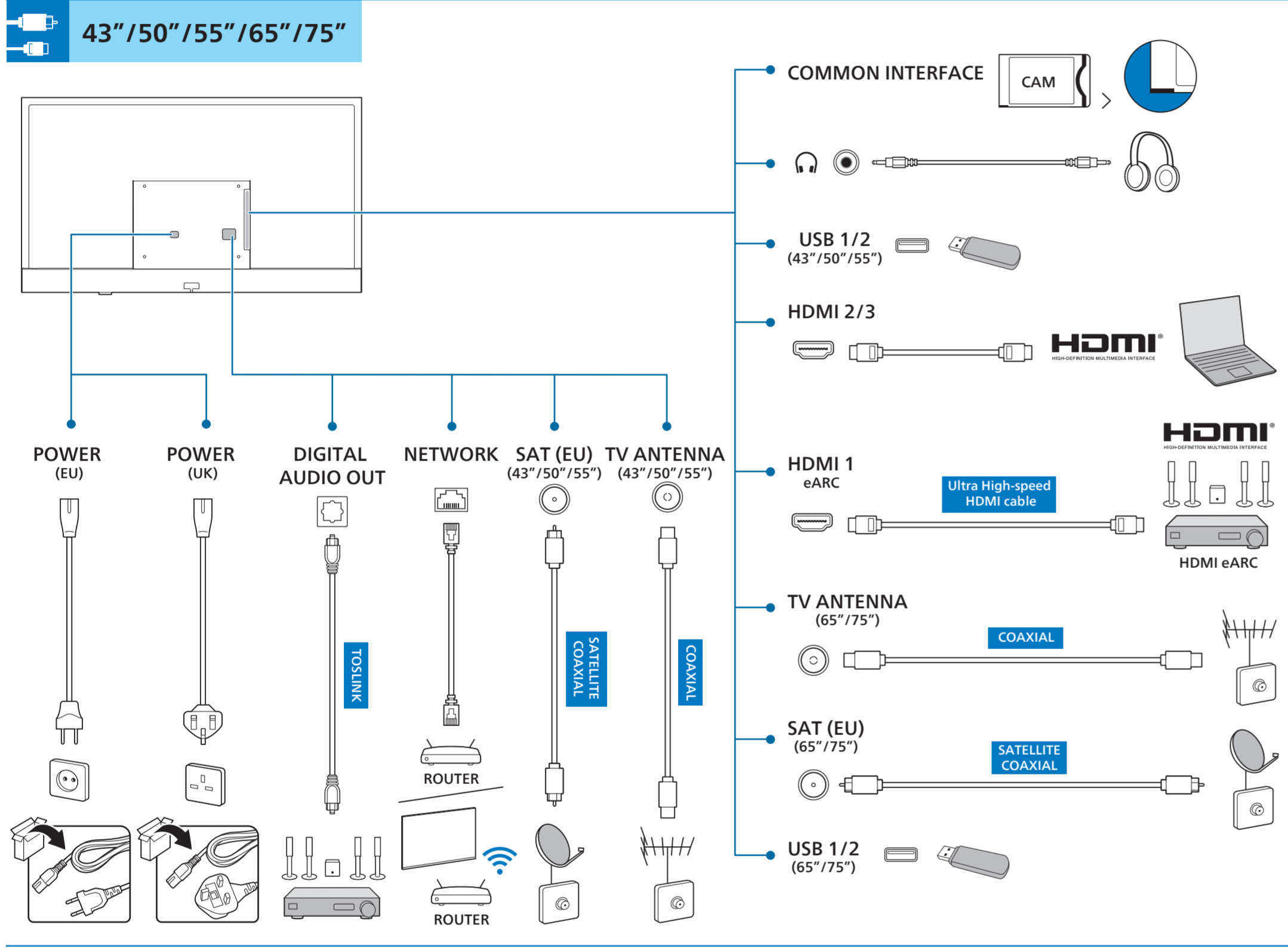
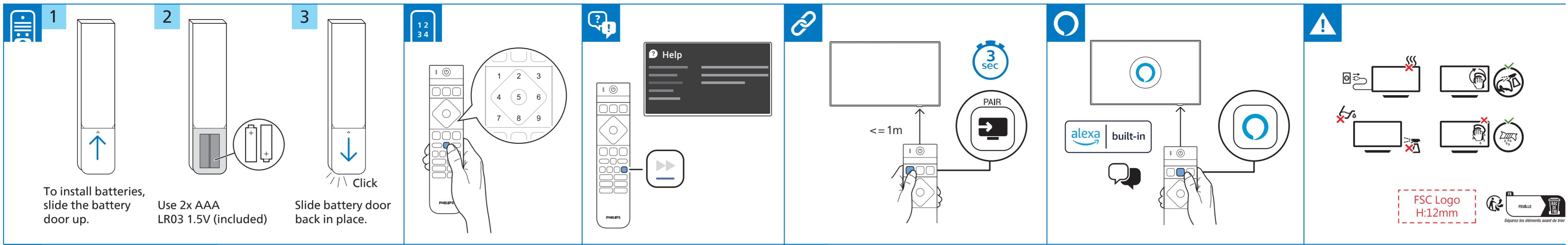


Recommended Wall Distance



Diagonal (inch/cm)	X (mm)	Y (mm)	Screw Size	Screw Length (mm)
43" / 108	200	100	M6	9-10
50" / 126	200	100	M6	9-10
55" / 139	200	100	M6	9-10
65" / 164	400	300	M8	12-22
75" / 189	400	300	M8	12-22
85" / 215	600	400	M8	24-28





English Read the safety instructions.

Български Прочетете инструкциите за безопасност.

Čeština Přečtěte si bezpečnostní pokyny.

Hrvatski Pročitajte sigurnosne upute.

Dansk Læs sikkerhedsforskrifterne.

Deutsch Lesen Sie die Sicherheitshinweise.

Ελληνικά Διαβάστε τις οδηγίες ασφαλείας.

Eesti Lugege ohutusnõudeid.

Español Lea las instrucciones de seguridad.

Français Lisez les consignes de sécurité.

Italiano Leggere le istruzioni di sicurezza.

Казакша Қорғаныстық нұсқаулар.

Latviešu Izlasiet drošības norādījumus.

Lietuvių Perskaitykite saugos instrukcijas.

Magyar Olvassa el a biztonságai utasításokat.

Nederlands Lees de veiligheidsvoorschriften.

Norsk Les sikkerhetsforskriftene.

Polski Zapoznaj się z instrukcjami bezpieczeństwa.

Português Leia as instruções de segurança.

Română Citiți instrucțiunile de siguranță.

Русский Читайте инструкции по технике безопасности.

Srpski Pročitajte bezbednosna uputstva.

Slovenščina Preberite varnostna navodila.

Slovenský Prečítajte si bezpečnostné pokyny.

Suomi Lue turvaohjeet.

Svenska Läs säkerhetsinstruktionerna.

தமிழ் பொதுவான அறிவுரைகளைப் படிக்கவும்.

Türkçe Güvenlik talimatlarını okuyun.

Українська Читайте інструкції з техніки безпеки.

العربية قراءة تعليمات السلامة.

עברית קראו את הוראות הבטיחות.

PHILIPS

All registered and unregistered trademarks are property of their respective owners. Specifications are subject to change without notice. Philips and the Philips Shield Emblem are registered trademarks of Koninklijke Philips N.V. and are used under license. This product has been manufactured by and is sold under the responsibility of TP Vision Europe B.V., and TP Vision Europe B.V. is the warrantor in relation to this product. 2025 © TP Vision Europe B.V. All rights reserved. www.philips.com/welcome