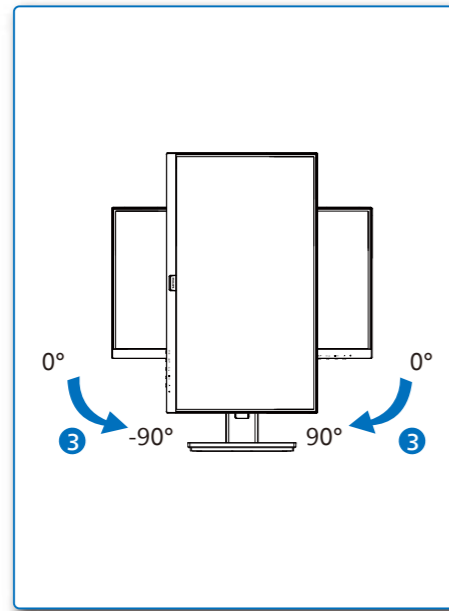
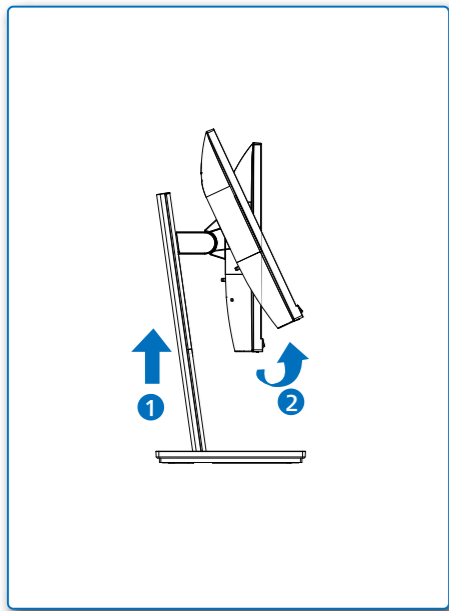
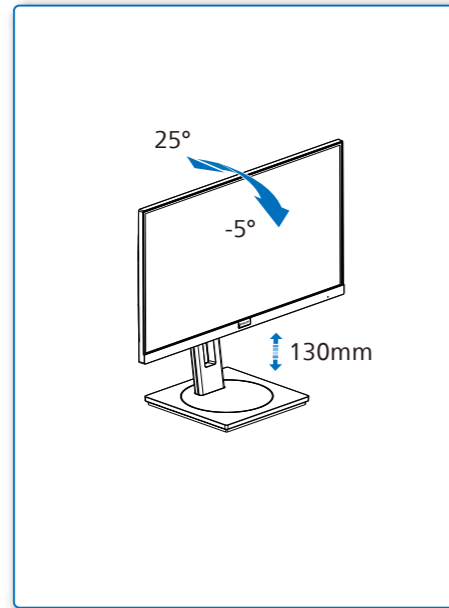
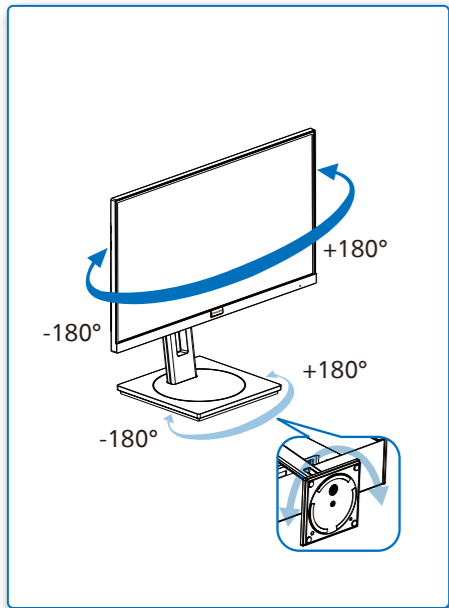


4



Register your product and get support at [www.philips.com/support](http://www.philips.com/support)



FAQ

Software SmartControl

User Manual

Version: 22259JMLQ1WWT  
2024 © TOP Victory Investments Ltd. All rights reserved.

This product has been manufactured by and is sold under the responsibility of Top Victory Investments Ltd., and Top Victory Investments Ltd. is the warrantor in relation to this product. Philips and the Philips Shield Emblem are registered trademarks of Koninklijke Philips N.V. and are used under license.

Specifications are subject to change without notice.

**HDMI**

The terms HDMI, HDMI High-Definition Multimedia Interface, HDMI Trade Dress and the HDMI Logos are trademarks or registered trademarks of HDMI Licensing Administrator, Inc.

[www.philips.com](http://www.philips.com)

Energy Labelling  
22259JML



Printed in China



H41G785481342B

PHILIPS

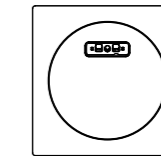
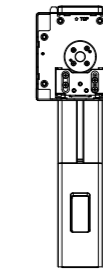
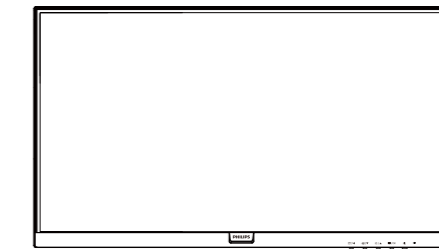
S Line

22259

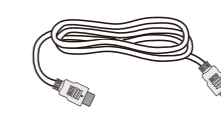


# Quick Start

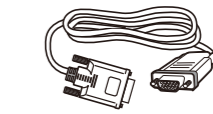
Register your product and get support at [www.philips.com/welcome](http://www.philips.com/welcome)



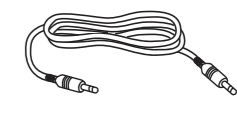
Power



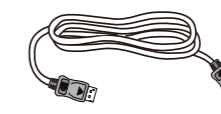
\*HDMI



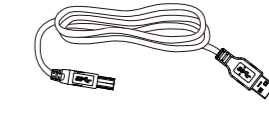
\*VGA



\*Audio



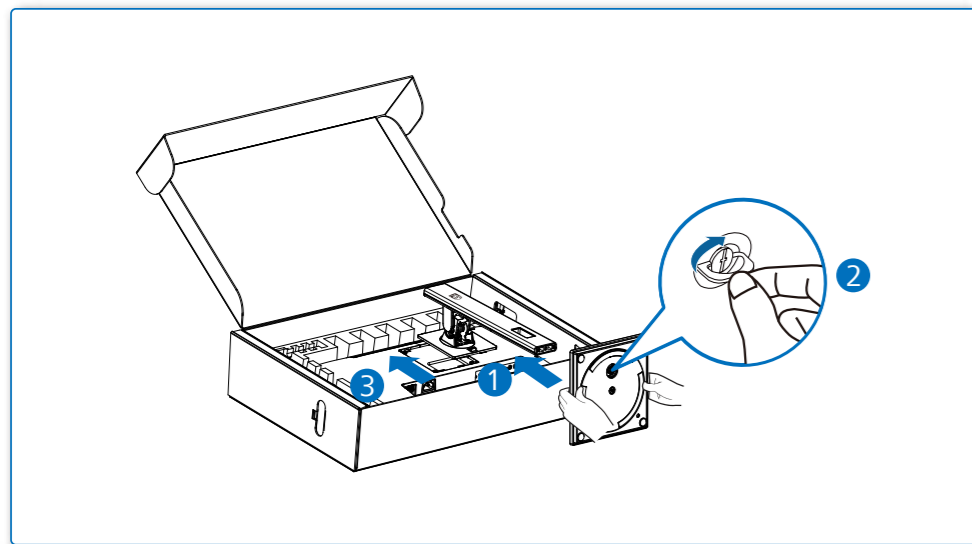
\*DP



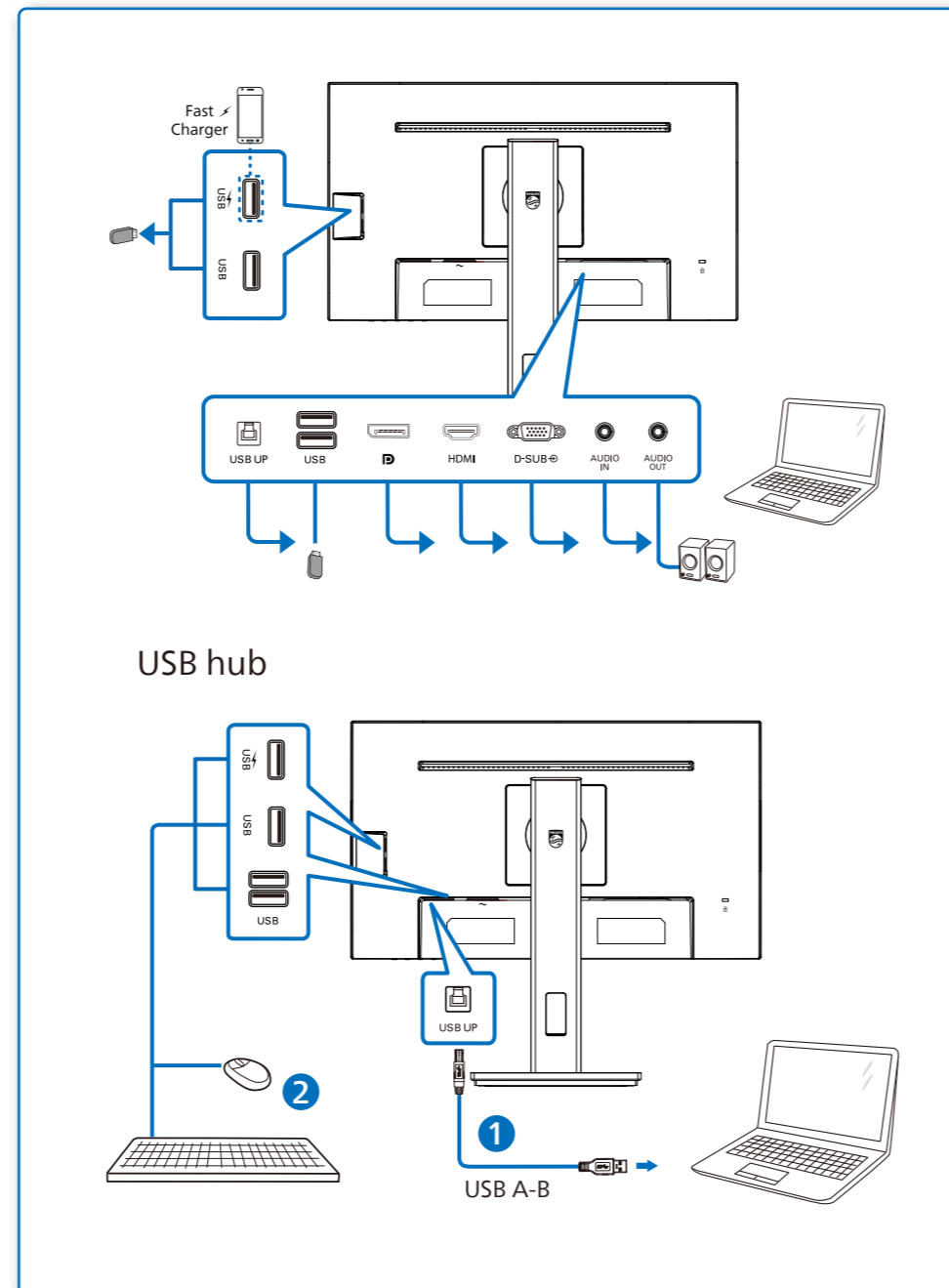
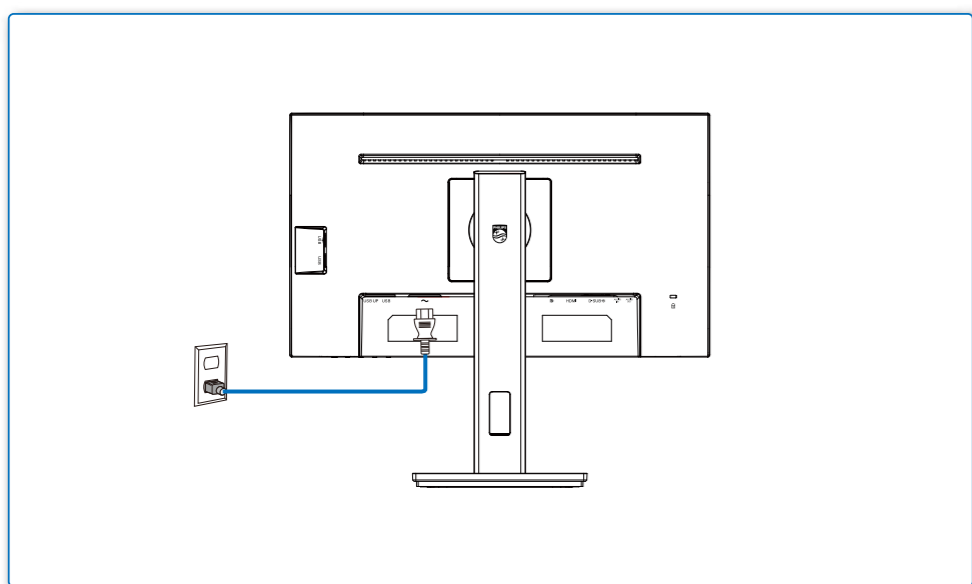
\*USB A-B

\*Different according to region  
Display design may differ from that illustrated

1



2



3

