



Philips
Professional LED LCD TV

26" EasySuite
LED
DVB-T/C MPEG 2/4

26HFL3233D



Impress your guests, with the most efficiency

Philips Hospitality LED LCD TV

With this modern and energy efficient Hospitality LED LCD TV, you will enjoy all the benefits of digital television. Your guests will enjoy a warm welcome and great viewing experience with this professional hotel TV.

Sustainable and safe

- Low power consumption
- Eco-friendly design and flame-retardant housing
- Green Button allows guest to save even more energy

Differentiating guest experience

- Additional headphone connection for personal listening
- Hotel Scenea for a tailored info and start-up channel
- ThemeTV Lite for easy channel navigation

Advanced hotel features and future proof

- Brilliant LED images with low power consumption
- MyChoice compatibility for recurring revenues
- Integrated Connectivity Panel
- Full Hotel, Healthcare and Prison Modes
- Installation menu locking

PHILIPS

Highlights

LED



The most advanced LED lighting technology in this TV combines an eye-catching minimalistic design with stunning image quality as well as the lowest power consumption in its category. On top of that, LED lighting technology does not contain any hazardous materials. Thus, with LED backlight you can enjoy low power consumption, high brightness, incredible contrast, sharpness and vibrant colours.

Hotel, Hospital, Prison Mode

All required features for professional use in environments where more is required than in a living room. From volume and menu locking to more rigorous material testing, energy saving, anti-theft remote controls and dedicated Healthcare and Prison features to allow for niche market applications.

MyChoice compatible



MyChoice offers a simple and low-cost way to offer your guests premium TV channels. At the same time it delivers an additional revenue stream which allows you to recover your initial TV investment.

ThemeTV Lite

ThemeTV Lite offers an easy user interface that gives your guests the opportunity to navigate the guest menu to find channels from their home country, news and hotel information easily without the need for an interactive entertainment system.

Hotel Scenea

Hotel Scenea allows you to select and store images on the TV that can be displayed as a start-up or info channel.

Integrated Connectivity Panel

The Integrated Connectivity Panel allows your guests to seamlessly connect their personal devices to your TV without the need for an external Connectivity Panel.

Low power consumption

Philips TVs are designed to minimise power consumption. This will not only reduce

environmental impact but also lower operating costs.

Green Button

With the Green Button guests have the option to save even more energy on the TV by opting for a higher backlight dimming or by switching off the screen when listening to radio. Another way to reduce a hotel's operating costs while involving guests directly.

Installation menu locking

Prevents unauthorised access to installation and configuration settings, to ensure maximum guest convenience and avoid unnecessary reprogramming costs.

Eco-friendly design

Sustainability is integral to the way Philips does business. Philips TVs are designed and produced according to our EcoDesign principles aimed at minimising overall environmental impact, through lower power consumption, removal of hazardous substances, lower weight, more efficient packaging and better recyclability. Philips TVs also have a special housing of flame-retardant material. Independent tests carried out by emergency fire services have shown that whereas TVs can sometimes intensify fires caused by external sources, Philips TVs will not contribute to a fire.

Headphone connection

This speaker system features an additional headphone connection. Connect your own headphones for a more personal listening experience whenever you want it.

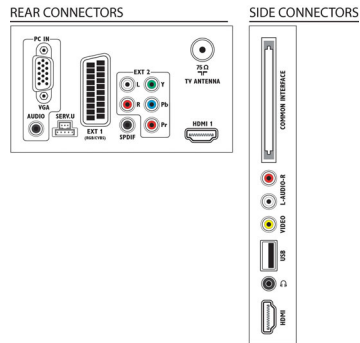
Specifications

Picture/Display

- Aspect ratio: Widescreen
- Diagonal screen size (inch): 26 inch
- Diagonal screen size (metric): 66 cm
- Colour cabinet: Whiskey tint deco front with high gloss black cabinet
- Panel resolution: 1366 x 768p
- Brightness: 400 cd/m²
- Picture enhancement: 3/2 - 2/2 motion pull down,

- 3D Combfilter, Colour Enhancement, Colour Transient Improvement, Digital Crystal Clear, Digital Noise Reduction, Luminance Transient Improver, Sharpness Adjustment, 3D MA deinterlacing, Automatic skin tone correction, Dynamic contrast enhancement, 1080p 24/25/30 Hz processing, 1080p 50/60 Hz processing, Active Control
- Display screen type: LCD WXGA+ Active Matrix

- TFT
 - Dynamic screen contrast: 150,000:1
 - Response time (typical): 6 ms
 - Viewing angle: 178° (H)/178° (V)
 - Screen enhancement: Anti-Reflection coated screen
- ### Supported Display Resolution
- Computer formats: 640 x 480, 60 Hz, 800 x 600,



Specifications

60 Hz, 1024 x 768, 60 Hz, 1280 x 1024, 60 Hz, 1280 x 720, 60 Hz, 1280 x 768, 60 Hz, 1360 x 768, 60 Hz

- Video formats: 480i, 60 Hz, 480p, 60 Hz, 576i, 50 Hz, 576p, 50 Hz, 1080i, 50, 60 Hz, 720p, 50, 60 Hz, 1080p, 24, 50, 60 Hz, 1080p, 24, 25, 30, 50, 60 Hz

Tuner/Reception/Transmission

- Aerial Input: 75 ohm coaxial (IEC75)
- Tuner bands: Hyperband, S-Channel, UHF, VHF
- TV system: PAL I, PAL B/G, SECAM B/G, SECAM L/L', DVB COFDM 2K/8K, PAL D/K, SECAM D/K
- Digital TV: DVB-T MPEG4, DVB-C MPEG4*
- Number of Pre-set Channels: 999
- Video Playback: PAL, SECAM, NTSC

Multimedia Applications

- Multimedia connections: USB
- Playback Formats: MP3, JPEG Still pictures
- Video Playback Formats: H264/MPEG-4 AVC, MPEG-1, MPEG-2, MPEG-4

Convenience

- Ease of Installation: Plug and Play, Advanced Hotel Mode, Automatic Tuning System (ATS), Fine Tuning, PLL Digital Tuning, Automatic Channel Install (ACI), Auto Programme Naming, Autostore, Cloning of TV settings via USB, Installation menu locking, Security menu access, Keyboard lock-out, Cloning of TV settings via RF
- Ease of Use: Auto Volume Leveller (AVL), 1 channel list analogue/digital, On-Screen Display, Programme List, Side Control, Graphical User Interface
- Clock: Sleep Timer
- Comfort: Hotel Guest features, Welcome message, Switch on channel, Volume limitation, Sleep timer
- Screen Format Adjustments: 4:3, Movie expand 14:9, Movie expand 16:9, Widescreen, Subtitle Zoom, Super Zoom, Auto Format
- Electronic Programme Guide: 8-day Electronic Programme Guide, Now + Next EPG
- Remote Control: low battery detection, battery anti-theft protection
- Interactive hotel features: Block automatic channel update, Block over-the-air SV download, MyChoice, ThemeTV Lite
- Remote control type: 22AV1104C (RC6)
- Prison mode: Txt, MHEG, USB, EPG, Sub block
- Teletext: 1000-page Smart Text
- Other convenience: Kensington lock
- Firmware upgradeable: Firmware upgradeable via USB, Firmware upgradeable via RF

Healthcare

- Control: Multi remote control
- Safety: Double isolation Class II
- Convenience: Headphone out, Independent main

speaker mute

Sound

- Output power (RMS): 2 x 3 W
- Sound System: Nicam Stereo
- Sound Enhancement: Auto Volume Leveller, Incredible Surround, Smart Sound, Treble and Bass Control

Loudspeakers

- Built-in speakers: 2

Connectivity

- Number of HDMI connections: 2
- Number of Scarts: 1
- EasyLink (HDMI-CEC): One touch play, System standby
- Front/Side connections: Audio L/R in, CVBS in, Headphones Out, USB 2.0, HDMI v1.3
- Ext 1 Scart: Audio L/R, RGB, CVBS in
- HDMI 1: HDMI v1.3
- Other connections: PC-in VGA + Audio L/R in, Antenna IEC75, Common Interface Plus (CI+), S/PDIF out (coaxial)
- Ext 2: YPbPr in

Power

- Mains power: 220-240 V, 50/60 Hz
- Ambient temperature: 5°C to 35°C
- Power consumption (typical): 33 W
- Annual energy consumption: 54 kW h
- Presence of lead: Yes*

Green Specifications

- Safety: Flame-retardant housing
- Low Power Standby
- SmartPower Eco

Accessories

- Included accessories: Remote Control, Batteries for remote control, Power cord, Tabletop stand, Warranty Leaflet
- Optional accessories: Wall mount (tilt) 22AV3100/10, Set up remote 22AV8573/00

Dimensions

- Set Width: 637 mm
- Set Height: 411 mm
- Set Depth: 51.4 mm
- Product weight: 5.2 kg
- Set width (with stand): 637 mm
- Set height (with stand): 447 mm
- Set depth (with stand): 170 mm
- Product weight (+stand): 5.5 kg
- Box width: 810 mm
- Box height: 525 mm
- Box depth: 170 mm
- Wall-mount compatible: 75 x 75 mm



Issue date 2024-03-24

Version: 2.1.5

EAN: 87 12581 60237 6

© 2024 Koninklijke Philips N.V.
All Rights reserved.

Specifications are subject to change without notice.
Trademarks are the property of Koninklijke Philips N.V.
or their respective owners.

www.philips.com