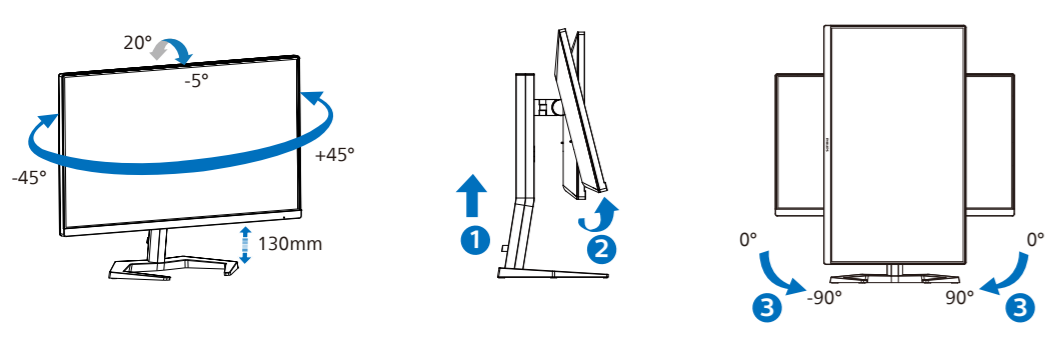
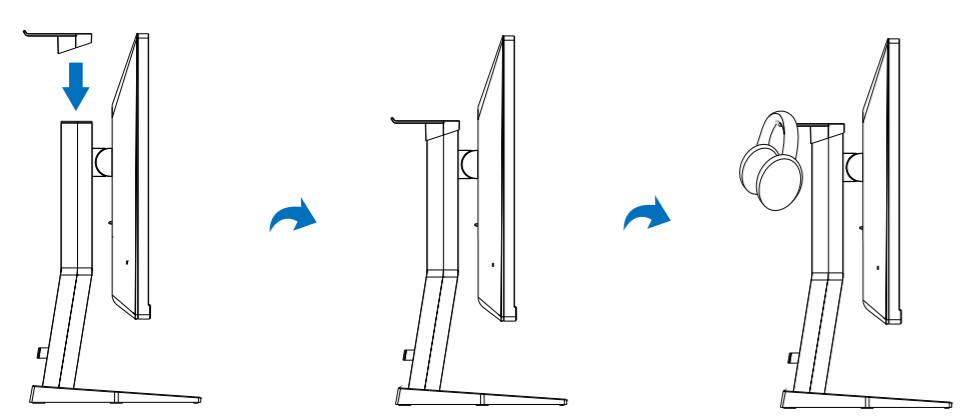


4



Earphone-Hang



Register your product and get support at [www.philips.com/support](http://www.philips.com/support)



Version: 27M1N3500Q1T  
 2021 © TOP Victory Investments Ltd. All rights reserved.  
 This product has been manufactured by and is sold under the responsibility of Top Victory Investments Ltd., and Top Victory Investments Ltd. is the warrantor in relation to this product. Philips and the Philips Shield Emblem are registered trademarks of Koninklijke Philips N.V. and are used under license.

Specifications are subject to change without notice.

**HDMI**  
 The terms HDMI, HDMI High-Definition Multimedia Interface, HDMI Trade Dress and the HDMI Logos are trademarks or registered trademarks of HDMI Licensing Administrator, Inc.

[www.evnia.philips](http://www.evnia.philips)



EVNIA

# Quick start

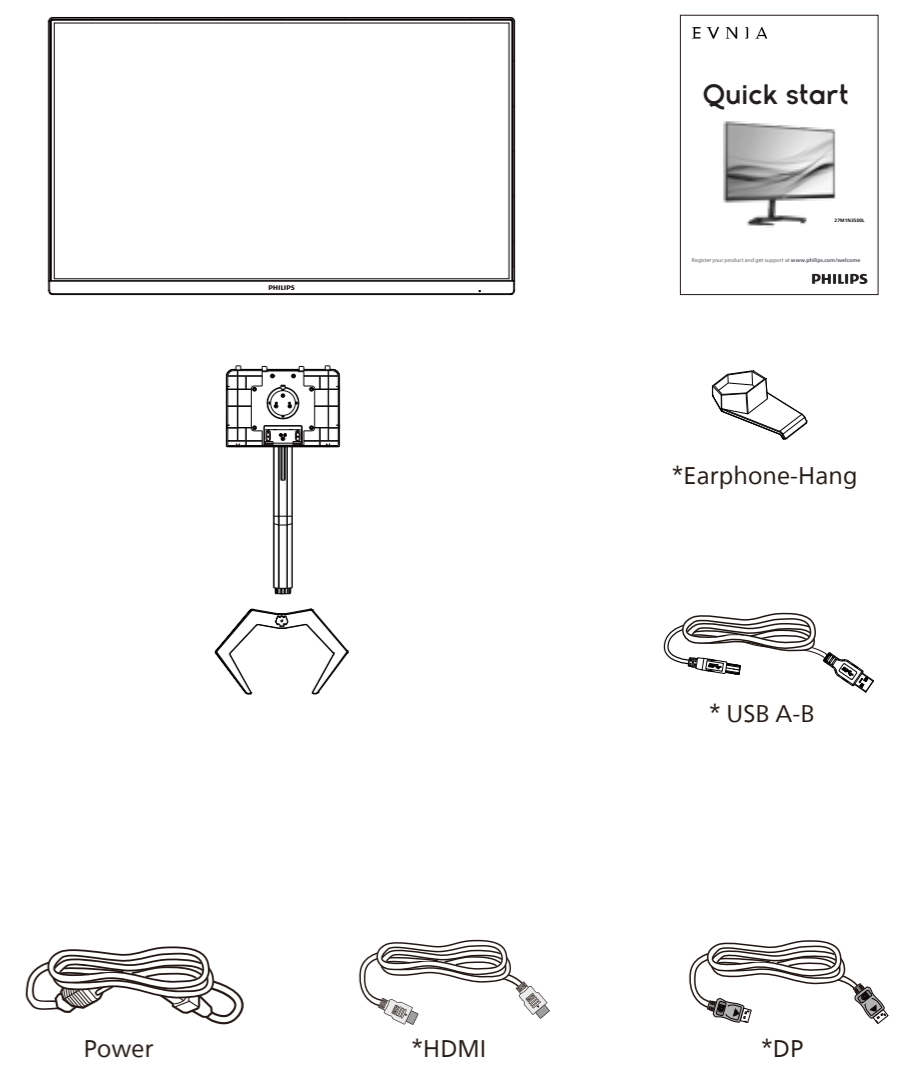


27M1N3500L

Register your product and get support at [www.philips.com/welcome](http://www.philips.com/welcome)

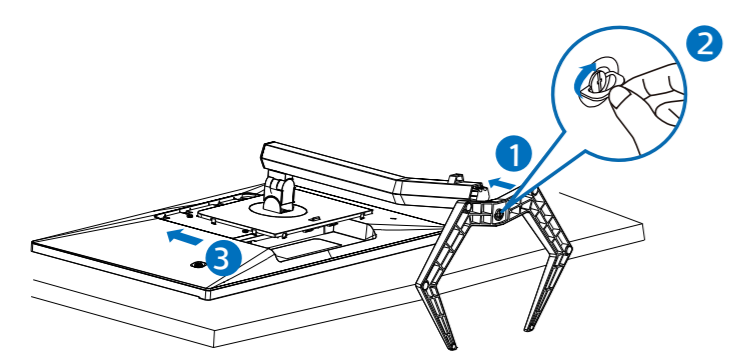
# PHILIPS

## Contents



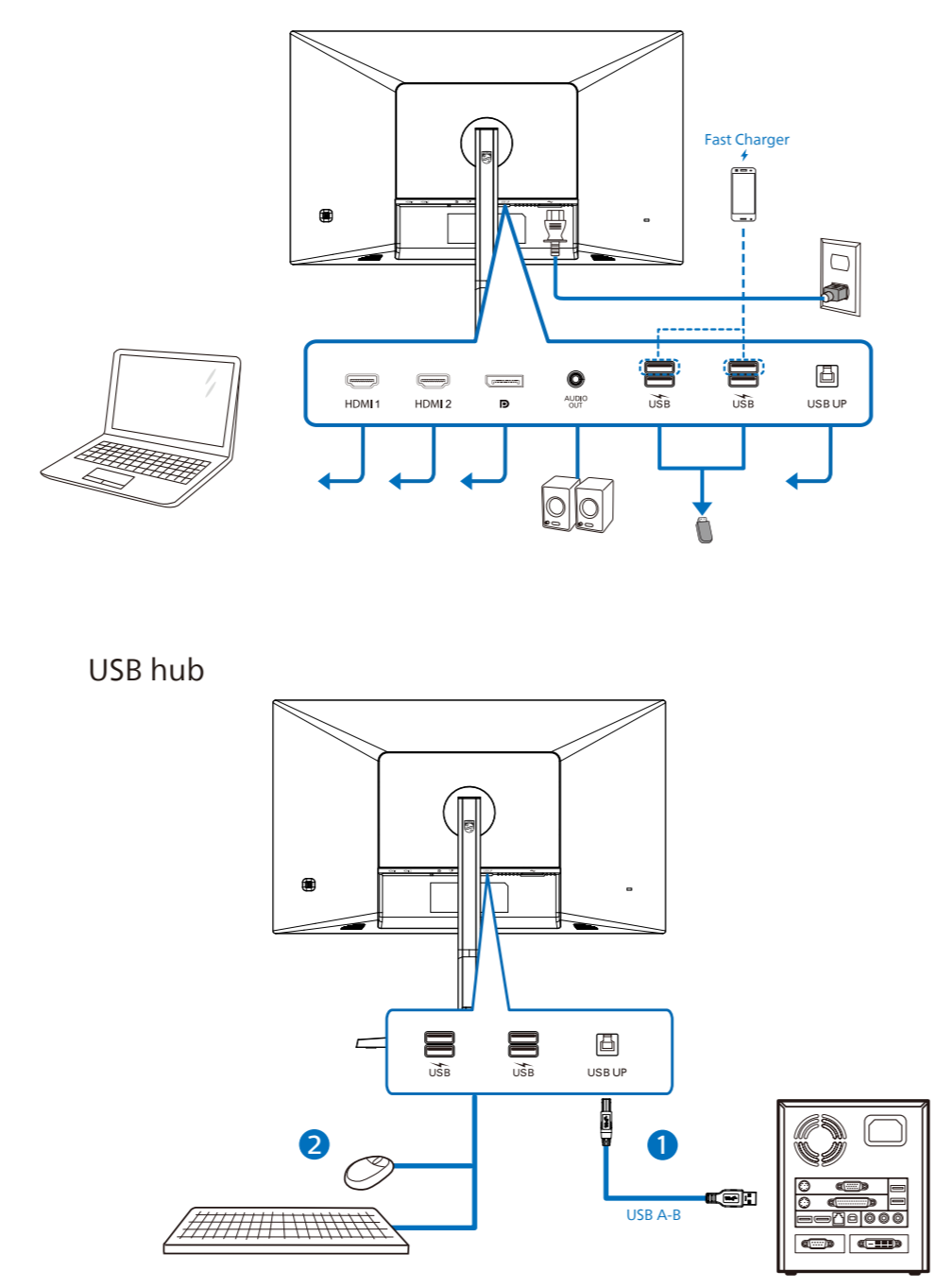
\*Different according to region  
 Display design may differ from that illustrated

1



▲ CAUTION: Place the monitor face down on a smooth surface. Pay attention not to scratch or damage the screen.

2



3

