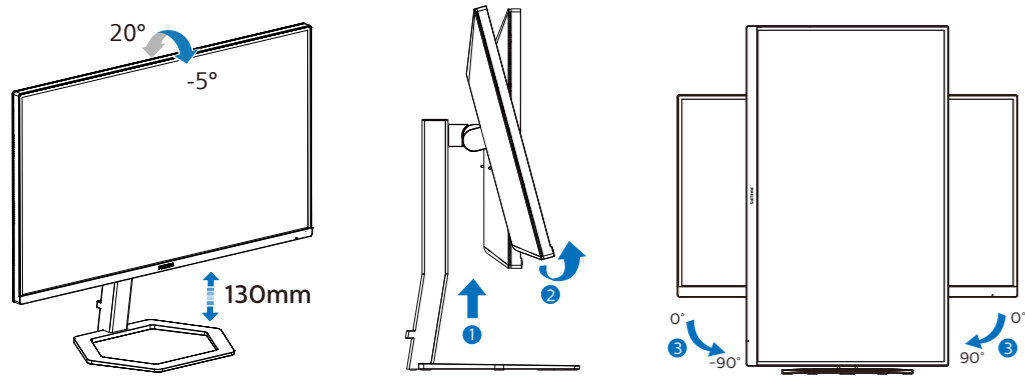
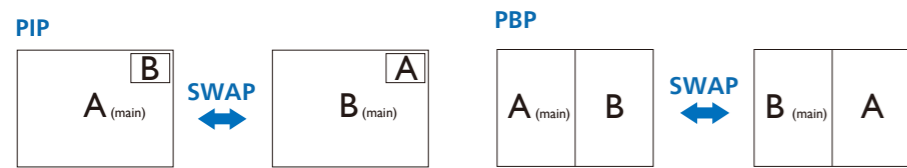
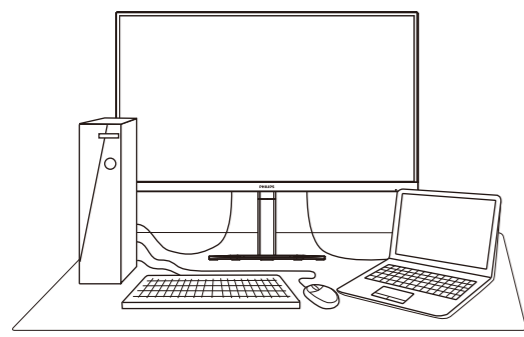


4



5



		SUB SOURCE POSSIBILITY (x1)			
MultiView		HDMI 1	HDMI 2	DisplayPort	
MAIN SOURCE (x1)	HDMI 1	•	•	•	•
	HDMI 2	•	•	•	•
	DisplayPort	•	•	•	•



Register your product and get support at [www.philips.com/support](http://www.philips.com/support)



Version: 32E1N5800Q1T  
2023 © TOP Victory Investments Ltd. All rights reserved.

This product has been manufactured by and is sold under the responsibility of Top Victory Investments Ltd., and Top Victory Investments Ltd. is the warrantor in relation to this product. Philips and the Philips Shield Emblem are registered trademarks of Koninklijke Philips N.V. and are used under license.

Specifications are subject to change without notice.

**HDMI**  
The terms HDMI, HDMI High-Definition Multimedia Interface, HDMI Trade Dress and the HDMI Logos are trademarks or registered trademarks of HDMI Licensing Administrator, Inc.

[www.philips.com](http://www.philips.com)



**PHILIPS**  
Monitor  
5000 Series

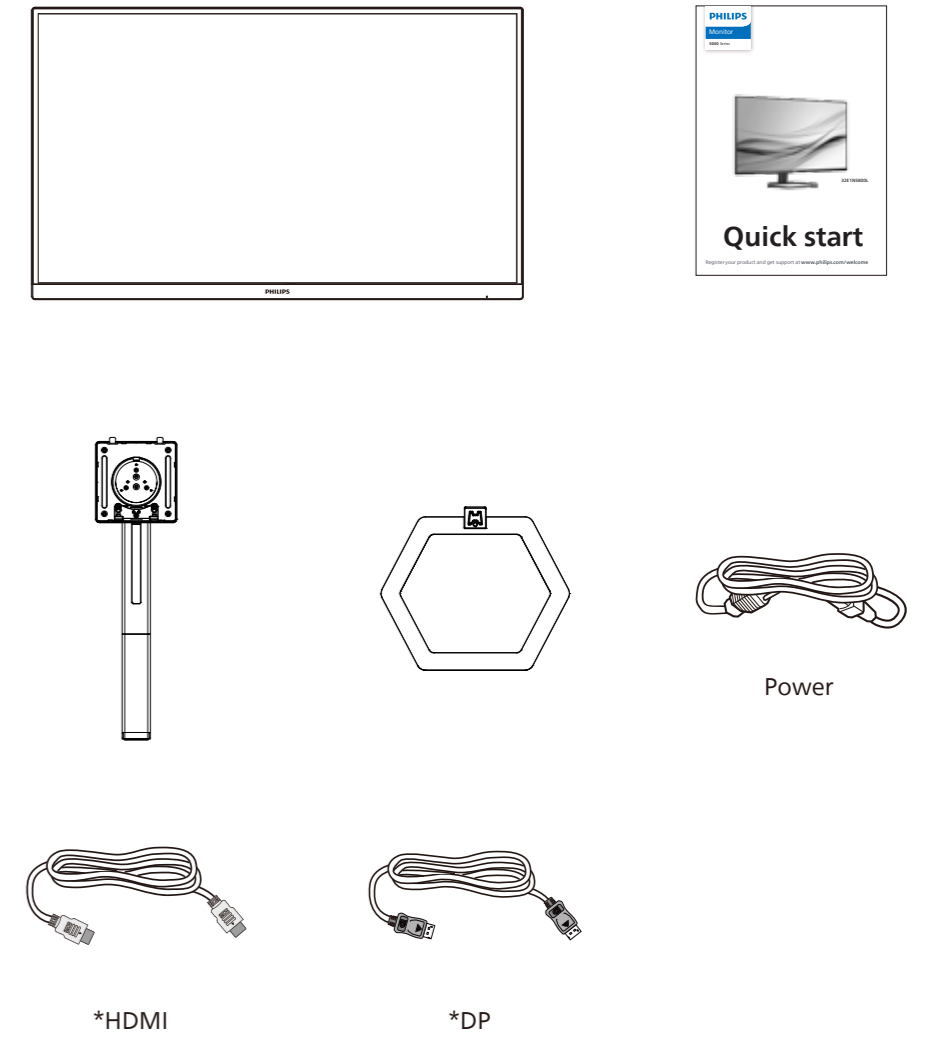


32E1N5800L

# Quick start

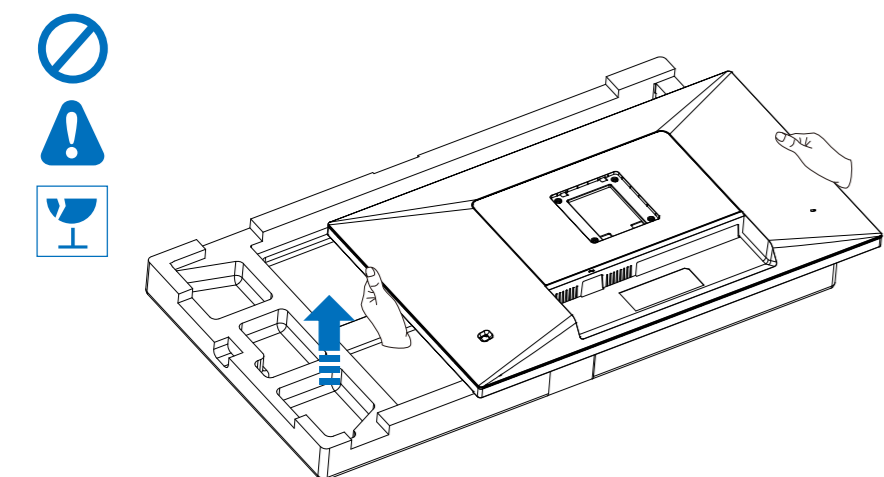
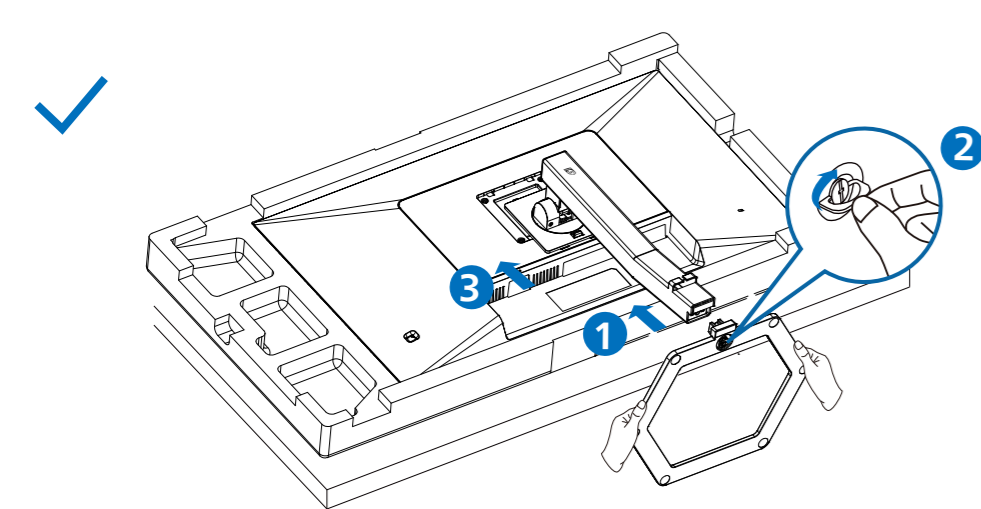
Register your product and get support at [www.philips.com/welcome](http://www.philips.com/welcome)

## Contents



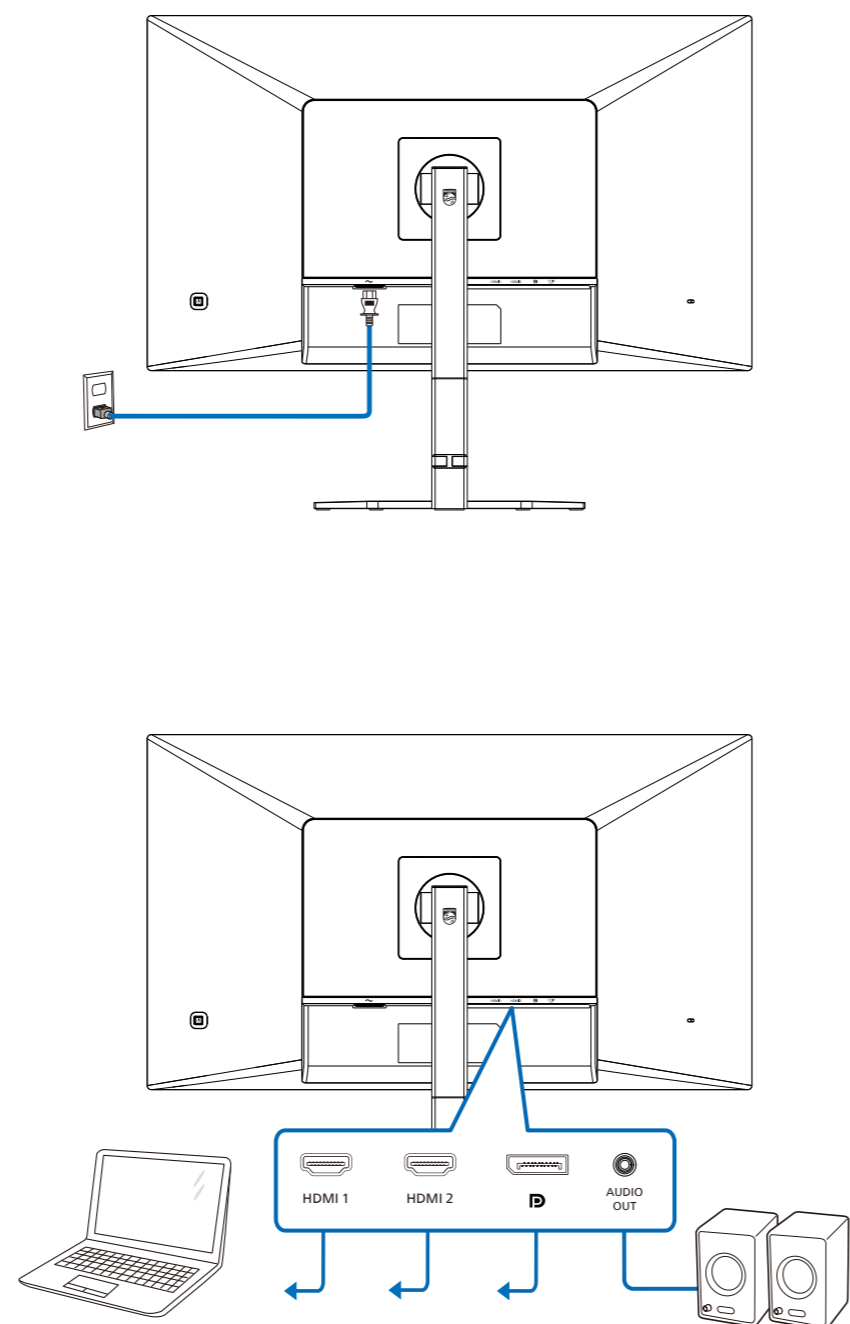
\*Different according to region  
Display design may differ from that illustrated

1



**CAUTION:** Place the monitor face down on a smooth surface. Pay attention not to scratch or damage the screen.

2



3

