

Always there to help you

Register your product and get support at
www.philips.com/welcome

AJ7030DG/37

Question?
Contact
Philips



User manual

PHILIPS

Contents

1 Important	5	7 Product information	17
Safety	5	Specifications	17

2 Your clock radio	7	8 Troubleshooting	18
Introduction	7		
What's in the box	7		
Overview of the main unit	8		

3 Get started	10	9 Notice	19
Install battery	10	Disposal of your old product and batteries	19
Connect power	10		
Set clock	10		
Turn on	11		

4 Play from iPhone/iPod	12		
Compatible iPhone/iPod	12		
Listen to audio from iPhone/iPod	12		
Remove the iPhone/iPod	12		
Charge the iPhone/iPod	13		
Adjust volume	13		

5 Listen to FM radio	14		
Tune to FM radio stations	14		
Store FM radio stations automatically	14		
Store FM radio stations manually	14		
Select a preset radio station	14		

6 Other features	15		
Set alarm timer	15		
Set sleep timer	15		
Play audio from an external device	16		
Adjust display brightness	16		

Register online at www.philips.com/welcome today to
get the very most from your purchase.

Registering your model with PHILIPS makes you eligible for all of the valuable benefits listed below, so don't miss out.
Register online at www.philips.com/welcome to ensure:

*Product Safety Notification

By registering your product, you'll receive notification - directly from the manufacturer.

*Additional Benefits

Registering your product guarantees that you'll receive all of the privileges to which you're entitled, including special money-saving offers.

PHILIPS

*Congratulations on your purchase,
and welcome to the "family!"*

Dear PHILIPS product owner:

Thank you for your confidence in PHILIPS. You've selected one of the best-built, best-backed products available today. We'll do everything in our power to keep you happy with your purchase for many years to come.

As a member of the PHILIPS "family," you're entitled to protection by one of the most comprehensive warranties in the industry. What's more, your purchase guarantees you'll receive all the information and special offers for which you qualify, plus easy access to accessories from our convenient home shopping network.

Most importantly, you can count on our uncompromising commitment to your total satisfaction.

All of this is our way of saying welcome - and thanks for investing in a PHILIPS product.

P.S. To get the most from your PHILIPS purchase, be sure to register online at:

www.philips.com/welcome

Know these safety symbols



This "bolt of lightning" indicates uninsulated material within your unit may cause an electrical shock. For the safety of everyone in your household, please do not remove product covering.

The "exclamation point" calls attention to features for which you should read the enclosed literature closely to prevent operating and maintenance problems.

WARNING: To reduce the risk of fire or electric shock, this apparatus should not be exposed to rain or moisture and objects filled with liquids, such as vases, should not be placed on this apparatus.

CAUTION: To prevent electric shock, match wide blade of plug to wide slot, fully insert.

ATTENTION: Pour éviter les choc électriques, introduire la lame la plus large de la fiche dans la borne correspondante de la prise et pousser jusqu'au fond.

For Customer Use

Enter below the Serial No. which is located on the rear of the cabinet. Retain this information for future reference.

Model No. _____

Serial No. _____

PHILIPS

Visit our World Wide Web Site at <http://www.philips.com/welcome>

PHILIPS LIMITED WARRANTY ONE (1) YEAR

WARRANTY COVERAGE:

PHILIPS warranty obligation is limited to the terms set forth below.

WHO IS COVERED:

Philips warrants the product to the original purchaser or the person receiving the product as a gift against defects in materials and workmanship as based on the date of original purchase ("Warranty Period") from an Authorized Dealer. The original sales receipt showing the product name and the purchase date from an authorized retailer is considered such proof.

WHAT IS COVERED:

The Philips warranty covers new products if a defect in material or workmanship occurs and a valid claim is received by Philips within the Warranty Period. At its option, Philips will either (1) repair the product at no charge, using new or refurbished replacement parts, or (2) exchange the product with a product that is new or which has been manufactured from new, or serviceable used parts and is at least functionally equivalent or most comparable to the original product in Philips current inventory, or (3) refund the original purchase price of the product. Philips warrants replacement products or parts provided under this warranty against defects in materials and workmanship from the date of the replacement or repair for ninety (90) days or for the remaining portion of the original product's warranty, whichever provides longer coverage for you. When a product or part is exchanged, any replacement item becomes your property and the replaced item becomes Philips' property. When a repair is given, your product becomes Philips' property.

Note: Any product sold and identified as refurbished or renewed carries a ninety (90) day limited warranty.

Replacement product can only be sent if all warranty requirements are met. Failure to follow all requirements can result in delay.

WHAT IS NOT COVERED - EXCLUSIONS AND LIMITATIONS:

This Limited Warranty applies only to the new products manufactured by or for Philips that can be identified by the trademark, trade name, or logo affixed to it. This Limited Warranty does not apply to any non-Philips hardware product or any software, even if packaged or sold with the product. Non-Philips manufacturers, suppliers, or publishers may provide a separate warranty for their own products packaged with the bundled product.

Philips is not liable for any damage to or loss of any programs, data, or other information stored on any media contained within the product, or any non-Philips product or part not covered by this warranty. Recovery or reinstallation of programs, data or other information is not covered under this Limited Warranty.

This warranty does not apply (a) to damage caused by accident, abuse, misuse, neglect, misapplication, or non-Philips product, (b) to damage caused by service performed by anyone other than Philips or Philips Authorized Service Location, (c) to a product or a part that has been modified without the written permission of

Philips, or (d) if any Philips serial number has been removed or defaced, or (e) product, accessories or consumables sold "AS IS" without warranty of any kind by including refurbished Philips product sold "AS IS" by some retailers.

This Limited Warranty does not cover:

- Shipping charges to return defective product to Philips.
- Labor charges for installation or setup of the product, adjustment of customer controls on the product, and installation or repair of antenna/signal source systems outside of the product.
- Product repair and/or part replacement because of improper installation or maintenance, connections to improper voltage supply, power line surge, lightning damage, retained images or screen markings resulting from viewing fixed stationary content for extended periods, product cosmetic appearance items due to normal wear and tear, unauthorized repair or other cause not within the control of Philips.
- Damage or claims for products not being available for use, or for lost data or lost software.
- Damage from mishandled shipments or transit accidents when returning product to Philips.
- A product that requires modification or adaptation to enable it to operate in any country other than the country for which it was designed, manufactured, approved and/or authorized, or repair of products damaged by these modifications.
- A product used for commercial or institutional purposes (including but not limited to rental purposes).
- Product lost in shipment and no signature verification receipt can be provided.
- Failure to operate per Owner's Manual.

TO OBTAIN ASSISTANCE IN THE U.S.A., CANADA, PUERTO RICO, OR U.S. VIRGIN ISLANDS...

Contact Philips Customer Care Center at:
1-866-309-0845

REPAIR OR REPLACEMENT AS PROVIDED UNDER THIS WARRANTY IS THE EXCLUSIVE REMEDY FOR THE CONSUMER. PHILIPS SHALL NOT BE LIABLE FOR ANY INCIDENTAL OR CONSEQUENTIAL DAMAGES FOR BREACH OF ANY EXPRESS OR IMPLIED WARRANTY ON THIS PRODUCT. EXCEPT TO THE EXTENT PROHIBITED BY APPLICABLE LAW, ANY IMPLIED WARRANTY OF MERCHANTABILITY OR FITNESS FOR A PARTICULAR PURPOSE ON THIS PRODUCT IS LIMITED IN DURATION TO THE DURATION OF THIS WARRANTY.

Some states do not allow the exclusions or limitation of incidental or consequential damages, or allow limitations on how long an implied warranty lasts, so the above limitations or exclusions may not apply to you.

This warranty gives you specific legal rights. You may have other rights which vary from state/province to state/province.

P&F USA, Inc. PO Box 2248, Alpharetta, GA 30023-2248

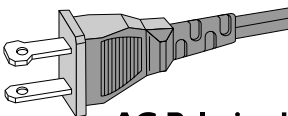
3140 035 51091

1 Important

Safety

Important Safety Instructions

- ① Read these instructions.
- ② Keep these instructions.
- ③ Heed all warnings.
- ④ Follow all instructions.
- ⑤ Do not use this apparatus near water.
- ⑥ Clean only with dry cloth.
- ⑦ Do not block any ventilation openings. Install in accordance with the manufacturer's instructions.
- ⑧ Do not install near any heat sources such as radiators, heat registers, stoves, or other apparatus (including amplifiers) that produce heat.
- ⑨ Do not defeat the safety purpose of the polarized or grounding-type plug. A polarized plug has two blades with one wider than the other. A grounding type plug has two blades and a third grounding prong. The wide blade or the third prong are provided for your safety. If the provided plug does not fit into your outlet, consult an electrician for replacement of the obsolete outlet.



AC Polarized Plug

- ⑩ Protect the power cord from being walked on or pinched, particularly at plugs, convenience receptacles, and the point where they exit from the apparatus.
- ⑪ Only use attachments/accessories specified by the manufacturer.
- ⑫ Use only with the cart, stand, tripod, bracket, or table specified by the manufacturer or sold with the apparatus. When a cart is used, use caution when moving the cart/apparatus combination to avoid injury from tip-over.



- ⑬ Unplug this apparatus during lightning storms or when unused for long periods of time.
- ⑭ Refer all servicing to qualified service personnel. Servicing is required when the apparatus has been damaged in any way, such as power-supply cord or plug is damaged, liquid has been spilled or objects have fallen into the apparatus, the apparatus has been exposed to rain or moisture, does not operate normally, or has been dropped.
- ⑮ **Battery usage CAUTION** – To prevent battery leakage which may result in bodily injury, property damage, or damage to the unit:
 - Install all batteries correctly, + and - as marked on the unit.
 - Do not mix batteries (old and new or carbon and alkaline, etc.).
 - Batteries (packed or installed) shall not be exposed to excessive heat such as sunshine, fire or the like.
 - Remove batteries when the unit is not used for a long time.

- ⑩ Apparatus shall not be exposed to dripping or splashing.
- ⑪ Do not place any sources of danger on the apparatus (e.g. liquid filled objects, lighted candles).
- ⑫ This product may contain lead and mercury. Disposal of these materials may be regulated due to environmental considerations. For disposal or recycling information, please contact your local authorities or the Electronic Industries Alliance: www.eiae.org.
- ⑬ Where the plug of the Direct Plug-in Adapter is used as the disconnect device, the disconnect device shall remain readily operable.



Warning

- Never remove the casing of this apparatus.
- Never place this apparatus on other electrical equipment.
- Keep this apparatus away from direct sunlight, naked flames or heat.
- To reduce the risk of fire or electric shock, do not expose this apparatus to rain or moisture.
- Ensure that you always have easy access to the power cord, plug or adapter to disconnect this apparatus from the power.

Risk of swallowing coin battery

- The product/remote control may contain a coin/button type battery, which can be swallowed. Keep the battery out of reach of children at all times! If swallowed, the battery can cause serious injury or death. Severe internal burns can occur within two hours of ingestion.
- If you suspect that a battery has been swallowed or placed inside any part of the body, seek immediate medical attention.
- When you change the batteries, always keep all new and used batteries out of reach of children. Ensure that the battery compartment is completely secure after you replace the battery.
- If the battery compartment cannot be completely secured, discontinue use of the product. Keep out of reach of children and contact the manufacturer.

2 Your clock radio

Congratulations on your purchase, and welcome to Philips! To fully benefit from the support that Philips offers, register your product at www.philips.com/welcome.

Introduction

With this clock radio, you can:

- listen to FM radio;
- enjoy audio from iPod/iPhone or an external device;
- know the time; and
- wake up by buzzer alarm, radio, or audio in iPod/iPhone.

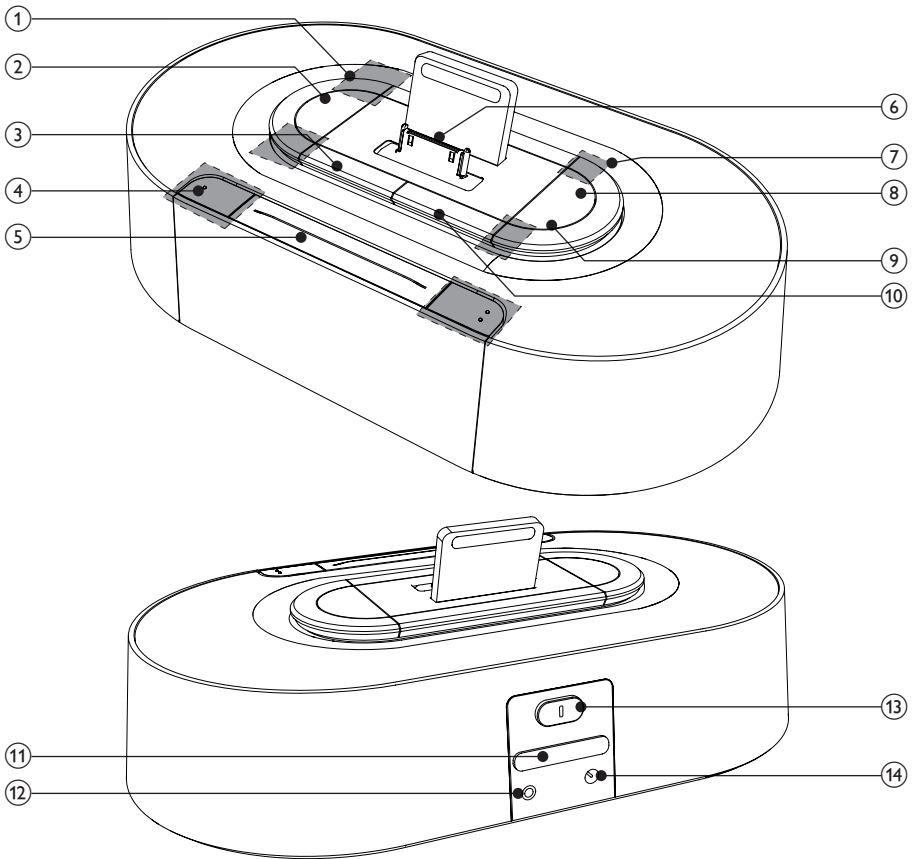
What's in the box

Check and identify the contents of your package:

- Main unit (with a battery)
- AC/DC power adapter
- User manual

Overview of the main unit

Ⓐ



① **PRESET ▲▼**

- Select a preset radio station.
- Adjust hour and minute.

② **TUNING +/-**

- Tune to a FM radio station.
- Adjust hour and minute.

③ **⓪**

- Turn on/off the clock radio.
- Switch the clock radio to standby mode.

④ **AL1/AL2**

- Set alarm.
- View alarm settings.
- Activate/deactivate alarm timer.

⑤ **SNOOZE/BRIGHTNESS**

- Snooze alarm.
- Adjust display brightness.

⑥ **iPod/iPhone**

- Dock for iPod/iPhone.

- ⑦ **VOLUME +/-**
 - Adjust volume.
- ⑧ **SET**
 - Store radio stations automatically/
manually.
 - Set clock.
- ⑨ **SLEEP**
 - Set sleep timer.
- ⑩ **SOURCE**
 - Select source.
- ⑪ **Battery tray**
- ⑫ **AUX IN**
 - Connect an external audio device.
- ⑬ **AL1/2 iPhone RADIO BUZZ**
 - Select alarm source.
- ⑭ **DC 5V**
 - Power supply socket.

3 Get started

Always follow the instructions in this chapter in sequence.

Install battery

! Caution

- Risk of explosion! Keep batteries away from heat, sunshine or fire. Never discard batteries in fire.
- Danger of explosion if battery is incorrectly replaced. Replace only with the same or equivalent type.
- The battery contains chemical substances, so it should be disposed of properly.
- Perchlorate Material - special handling may apply. See www.dtsc.ca.gov/hazardouswaste/perchlorate.

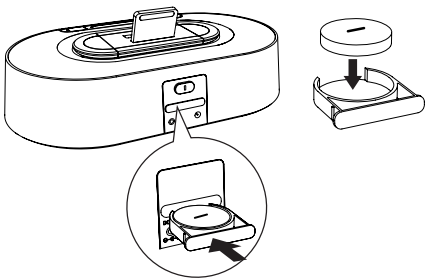
☰ Note

- You can only use AC power as power supply. The pre-installed lithium CR2032 battery can only back up time and alarm.

For first-time use:

Remove the protective tab to activate the battery.

To replace the battery: ⑧

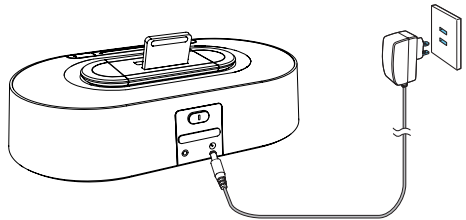


Connect power

! Caution

- Risk of product damage! Ensure that the power voltage corresponds to the voltage printed on the back or underside of the clock radio.
- Risk of electric shock! When you unplug the AC adapter, always pull the plug from the socket. Never pull the cord.

©



Set clock

- 1 In standby mode, press and hold **SET** for two seconds to activate clock setting mode.
↳ [12H] or [24H] is displayed.
- 2 Press **TUNING +/-** or **▲ / ▼** repeatedly to select 12/24 hour format.
- 3 Press **SET** again to confirm.
↳ The hour digits begin to blink.
- 4 Repeat Steps 2 to 3 to set the hour and minute.

☰ Note

- If clock is not manually set, when iPhone/iPod is connected, the clock radio synchronizes time from the iPhone/iPod automatically.

Turn on

Press **⓪**.

- ↳ The clock radio switches to the last selected source.

Switch to standby mode

Press **⓪** to switch the clock radio to standby mode.

- ↳ The clock (if set) appears on the display panel.

4 Play from iPhone/iPod

You can enjoy audio from iPhone/iPod through this clock radio.

Compatible iPhone/iPod

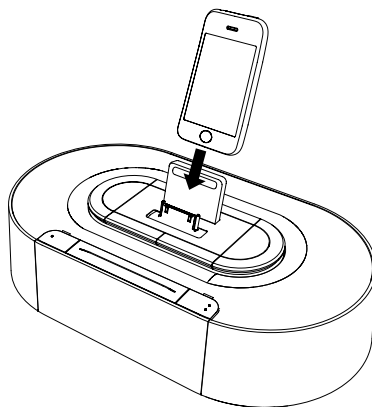
The clock radio supports these iPod and iPhone models:

Made for:

- iPod touch (1st, 2nd, 3rd, and 4th generation)
- iPod classic
- iPod with video
- iPod nano (1st, 2nd, 3rd, 4th, 5th, and 6th generation)
- iPod with color display
- iPod mini
- iPhone 4S
- iPhone 4
- iPhone 3GS
- iPhone 3G
- iPhone

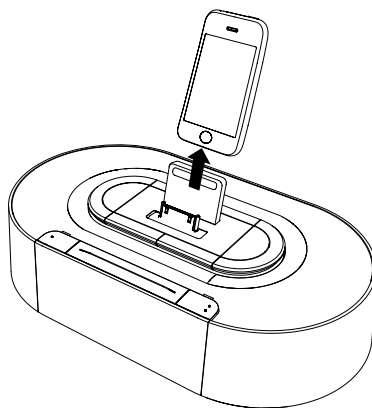
Listen to audio from iPhone/iPod

- 1 Press **SOURCE** repeatedly to select iPhone/iPod mode.
- 2 Place the iPhone/iPod in the dock. ©
- 3 Start to play audio from the iPhone/iPod.



Remove the iPhone/iPod

Pull the iPhone/iPod out of the dock. ©

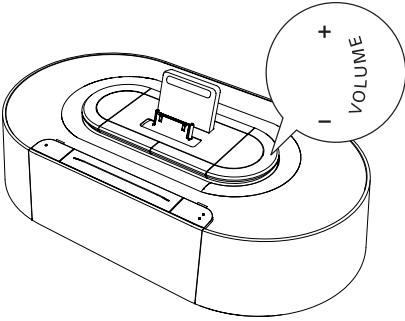


Charge the iPhone/iPod

When the clock radio is connected to power, the docked iPhone/iPod starts charging.

Adjust volume

Ⓟ



5 Listen to FM radio

Tune to FM radio stations



Tip

- Position the antenna as far as possible from TV, VCR, or other radiation source.
- For better reception, fully extend and adjust the position of the antenna.

- 1 Press **SOURCE** repeatedly to select FM tuner source.
 - 2 Press and hold **TUNING +/-** for two seconds.
↳ The clock radio tunes to a station with strong reception automatically.
 - 3 Repeat step 2 to tune to more stations.
- To tune to a station manually:**
Press **TUNING +/-** repeatedly until you find optimal reception.

Store FM radio stations automatically

You can store a maximum of 20 FM radio stations.

In tuner mode, press and hold **SET** for two seconds.

- ↳ The clock radio stores all the available FM radio stations and broadcasts the first available station automatically.

Store FM radio stations manually

- 1 Tune to an FM radio station.
- 2 Press **SET**.
↳ The preset number begins to blink.
- 3 Press **PRESET ▲ / ▼** repeatedly to select a number.
- 4 Press **SET** again to confirm.
- 5 Repeat steps 1 to 4 to store other stations.



Note

- To remove a pre-stored station, store another station in its place.

Select a preset radio station

In tuner mode, press **PRESET ▲ / ▼** to select a preset number.

6 Other features

Set alarm timer

Set alarm

In standby mode, you can set two alarms to ring at different time.

Note

- Make sure that you have set the clock correctly.

- 1 Press and hold **AL1/AL2** for two seconds to activate alarm setting mode.
↳ The hour digits and alarm icon begin to blink.
- 2 Press **TUNING +/-** or **▲ / ▼** to set the hour.
- 3 Press **AL1/AL2** to confirm.
↳ The minute digits begin to blink.
- 4 Repeat steps 2 to 3 to set the minute and alarm volume. Ⓞ



Select alarm source

Adjust **AL1/2** **iPhone** **RADIO** **BUZZ** control to select alarm source for both alarms.

Note

- When alarm time comes, the selected radio, buzzer, or iPod/iPhone turns on.
- You can only select the same alarm source for Alarm 1/ Alarm2.
- If iPhone is selected as alarm source, while no iPhone/iPod is connected, the clock radio switches to buzzer source instead.

Activate/deactivate alarm timer

- 1 Press **AL1/AL2** to view alarm settings.
- 2 Press **AL1/AL2** again to activate or deactivate the alarm timer.
↳ **🔔 1** or **🔔 2** is displayed if alarm timer is on and disappears if it is off.

To stop the ringing alarm:

Press the corresponding **AL1/AL2**.

- ↳ The alarm repeats ringing for the next day.

Snooze alarm

When alarm sounds, press **SNOOZE**.

- ↳ The alarm snoozes and repeats ringing 9 minutes later.

To adjust alarm interval (in minutes), press **SNOOZE** repeatedly.

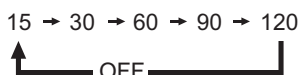
Set sleep timer

This clock radio can switch to standby mode automatically after a preset period.

Press **SLEEP** repeatedly to select the sleep timer period (in minutes).


- ↳ When the sleep timer is activated, **zZ** appears.

To deactivate the sleep timer, press **SLEEP** repeatedly until **[OFF]** (off) appears.



Play audio from an external device

You can listen to audio from an external device through this clock radio.

- 1 Connect the audio cable to:
 - the **AUX IN** socket.
 - the **AUDIO OUT** sockets of an external device.
- 2 Press **SOURCE** repeatedly to select AUX source.
↳  is displayed.
- 3 Start to play the external device (see the user manual of this device).

Adjust display brightness

Press **BRIGHTNESS** repeatedly to select different brightness levels.

7 Product information

Note

- Product information is subject to change without prior notice.

Specifications

Amplifier

Rated Output Power	2 x 3 W RMS
--------------------	-------------

Tuner

Tuning Range	FM: 87.5-108 MHz
--------------	------------------

Tuning grid	100 KHz
-------------	---------

Sensitivity: Mono, 26dB S/N Ratio	<22 dBf
-----------------------------------	---------

Search Selectivity	<28 dBf
--------------------	---------

Total Harmonic Distortion	<2%
---------------------------	-----

Signal to Noise Ratio	>55 dB
-----------------------	--------

General information

AC/DC Power Adaptor	Brand name: Philips; Model: ASSA1A-050200; Input: 100-240 V~, 50/60 Hz; 0.45 A; Output: 5 V --- 2 A
---------------------	--

Operation Power Consumption	8 W
-----------------------------	-----

Standby Power Consumption	<1 W
---------------------------	------

Dimensions: Main Unit (W x H x D)	198 x 71 x 111 mm
-----------------------------------	-------------------

Weight: Main Unit	0.5 kg
-------------------	--------

8 Troubleshooting



Warning

- Never remove the casing of this device.

To keep the warranty valid, never try to repair the system yourself.

If you encounter problems when using this device, check the following points before requesting service. If the problem remains unsolved, go to the Philips Web page (www.philips.com/support). When you contact Philips, make sure that the device is nearby and the model number and serial number are available.

No power

- Make sure that the AC power plug of the device is connected properly.
- Make sure that there is power at the AC outlet.

No response from the clock radio

- Disconnect and reconnect the AC power plug, and then turn on the clock radio again.

Poor radio reception

- Increase the distance between the unit and your TV or VCR.
- Fully extend the FM antenna.

Alarm does not work

- Set the clock/alarm correctly.

Clock/alarm setting erased

- Power has been interrupted or the power plug has been disconnected.
- Reset the clock/alarm.

9 Notice

Any changes or modifications made to this device that are not expressly approved by Philips Consumer Lifestyle may void the user's authority to operate the equipment.

Notice for the USA

This equipment has been tested and found to comply with the limits for a Class B digital device, pursuant to part 15 of the FCC Rules.

These limits are designed to provide reasonable protection against harmful interference in a residential installation. This equipment generates, uses, and can radiate radio frequency energy and, if not installed and used in accordance with the instruction manual, may cause harmful interference to radio communications.

However, there is no guarantee that interference will not occur in a particular installation. If this equipment does cause harmful interference to radio or television reception, which can be determined by turning the equipment off and on, the user is encouraged to try to correct the interference by one or more of the following measures:

- Relocate the receiving antenna.
- Increase the separation between equipment and receiver.
- Connect the equipment into an outlet on a circuit different from that to which the receiver is connected.
- Consult the dealer or an experienced radio/TV technician for help.

The set complies with the FCC-Rules, Part 15. Operation is subject to the following two conditions:

1. This device may not cause harmful interference, and
2. This device must accept any interference received, including interference that may cause undesired operation.

Disposal of your old product and batteries

Your product is designed and manufactured with high quality materials and components, which can be recycled and reused.

Never dispose of your product with other household waste. Please inform yourself about the local rules on the separate collection of electrical and electronic products and batteries. The correct disposal of these products helps prevent potentially negative consequences on the environment and human health.

Your product contains batteries, which cannot be disposed of with normal household waste. Please inform yourself about the local rules on separate collection of batteries. The correct disposal of batteries helps prevent potentially negative consequences on the environment and human health.

Please visit www.recycle.philips.com for additional information on a recycling center in your area.

Environmental information

All unnecessary packaging has been omitted. We have tried to make the packaging easy to separate into three materials: cardboard (box), polystyrene foam (buffer) and polyethylene (bags, protective foam sheet.)

Your system consists of materials which can be recycled and reused if disassembled by a specialized company. Please observe the local regulations regarding the disposal of packaging materials, exhausted batteries and old equipment.

Made for



iPod



iPhone

"Made for iPod" and "Made for iPhone" mean that an electronic accessory has been designed to connect specifically to iPod or iPhone respectively, and has been certified by the developer to meet Apple performance standards. Apple is not responsible for the

operation of this device or its compliance with safety and regulatory standards. Please note that the use of this accessory with iPod or iPhone may affect wireless performance.

iPod and iPhone are trademarks of Apple Inc., registered in the U.S. and other countries.



Note

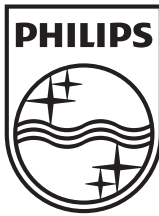
- The type plate is located on the bottom of the apparatus.

2012 © Koninklijke Philips Electronics N.V. All rights reserved.

Specifications are subject to change without notice. Trademarks are the property of Koninklijke Philips Electronics N.V. or their respective owners. Philips reserves the right to change products at any time without being obliged to adjust earlier supplies accordingly.

P&F USA Inc.
PO Box 2248
Alpharetta, GA 30023-2248
Phone 1 866 309 0845

Meet Philips at the Internet
<http://www.philips.com/welcome>



Specifications are subject to change without notice
© 2012 Koninklijke Philips Electronics N.V.
All rights reserved.

AJ7030DG_37_UM_V2.0

