

# Quick Start Guide



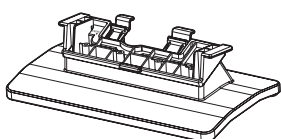
Step A **Install**

Step B **Prepare**

Step C **Enjoy**

## What's in the Box?

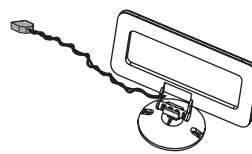
You should find these items upon opening the box.



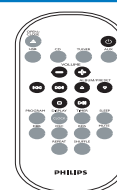
Stand



FM wire antenna



MW antenna



Remote control with  
1 x CR2025 battery



Mounting kit  
(1x template, 2 x screws)



Quick start guide

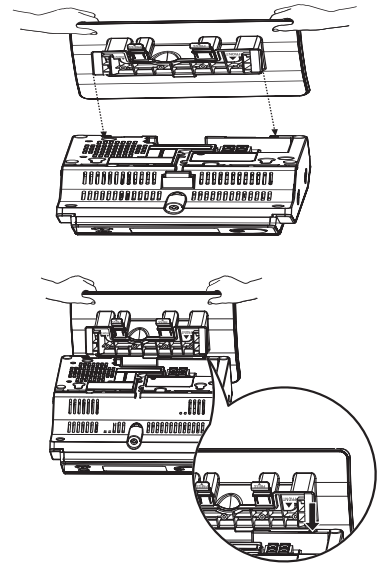


User manual

# Step A *Install*

## Mounting stand onto the set

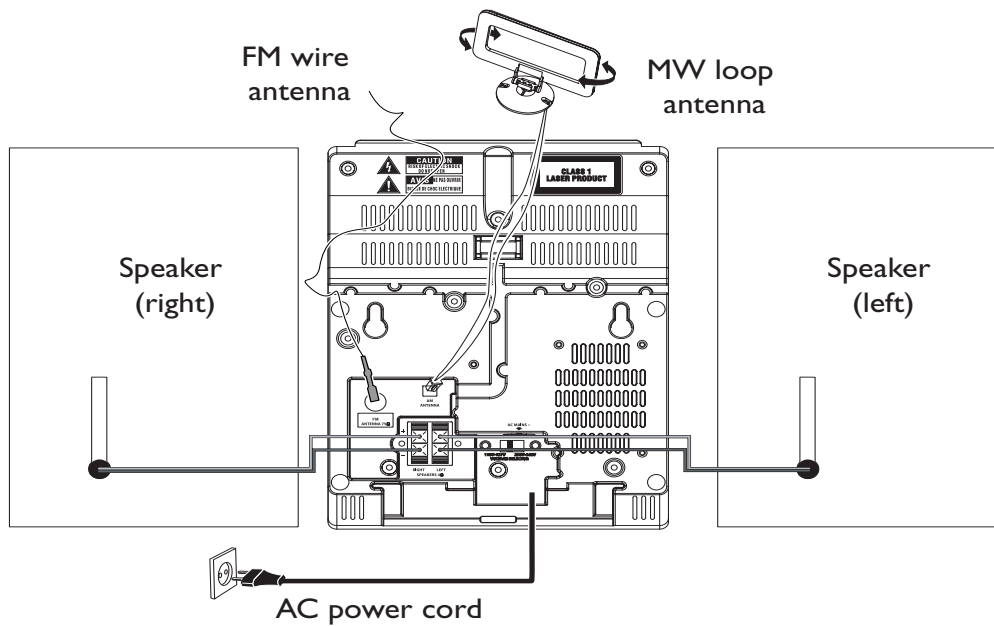
- 1 Put MCM275 on a flat and firm surface, rear side facing up
- 2 As shown, align the stand to the slots at set's bottom, ▼ **FRONT** facing down
- 3 Push the stand down into the slots



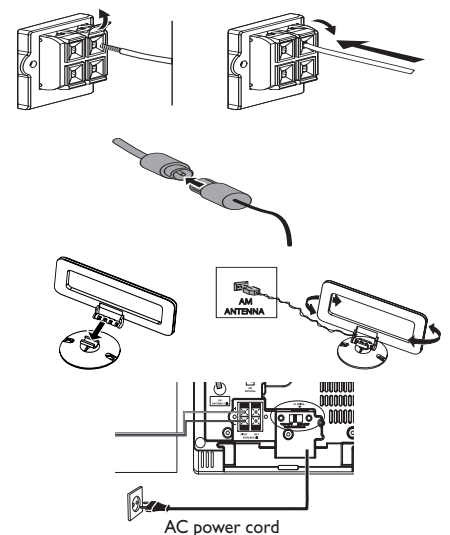
### Helpful hints:

- For wall mounting, please refer to the **User Manual, Appendix: How to mount your MCM275 onto Walls**. You may need assistance from the qualified service personnel.

## Rear connections



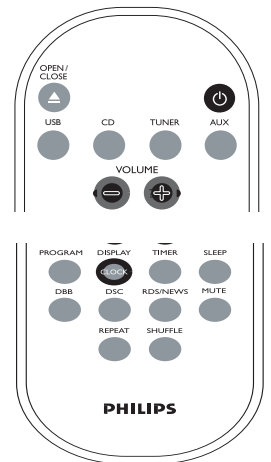
- 1 Connect the cable of the left speaker to **LEFT** (red and black) and the cable of the right speaker to **RIGHT** (red and black)
- 2 Extend the wire antenna and fit it to **FM ANTENNA**
- 3
  - a. Assemble the loop antenna
  - b. Fit the plug of the loop antenna to **AM ANTENNA**
- 4
  - a. If your system is equipped with a Voltage Selector, set the **VOLTAGE SELECTOR** to the local power line voltage
  - b. Connect the AC power cord to the wall socket



## Step B Prepare

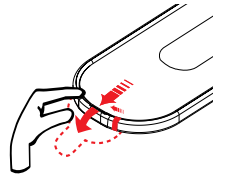
### Setting the clock

- 1 In the standby mode, press and hold **DISPLAY/CLOCK** on the remote control  
→ 24 HR or 12 HR appears for the initial clock setting. **To select 12-hour clock or 24-hour clock,**
  - a. Press **VOLUME +/-** once or more
  - b. Press **DISPLAY/CLOCK** to confirm  
→ The hours digits start flashing
- 2 Hold down or press **VOLUME +/-** repeatedly to set the hours
- 3 Press **DISPLAY/CLOCK** to confirm
- 4 Hold down or press **VOLUME +/-** repeatedly to set the minutes
- 5 Press **DISPLAY/CLOCK** to confirm



#### IMPORTANT!

– Remove the protective plastic tab before using the remote control



#### Notes for remote control:

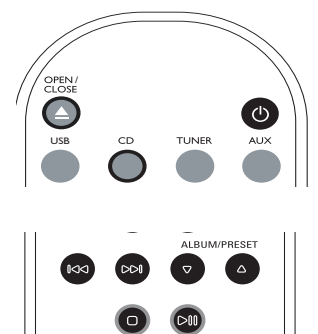
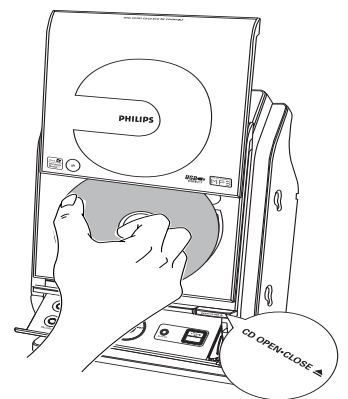
- First, select the source you wish to control by pressing one of the source select keys on the remote control (DISC or TUNER, for example).
- Then select the desired function (▶||, ◀◀, ▶▶ for example).

## Step C Enjoy

### Playing discs

With this system, you can play all pre-recorded audio CDs (CDDA), all finalized audio CD-Rs and CD-RWs, MP3/WMA-CDs (CD-Rs/CD-RWs with MP3/WMA files)

- 1 Press **SOURCE** once or more to select **CD** (or **CD** on the remote control)
- 2 Press **CD OPEN•CLOSE ▲** to open the CD compartment
- 3 Insert a disc with the printed side facing up. Press **CD OPEN•CLOSE ▲** again to close the compartment
- 4 Press ▶ || to start playback
- 5 To stop playback, press **STOP ■**



## Tuning to radio stations

1

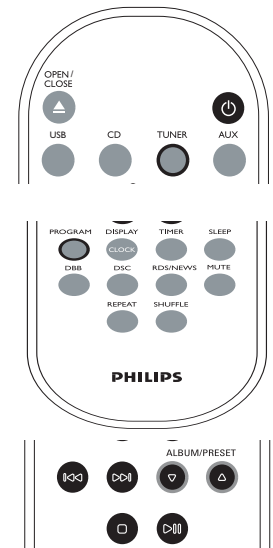
Press **SOURCE** once or more to select **TUNER** (or **TUNER** on the remote control)

2

Press and hold **PROGRAM** until **AUTO** appears  
→ **P** flashes. Available stations are programmed: FM stations followed by MW stations

3

Press the **ALBUM/ PRESET** buttons once or more until the desired preset station is displayed




## Playing a USB mass storage device

With the Hi-Fi system, you can use USB flash memory (USB 2.0 or USB1.1), USB flash players (USB 2.0 or USB1.1), memory cards (requires an additional card reader to work with this Hi-Fi system).

1

Check you have unfolded the control panel

2

Insert the USB device's USB plug into the socket  on the set's foldable control panel

3

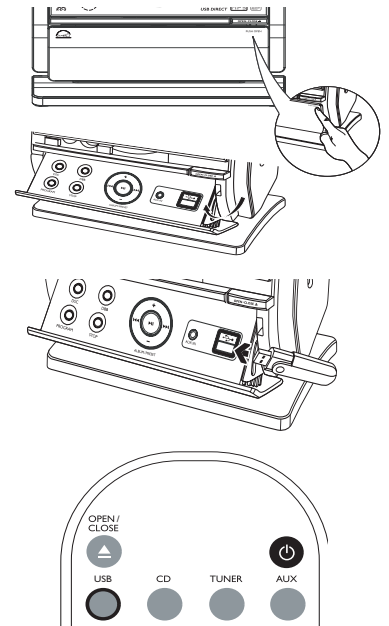
Press **SOURCE** once or more to select **USB** (or **USB** on the remote control)

4

Play the USB's audio files as you do with the albums/tracks on a CD

5

Press **STANDBY-ON**  to switch off the set



Detailed playback features and additional functions are described in the accompanied owner's manual.

