

**PHILIPS**

5.1 Speakers

SPA5161F



User manual

Register your product and get support at  
[www.philips.com/welcome](http://www.philips.com/welcome)

# General information

---

## Safety instructions

Please read carefully the safety mark on the back side



This mark is intended to alert the user from the non isolated dangerous voltage within the product that may be of sufficient magnitude to constitute a risk of electric shock to persons.



This mark is intended to alert the user for important operating and servicing instruction.

## Warnings

- Avoid sustained periods on high-volume use, and do not turn the volume to maximum level while using high output signal, such as Mobile Phone or DVD, etc., as this will cause distortion and may damage the loudspeaker cones.
- Please switch off the system from the wall socket, when not in use.
- Do not open the cover or back panel to avoid electrical shock or any other accidents. No user-serviceable parts are inside.
- Only for indoor use.
- Plug the system to the AC outlet with the right voltage marked on the back panel of the Subwoofer.
- The MAINS plug is used as the disconnect device, the disconnect device shall remain readily operable.

## Accessories

---

- The product shall not be exposed to dripping or splashing and that no objects filled with liquids, such as vases, shall be placed on the product.
- Batteries shall not be exposed to excessive heat such as sunshine, fire or the like.
- Attention should be drawn to the environmental aspects of battery disposal.

## Care and safety information

### Avoid high temperatures, moisture, water and dust

- Apparatus should not be exposed to dripping or splashing of liquid.
- Do not place any source of danger on the Subwoofer, and satellite (e.g. liquid filled objects lighted candles).
- Do not install near heat sources.

### Do not block any ventilation opening

- Place the apparatus in a location with adequate ventilation to prevent internal heat build up. Allow at least 100cm (4 inches) of free space all around the apparatus for adequate ventilation.
- At high volume the back cover of Subwoofer becomes hot. Do not touch it.

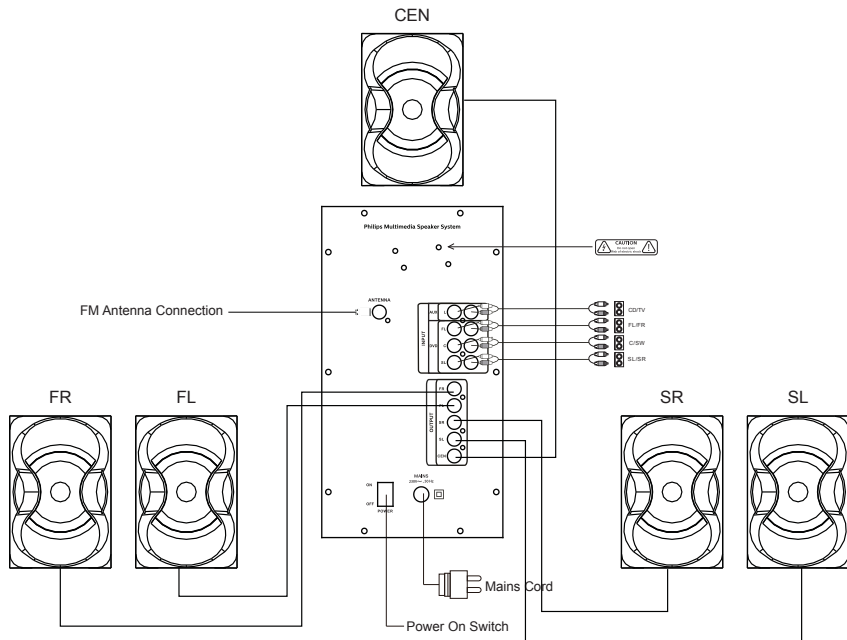
### Care of the cabinet

- Use a soft cloth slightly moistened to clean the cabinet. Do not use a solution containing alcohol, spirits, ammonia or abrasives.

Item	2RCA to 2RCA cable	Remote control	User manual	FM Antenna cable
Quantity	1	1	1	1

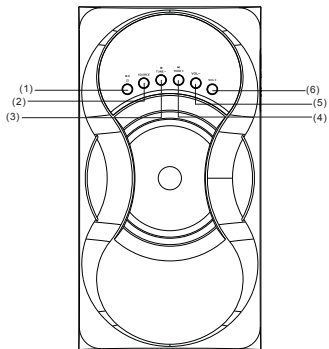
# Connections

## Back panel



# Front panel operation

---

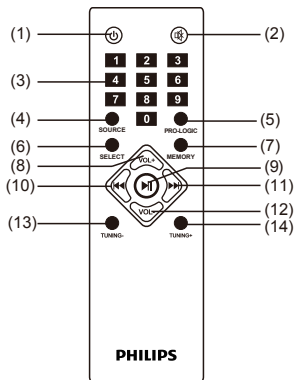


- 1. : POWER
- 2. SOURCE
- 3. : TUNE-
- 4. : TUNE+
- 5. VOL-
- 6. VOL+

1. :  
Press to turn on speaker, long press into stand-by.  
PLAY/PAUSE on the USB/SD mode.
2. SOURCE:  
Change the input mode-AUX for AUX, DVD for DVD,  
USB for USB, SD for SD, 87.5 for FM.
3. :  
TUNE-:  
Press once to reduce the FM frequency 0.1M,  
long press to the semi-automatic search for radio.  
In USB/SD mode, press “” play previous song.
4. :  
TUNE+:  
Press once to increase the FM frequency 0.1M,  
long press to the semi-automatic search for radio.  
In USB/SD mode, press “” play next song.
5. VOL-:  
Volume down.
6. VOL+:  
Volume up.

\* AVAILABLE IF CONNECTED

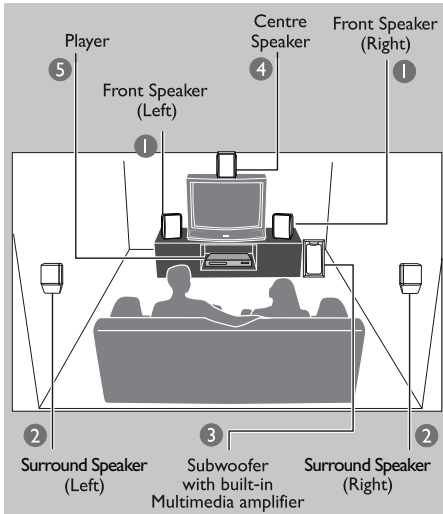
# Remote controls



- |             |              |
|-------------|--------------|
| 1. ST-BY    | 8.VOL+       |
| 2.MUTE      | 9.PLAY/PAUSE |
| 3.0~9       | 10.PREVIOUS  |
| 4.SOURCE    | 11.NEXT      |
| 5.PRO-LOGIC | 12.VOL-      |
| 6.SELECT    | 13.TUNING-   |
| 7.MEMORY    | 14.TUNING+   |

1. :Power or standby modes.
- 2.Mute:Turn volume off.Press again to activate sound.
- 3.By pressing the number“0-9” on the remote control you can choose the corresponding song or corresponding FM channel.
- 4.SOURCE:Change the input AUX/DVD, USB/FM mode.
- 5.PRO-LOGIC:Enable or disable the function of the PRO-LOGIC.
- 6.SELECT: Press”SELECT” key can switch to different channels [F(front speakers) / S(surround speakers) / C(Centre speaker) / b(subwoofer)]. At the same time, press”VOL+/-” to increase or decrease every channel’s volume. The number of numeral tube will change accordingly.
- 7.MEMORY:Press MEMORY one time at FM mode to save channel one by one. Press MEMORY long time to search and save channel automatically.
- 8.Press VOL+ to increase Volume.
- 9.Pressing“ ”plays/pauses songs alternately.in FM mode, long press“ ”,it will enter into automatic search channel and automatic save channel.
- 10.Pressing“ ”takes you to previous song.
- 11.Pressing“ ”takes you to next song.
- 12.Press Vol- to decrease Volume.
- 13.Press“TUNING-”each time to search channel step by step(each step(-) 0.1 MHz),Press“TUNING-”long time to search previous channel,and play the channel automatically.
- 14.Press“TUNING+”each time to search channel step by step(each step 0.1 MHz),Press“TUNING+”long time to search next channel, and play the channel automatically.

# Playing the speakers and subwoofer



## System positioning :

The subwoofer is recommended to be put on the floor to get a better acoustic effect.

For best possible surround sound, all the speakers (except subwoofer) should be placed at the same distance from the listening position.

Place the front left and right speakers at equal distances from the TV and at an angle of approximately 45 degrees (horizontal) from the listening position.

Place the centre speaker above the TV so that the centre channel's sound is localised.

Place the surround speakers at normal listening, ear level facing each other or mounted on the wall.

## Helpful Hints:

- To avoid magnetic interference, do not position the speakers, too close to your TV.

# Troubleshooting

---

## Warning -

Under no circumstances should you try to repair the system yourself, as this will invalidate the warranty. Do not open the system as there is a risk of electric shock. If a fault occurs, first check the points listed below before taking the system for repair. If you are unable to remedy the problem by following hints mentioned in below table, Consult your dealer or PHILIPS APSC for help.

<b>Problem</b>	<b>Solution</b>
1. No power.	Check if the AC power cord is properly inserted into the AC mains socket.
2. No sound or distorted sound.	Adjust the volume / select the correct source to choose the equipment that you want to hear through the system.
3. The remote control does not function properly.	Reduce the distance between the remote control and the system. Replace the batteries with new ones / Point the remote control directly towards the IR sensor (located on front panel of the subwoofer) / Check that the batteries are loaded correctly / Switch off the system for 30 seconds and then restart.
4. Low hum or buzz sound.	Place the product as far away as possible from electrical devices that may be causing interference / Check power supply voltage and consult electrician.
5. The content of the USB / SD flash drive can not be read.	The USB / SD flash drive format is not compatible with the system. Drive is formatted with a different file system which is not supported by this unit (e.g. NTFS).
6. Slow operation of the USB / SD flash drive / can not detect USB / SD flash drive.	Large file size of high memory USB / SD flash drive takes longer time to read and play. / Take out USB / SD drive and insert it again properly.
7. FM not properly tuned.	Match with local frequency.
8. FM reception not good.	While listening radio turn off TV / DVD or other radiation source.

In case these measures do not work contact the nearest PHILIPS service center or call at customer care numbers.

# Warranty

---

This Philips 5.1 multimedia speakers system is warranted against any defect due to defective materials or workmanship for 12 months from the date of purchase, should a defect develop during the period of warranty, **Gibson Innovations India Private Limited** undertake to repair the apparatus FREE OF CHARGE through the dealer from whom it has been purchased or at any of the Philips Authorised Service Centres.

**The warranty is not valid in case :**

1. Proof of purchase is not accompanied with this warranty card.
2. The warranty card is not completed immediately after purchase.
3. The apparatus is not used according to this manual.
4. Defects are caused by improper or reckless use.
5. Any repairs are done by persons other than Philips Authorised service centre.
6. Any modifications or alteration of any nature are made in the apparatus.
7. The serial number is tampered with.
8. Defects due to causes beyond control like lightning, abnormal voltage, acts of God or while in transit to the purchaser's residence.

All consumables and parts susceptible to normal wear and tear are not covered under warranty.

Week/S.No.: \_\_\_\_\_ Bill No. \_\_\_\_\_

Date of purchase \_\_\_\_\_

Dealer's name: \_\_\_\_\_

Dealers stamp: \_\_\_\_\_

Customer's name and address: \_\_\_\_\_

Model No.: \_\_\_\_\_

Dealer's signature: \_\_\_\_\_



# Product specifications\*

Total system power	65W RMS
Satellite	8Wx5 RMS
Subwoofer power	25W RMS
Separation	>40 dB
SNR	>60 dB
Audio input socket	RCA
Audio output socket	RCA
Power consumption	90W
Subwoofer speaker	1 Way
Speaker size	5.25 inch
Impedance	8 Ohm
Frequency range	20Hz - 2KHz
Dimension (mm) W x H x D	170 x 324 x 331
Net Weight	4.83 Kg

Satellite speaker	1 Way, 5 Speakers
Speaker size	3 inch
Impedance	4 Ohm
Frequency range	120Hz - 20KHz
Dimension (mm) W x H x D	90 x 135 x 99
Net Weight(Satellite)	2 Kg
USB	
Class support	UMS (USB mass storage class)
Capacity	Upto 16GB
Playability	MP3 track

\*Specification subject to change without prior notice.  
Measured under specific conditions.

The Philips trademark and Philips shield emblem are registered trademarks of koninklijke Philips N.V. used under license.

This product has been manufactured by and sold under the responsibility of Gibson Innovation India Private Ltd. and Gibson Innovations India private Ltd. is the warrantor in relation to this product.



Question?  
Contact  
Philips

Always there to help you

Visit us at [www.india.philips.com](http://www.india.philips.com)  
Contact at: 1860 180 1111, 1800 102 2929  
Or [customercare.india@philips.com](mailto:customercare.india@philips.com)