

Mini HiFi System

FWM75

User manual
Manuel d'utilisation
Manual del usuario
Benutzerhandücher
Gebruikershandleidingen
Manuale per l'utente
Användarhandböckerna
Brugermanual
Käyttöoppaita
Manual do usuário
εγχειρίδιο χρήσης



PHILIPS

Important notes for users in the U.K.

Mains plug

This apparatus is fitted with an approved 13 Amp plug. To change a fuse in this type of plug proceed as follows:

- 1 Remove fuse cover and fuse.
- 2 Fix new fuse which should be a BS1362 5 Amp, A.S.T.A. or BSI approved type.
- 3 Refit the fuse cover.

If the fitted plug is not suitable for your socket outlets, it should be cut off and an appropriate plug fitted in its place.

If the mains plug contains a fuse, this should have a value of 5 Amp. If a plug without a fuse is used, the fuse at the distribution board should not be greater than 5 Amp.

Note: The severed plug must be disposed of to avoid a possible shock hazard should it be inserted into a 13 Amp socket elsewhere.

How to connect a plug

The wires in the mains lead are coloured with the following code: blue = neutral (N), brown = live (L).

- As these colours may not correspond with the colour markings identifying the terminals in your plug, proceed as follows:
 - Connect the blue wire to the terminal marked N or coloured black.
 - Connect the brown wire to the terminal marked L or coloured red.
 - Do not connect either wire to the earth terminal in the plug, marked E (or \perp) or coloured green (or green and yellow).

Before replacing the plug cover, make certain that the cord grip is clamped over the sheath of the lead - not simply over the two wires.

Copyright in the U.K.

Recording and playback of material may require consent. See Copyright Act 1956 and The Performer's Protection Acts 1958 to 1972.

Italia

DICHIARAZIONE DI CONFORMITA'

Si dichiara che l'apparecchio FWM75, Philips risponde alle prescrizioni dell'art. 2 comma 1 del D.M. 28 Agosto 1995 n. 548.

Fatto a Eindhoven

Philips Consumer Electronics
Philips, Glaslaan 2
5616 JB Eindhoven, The Netherlands

Norge

Typeskilt finnes på apparatens underside.

Observer: Nettbryteren er sekundert innkopleet. Den innebygde nettdelen er derfor ikke frakopleet nettet så lenge apparatet er tilsluttet nettkontaktken.

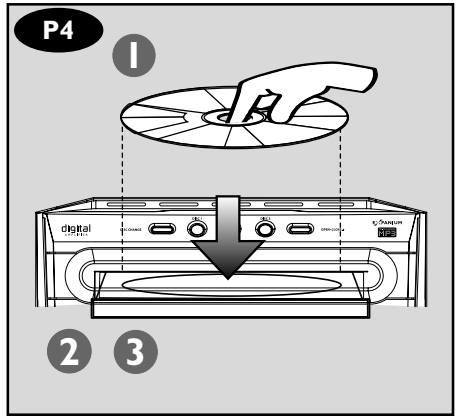
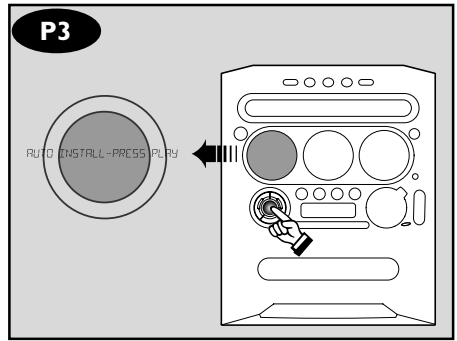
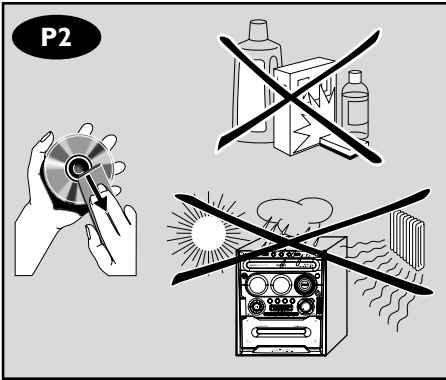
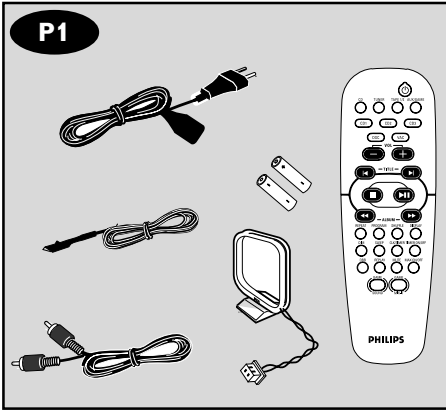
For å redusere faren for brann eller elektrisk støt, skal apparatet ikke utsettes for regn eller fuktighet.

CAUTION

Use of controls or adjustment or performance of procedures other than herein may result in hazardous radiation exposure or other unsafe operation.

VAROITUS

Muiden kuin tässä esitettyjen toimintojen säädön tai asetusten muutto saattaa altistaa vaaralliselle säteilylle tai muille vaarallisille toiminnoille.



DK

Advarsel: Usynlig laserstråling ved åbning når sikkerhedsafbrydere er ude af funktion. Undgå udsættelse for stråling.

Bemærk: Netafbryderen er sekundært indkoblet og afbryder ikke strømmen fra nettet. Den indbyggede netdel er derfor tilsluttet til lysnettet så længe netstikket sidder i stikkontakten.

S

Klass 1 laserapparat

Varning! Om apparaten används på annat sätt än i denna bruksanvisning specificerats, kan användaren utsättas för osynlig laserstrålning, som överskrider gränsen för laserklass 1.

Observera! Stömbrytaren är sekundärt kopplad och bryter inte strömmen från nätet. Den inbyggda nätdelen är därför ansluten till elnätet så länge stickproppen sitter i vägguttaget.

SF

Luokan 1 laserlaite

Varoitus! Laitteen käyttäminen muulla kuin tässä käyttöohjeessa mainitulla tavalla saattaa altistaa käyttäjän turvallisuusluokan 1 ylittävälle näkymättömälle lasersäteilylle.

Oikeus muutoksiin varataan. Laite ei saa olla alttiina tippu- ja roiskevedelle.

Huom. Toiminnanvalitsin on kytketty toisiopuolelle, eikä se kytke laitetta irti sähköverkosta. Sisäänrakennettu verkko-osa on kytkettynä sähköverkkoon aina silloin, kun pistoke on pistorasiasassa.

Energy Star

As an ENERGY STAR®

Partner, Philips has

determined that this product

meets the ENERGY STAR® guidelines for

energy efficiency.



English	6
Français	28
Español	50
Deutsch	72
Nederlands	94
Italiano	116
Svenska	138
Dansk	160
Suomi	182
Português	204
Ελληνικά	226

English

Français

Español

Deutsch

Nederlands

Italiano

Svenska

Dansk

Suomi

Português

Ελληνικά

General Information

Supplied accessories	7
Environmental information	7
Care and safety information	7

Functional Overview

Main unit and remote control	8~9
Control buttons available on the remote control only	9

Connections

Step 1: Connecting FM/MW antennas	11
Step 2: Connecting the speakers	11
Step 3: Connecting to the game console	11
Step 4: Connecting the AC power cord	11
Step 5: Inserting batteries into the remote control	12
Using the remote control to operate the system	12

Gameport Operations

About Gameport	13
Preparation before use	13
Starting operation	13

Basic Operations

Switching on/off	14
Switching to active mode	14
Switching to standby mode (view clock) ...	14
Demonstration mode	14
Setting the clock	14
Dimming system's display screen	15
Volume control	15
Sound control	15
wOOx	15
Digital sound control	15
Virtual ambience control	15
Incredible Surround	15

Disc Operations

Playable discs	16
Loading discs	16
Basic playback controls	16
Playing an MP3/WMA disc	17
Repeat and shuffle	17
Repeat play	17
Random play	17
Programming the disc tracks	18
Checking the programme	18
Clearing the programme	18

Tuner Operations

Tuning to radio stations	19
Presetting radio stations	19
Using the plug and play	19
Automatic presetting	19
Manual presetting	19
Selecting a preset radio station	20
Deleting a preset radio station	20
RDS	20
Scrolling through RDS information	20
Setting the RDS clock	20
NEWS	21
Switching on NEWS function	21

Tape Operation/Recording

Tape playback	22
General information on recording	22
Preparation for recording	23
Disc synchro recording	23
Dubbing tapes	23

Timer Operations

Setting the timer	24
Activating/Deactivating the timer	24
Setting the sleep timer	25

Other Connection

Listening to an external source	25
---------------------------------------	----

Specifications

Troubleshooting

This product complies with the radio interference requirements of the European Community.

Refer to the type plate on the rear of the system for identification and supply ratings.

For users in the U.K.: please follow the instructions on page 2.

Supplied accessories (page 3 – P1)

- Remote control and two AA batteries.
- MW loop antenna
- FM wire antenna
- Video cinch cable (yellow)
- AC power cord

Environmental information

All unnecessary packaging has been omitted. We have tried to make the packaging easy to separate into three materials: cardboard (box), polystyrene foam (buffer) and polyethylene (bags, protective foam sheet).

Your system consists of materials which can be recycled and reused if disassembled by a specialised company. Please observe the local regulations regarding the disposal of packaging materials, exhausted batteries and old equipment.

Care and safety information

(page 3 – P2)

Avoid high temperature, moisture, water and dust

- Do not expose the system, batteries or discs to humidity, rain, sand or excessive heat (caused by heating equipment or direct sunlight). Always keep the disc tray closed to avoid dust on the lens.
- No objects filled with liquids, such as vases, shall be placed on the apparatus.
- No naked flame sources, such as lighted candles, should be placed on the apparatus.

Avoid condensation problem

- The lens may cloud over when the system is suddenly moved from cold to warm surroundings, making it impossible to play a disc. Leave the system in the warm environment until the moisture evaporates.

Do not block the vents

- In a cabinet, allows about 10cm (4 inches) of free space all around the system for adequate ventilation.

Care of discs

- To clean a CD, wipe it in a straight line from the centre towards the edge using a soft, lint-free cloth. A cleaning agent may damage the disc!
- Write only on the printed side of a CDR(W) and only with a soft felt-tipped pen.
- Handle the disc by its edge, do not touch the surface.

Care of the cabinet

- Use soft cloth slightly moistened with a mild detergent solution. Do not use a solution containing alcohol, spirits, ammonia or abrasives.

Finding a suitable location

- Place the system on a flat, hard, and stable surface.

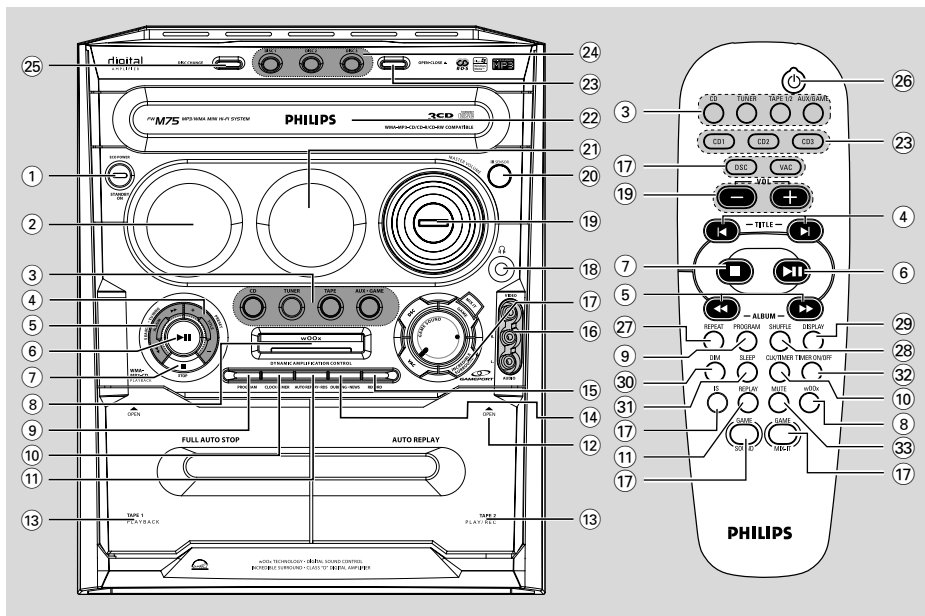
Built-in safety circuit

- Under extreme conditions, this system may switch to the standby mode automatically. If this happens, let the system cool down before reusing it.

Power saving

- This system is designed to use less than 1W of electricity when switched to the standby mode. Disconnect the AC power cord from the power outlet when not in use.

Functional Overview



Main unit and remote control

① **STANDBY ON** (⏻) / **ECO POWER**

- Switches to the Eco Power standby mode or turns on the system.
- *Switches to the standby mode.

② **Display screen**

③ **CD / TUNER / TAPE(TAPE1/2) / AUX•GAME**

- Selects the relevant active mode.
- **CD**: toggles between DISC 1~3.
- **TUNER**: toggles between FM and MW band.
- **AUX•GAME**: toggles between AUX and GAMEPORT mode.
- **TAPE**: toggles between Tape Deck 1 and Tape Deck 2.

④ **PRESET** (←) (⏪) **PRESET** (+) (⏩)

- **CD**: selects a track or selects a title from MP3/WMA disc.
- **TUNER**: selects a preset radio station.
- **CLOCK**: sets the minutes.

⑤ **SEARCH•TUNING•ALBUM** (⏮) (⏭) (⏮) (⏭)

- **CD**: *searches backward/forward.
- **MP3/WMA-CD**: select an album
- **TUNER**: tunes the radio frequency up/down.
- **CLOCK**: sets the hours.
- **TAPE**: searches backward/forward.

⑥ **PLAY•PAUSE** (▶) (⏸)

- **CD**: starts/pauses playback.
- **TAPE**: starts playback.

(only on the main unit)

- **TUNER**: *enters Plug & Play mode and/or starts preset radio station installation.

⑦ **STOP** (■)

- Exits an operation.
- **CD**: stops playback or clears a programme.
- **TUNER**: *erases a preset radio station.

(only on the main unit)

- *Turns on/off the demonstration mode.

⑧ **wOOx**

- Selects the enhanced or normal wOOx sound effect.

⑨ **PROGRAM**

- **CD**: starts or confirms tracks programming.
- **TUNER**: starts *automatic/manual preset

* = Press and hold the button for more than two seconds.

10 CLOCK•TIMER (CLK/TIMER)

- *Enters clock or timer setting mode.

11 AUTO REPLAY•RDS

- Selects continuous playback in either AUTO PLAY or ONCE mode only.
- Selects RDS information in the TUNER mode.

12 OPEN ▲

- Opens the tape deck

13 TAPE1 / TAPE2

- Tape deck 1 and tape deck 2.

14 DUBBING•NEWS

- Dubs a tape
- *Turns on/off news.

15 RECORD●

- Starts recording on tape deck 2

16 VIDEO

- Use a video cable to connect to your game console's video output.

AUDIO L. / AUDIO R.

- Use an audio cable to connect to your game console's left/right audio output.

17 INCREDIBLE SURROUND

- Creates a super-enhanced stereo effect.

DSC

- Selects different type of preset sound equaliser settings (NEW AGE, ELECTRIC, DIGITAL, POP, CLASSIC or ROCK.).

VAC

- Selects different type of ambience-based equaliser settings (CINEMA, ARCADE, CONCERT, DISCO, CYBER or HALL).

MIX IT (GAME MIX IT)

- Mixes the game sound with your favourite music from one of these music sources (CD, TUNER, AUX, or TAPE).

GAME SOUND

- Adjusts the game's output volume level.
- Selects different type of equaliser setting for Gameport (SPEED, PUNCH or BLAST).

18 

- Plugs in the headphones jack. The speakers output will be cancelled.

19 MASTER VOLUME (VOL + -)

- Adjusts the volume level.

20 IR SENSOR

- Points the remote control towards this sensor.

21 VU meters

- Indicates signal strength of left/right channel.

22 DISC TRAY

23 OPEN•CLOSE ▲ (DISC 1~3)

- Opens/closes the respective disc tray.

24 DISC 1, 2 and 3

- Selects a disc tray to playback

25 DISC CHANGE

- Changes discs

Control buttons available on the remote control only

26 

- Switches to the Eco Power standby mode.
- *Switches to the standby mode.

27 REPEAT

- Repeats a track/disc/all programmed tracks.

28 SHUFFLE

- Turns on/off the random play mode.

29 DISPLAY

- Displays the album and title name for MP3/WMA disc.

30 DIM

- Turns on/off the dim mode.

31 SLEEP

- Sets the sleep timer function.

32 TIMER ON/OFF

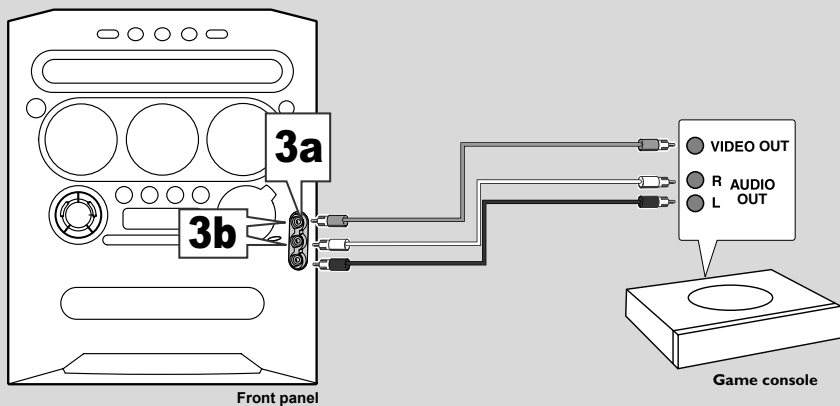
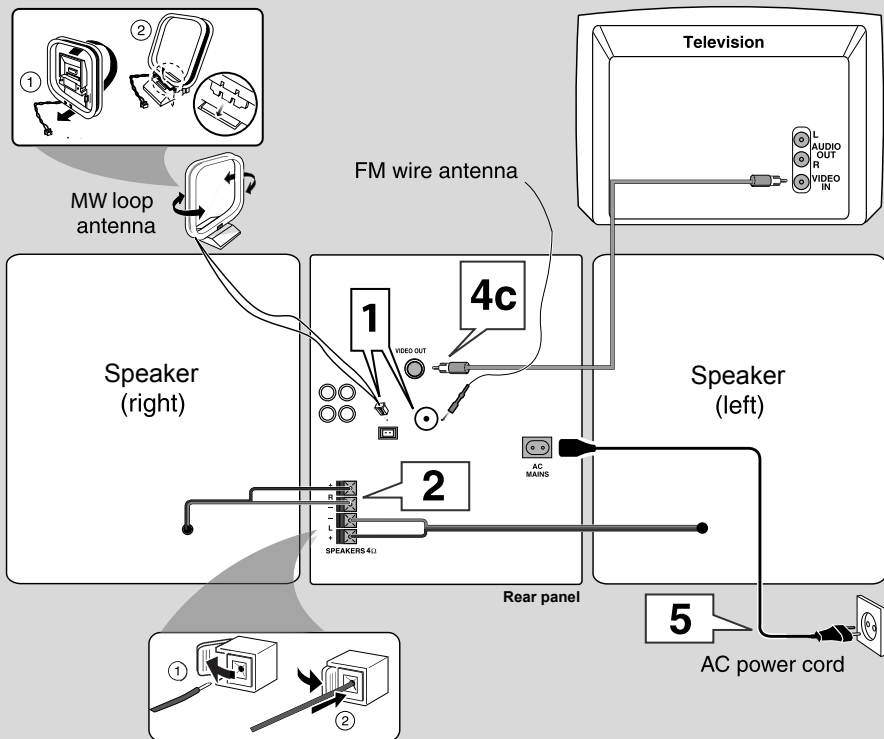
- Turns on/off the timer function.

33 MUTE

- Mutes or restores the volume

Connections

English



Warning!

- Use only the supplied speakers. The combination of the main unit and speakers provides the best sound. Using other speakers can damage the unit and sound quality will be negatively affected.
- Never make or change connections with the power switched on.
- Connect the AC power cord to the power outlet only after you have finished hooking up everything.
- To avoid overheating of the system, a safety circuit has been built in. Therefore, your system may switch to Standby mode automatically under extreme conditions. If this happens, let the system cool down before reusing it (not available for all versions).

Step 1: Connecting FM/MW antennas

- Place the MW loop antenna on a shelf or attach it to a stand or wall.
- Extend the FM antenna and fix its ends to the wall.
- Adjust the position of the antennas for optimal reception.
- Position the antennas as far as possible from a TV, VCR or other radiation source to prevent unwanted noise.
- For better FM stereo reception, connect the external FM antenna.

Refer to page 10.

Step 2: Connecting the speakers

Connect the speaker wires to the SPEAKERS terminals, right speaker to "R" and left speaker to "L", coloured (marked) wire to "+" and black (unmarked) wire to "–". Fully insert the stripped portion of the speaker wire into the terminal as shown on page 10.

Notes:

- Ensure that the speaker cables are correctly connected. Improper connections may damage the system due to short-circuit.
- Do not connect more than one speaker to any one pair of +/- speaker terminals.

Step 3: Connecting to the game console

IMPORTANT!

Gameport inputs are for the game console only.

- a. Use the game console's video cable (not supplied) to connect its video output to the GAMEPORT-VIDEO terminal.
- b. Use the game console's audio cables (not supplied) to connect its audio outputs to the GAMEPORT-AUDIO L. / AUDIO R. terminals.
- c. Use the video cable (yellow) to connect the VIDEO OUT terminal to the video input on the TV for viewing.

Notes:

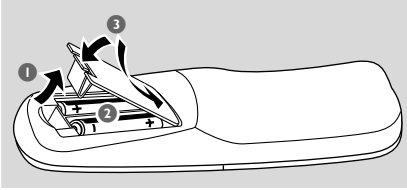
- On the TV, the Video Input jack is usually yellow and might be labeled A/V In, CVBS, Composite or Baseband.
- To avoid magnetic interference, do not position the front speakers too close to your TV.

Step 4: Connecting the AC power cord

"AUTO INSTALL - PRESS PLAY" may appear on the display panel when the AC power cord is plugged into the power outlet for the first time. Press ►|| on the main unit to store all available radio stations (page 3 - P3) or press ■ to exit (refer to "Tuner Operations").

Connections

Step 5: Inserting batteries into the remote control



- 1 Open the battery compartment cover.
- 2 Insert two batteries type R06 or AA, following the indications (+ / -) inside the compartment.
- 3 Close the cover.

Using the remote control to operate the system

- 1 Aim the remote control directly at the remote sensor (IR) on the main unit.
- 2 Select the source you wish to control by pressing one of the source select keys on the remote control (for example CD, TUNER).
- 3 Then select the desired function (for example ► II, ◀, ▶).

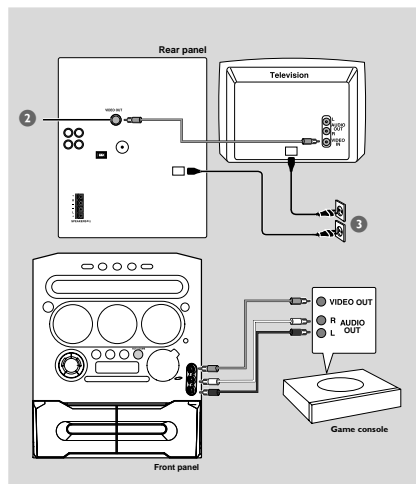
CAUTION!

- Remove batteries if they are exhausted or will not be used for a long time.
- Do not use old and new or different types of batteries in combination.
- Batteries contain chemical substances, so they should be disposed of properly.

About Gameport

Gameport allows you to connect your game console to this audio system which enables you to enjoy a total game immersion experience through powerful sound output.

Preparation before use



- 1 Connect your game console's video and audio output to the GAMEPORT video and audio inputs respectively (refer to "Connections - Connecting to game console").
- 2 Connect your TV's video input to the **VIDEO OUT (CVBS)** on the rear panel.
- 3 Connect all the AC power cord to the power outlet.

Starting operation

- 4 Turn on the TV and set to the correct video-in channel.
The TV's video input channel may be called AUX(iliary) IN, AUDIO/VIDEO (AV) IN, EXT 1, etc. These channels are often near channel 00 on your TV. Or, your TV remote control may have a button or switch that chooses different video modes. See your TV manual for details.

- 5 Press **AUX•GAME** until "GAMEPORT" is display.
- 6 Press **GAME** to select the type of sound setting that best suit the game : **SPEED, PUNCH, BLAST** or **OFF**.
- 7 If you like to mix your game sound to your favourite music, press **MIX-IT** to select the desired music source : **CD, TUNER, AUX, TAPE** or **OFF**.
 CD → "MIX-CD"
 TUNER → "MIX-TU"
 AUX → "MIX-AUX"
 TAPE → "MIX-TA 1" / "MIX-TA2"
 OFF → "MIX-OFF"

Note:

– To change the disc tray, you have to press **CD**, then press **CD 1~3** to select the desired disc tray.

- 8 If necessary, start playback of your chosen mixer source.
- 9 Start playing your favourite game.

To adjust the game console's volume level

- Adjust **GAMEVOLUME**.

Notes:

- You can only activate **GAMEVOLUME** and **MIX-IT** while in the game source mode.
- If your game console is switched on, the video image will always appear on the TV even though you are not in the gameport mode.

Basic Operations

Switching on/off

Switching to active mode

- Press **CD, TUNER, TAPE** or **AUX/GAME**.

Switching to Eco Power standby mode

- Press **⏻**.
 - ECO POWER button lights up.
 - The display screen will go blank.

Switching to standby mode (view clock)

- Press and hold **⏻**.
 - The clock is displayed.
 - While in the standby mode, pressing **CLOCK•TIMER** button will switch the system to the Eco Power standby mode.

Note:

- Before switching the system to the Eco Power standby or standby mode, make sure the demonstration mode has been deactivated.

Demonstration mode

If the demonstration mode is active, whenever you switch the system to the standby mode, it will begin showing various features offered by the system.

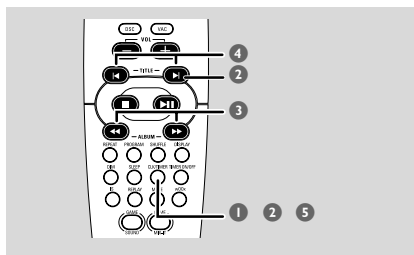
To activate the demonstration

In the standby mode, press and hold **■** on the main unit until "DEMO ON" is displayed.

To deactivate the demonstration

- Press and hold **■** on the main unit until "DEMO OFF" is displayed.

Setting the clock



- 1 Press and hold **CLK/TIMER** (or **CLOCK•TIMER** on main unit) until "SELECT CLOCK OR TIMER" is displayed.
- 2 Press **+** (or **▶** on the remote control) to change the display to "CLOCK" and press **CLK/TIMER (CLOCK•TIMER)** again to confirm.
- 3 Press **◀▶** or **◀▶** (or **◀▶ / ▶▶** on the remote control) repeatedly to set the hour.
- 4 Press **-** or **+** (or **◀▶** on the remote control) repeatedly to set the minute.
- 5 Press **CLK/TIMER (CLOCK•TIMER)** to store the setting.
 - The clock will start working.

To view the clock time in any active mode

- Press **CLK/TIMER (CLOCK•TIMER)** once.
 - The clock is displayed for a few seconds.

Notes:

- The clock setting will be erased when the system is disconnected from the power supply.
- The system will exit clock setting mode if no button is pressed within 90 seconds.
- To set the clock automatically through the time information in the RDS signal, refer to "Tuner Operations - Setting the RDS clock".

Dimming the system's display

You can select the desired brightness for the display panel.

- In any active mode, press **DIM** on the remote control repeatedly to turn on/off dim mode.
→ **DIM** is shown, except for DIM OFF mode.

Volume control

- Adjust **MASTER VOLUME** (or press **VOL + / -** on the remote) to increase or decrease the sound level.
→ "VOL MIN" is the minimum volume level and "VOL MAX" is the maximum volume level.

To switch off the volume temporarily

- Press **MUTE** on the remote.
→ Playback will continue without sound and "MUTE" is displayed.
→ To restore the volume, press MUTE again or increase the volume level.

Sound control

The wOOx sound, DSC and VAC sound features cannot be activated at the same time. While in the game mode, all the sound control features are not available for selection, except Game Sound control.

wOOx sound

There are three wOOx settings to enhance the bass response.

- Press **wOOx ON-OFF** to switch ON (enhanced) or OFF (normal) the wOOx sound effect.
→ When wOOx is switched on, wOOx level will appear on the display: wOOx1, wOOx2, wOOx3, wOOx OFF.
→ When wOOx is switched off, "wOOx OFF" is displayed and wOOx icon will disappear from the display.

Note:

– Some discs or tapes might be recorded in high modulation, which causes a distortion at high volume. If this occurs, deactivate wOOx or reduce the volume.

Digital sound control

DSC provides a different type of preset sound equaliser setting.

- Press **DSC** repeatedly to select : **NEW AGE, ELECTRIC, DIGITAL, POP, CLASSIC** or **ROCK**.

Virtual ambience control

VAC provides a different type of environment-based equaliser setting.

- Press **VAC** repeatedly to select : **CINEMA, ARCADE, CONCERT, DISCO, CYBER** or **HALL**.

Incredible Surround

The Incredible Surround magnifies the virtual distance between the front speakers for an incredibly wide, enveloping, stereo effect.

- Press **IS** (on the remote control) repeatedly.
→ If activated, **IS ON** is shown and "INCREDIBLE SURROUND" is displayed.
→ If deactivated, "IS OFF" is displayed.

IMPORTANT!

- This system is designed for regular discs. Therefore, do not use any accessories such as disc stabiliser rings or disc treatment sheets, etc., as offered on the market, because they may jam the changer mechanism.
- Do not load more than one disc onto each tray.

Playable discs

This system is able to play:

- All pre-recorded audio CDs
- All finalised audio CDR and audio CDRW discs
- MP3-CDs (CD-ROMs with MP3 tracks)
- WMA-CDs (CD-ROMs with WMA tracks)



Loading discs (page 3 - P4)

- 1 Press **OPEN•CLOSE ▲** on the main unit to open the disc trays.
- 2 Load a disc with the label side facing up.
- 3 Press **OPEN•CLOSE ▲** again to close the disc tray.
→ "READING" is displayed. The selected disc tray, total number of tracks and the playing time will appear on the display.

Note:

- To ensure good system performance, wait until the disc trays completely read the disc(s) before proceeding.

Basic playback controls

Load discs (page 3 - P4)

To play all discs on the disc trays

- Press **▶||**
OR

In the stop mode, press **CD** to select a disc tray to begin, then press **▶||**

→ All the available discs will play once, then stop.

To play the selected disc only

- Press one of the **CD 1~3** buttons on remote control.
→ The selected disc will play once, then stop.

To select a desired track

- Press **-** or **+** (or **◀/▶**) on the remote control repeatedly until the desired track is displayed.
→ During random play (shuffle), pressing **-** (or **◀**) on the remote control) will not affect the current playback.

To search for a particular passage during playback

- Press and hold **◀◀** or **▶▶** (or **◀◀/▶▶**) on the remote control) and release it when the desired passage is located.
→ During searching, the volume will be reduced. For a MP3/WMA disc, the volume will be muted.

To change discs without interrupting playback

- Press **DISC CHANGE**.
For example, if currently disc tray 1 is playing, you can change the discs on disc trays 2 and 3.

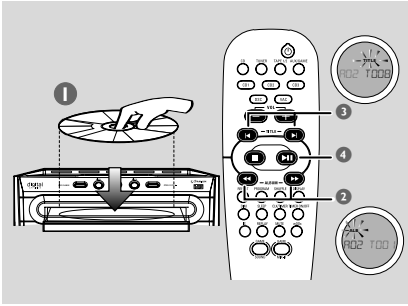
To interrupt playback

- Press **▶||**
→ To resume normal playback, repeat the above.

To stop playback

- Press **■**.
→ If the system remains in the stop mode for 30 minutes, it will switch to the standby mode.

Playing an MP3/WMA disc



- 1 Load an MP3/WMA disc.
 → The disc reading time may exceed 10 seconds due to the large number of songs compiled into one disc.
 → "A XXX T YYY" is displayed. XX is the current album number and YYY is the current title number.
- 2 Press ◀◀ or ▶▶ (or ◀◀ / ▶▶ on the remote control) to select a desired album.
- 3 Press - or + (or ◀ / ▶ on the remote control) to select a desired title.
- 4 Press ▶▶ to start playback.
- During playback, press **DISPLAY** to show the album and title name.

Supported MP3/WMA disc formats:

- ISO9660, Joliet, UDF 1.5
- Maximum title number : 400 (depending on filename length)
- Maximum album number : 40
- Supported sampling frequencies : 32 kHz, 44.1 kHz, 48 kHz
- Supported Bit-rates : 32~256 (kbps), variable bitrates
- ID3 tags : V1.1, V2.2, V2.3, V2.4

IMPORTANT:

- For DRM protected WMA files, use Windows Media Player 10 (or later) for CD burning/ conversion. Visit www.microsoft.com for details about Windows Media Player and WM DRM (Windows Media Digital Rights Management).

Repeat and shuffle

You can select and change various play modes before or during playback.

Repeat play

- 1 Press **REPEAT** on the remote control repeatedly to select :
 - to repeat playback of the current track.
 - to repeat playback of the current disc.
- 2 To resume normal playback, press **REPEAT** until "OFF" is displayed.

Random play

- Press **SHUFFLE** on the remote control to turn on/off the shuffle mode.
 - If activated, **SHUFFLE** is shown and the repeat mode (if any) will be cancelled.
 - Random play will start from the current disc tray. Only after all the tracks in the active disc tray have been shuffled, then it will change to the next available disc tray.
 - If programme mode is active, only the programmed tracks will be played in random order.

Note:

- Pressing the **OPEN•CLOSE** button will cancel all repeat and shuffle modes.

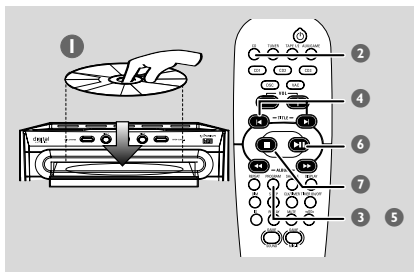
Disc Operations

Programming the disc tracks

Programming tracks is possible when playback is stopped. Up to 99 tracks can be stored in the memory in any order.

IMPORTANT!

It is only possible to programme from the current selected disc tray.



- 1 Load the desired discs into the disc trays (refer to "Loading discs").
- 2 Press **CD** or one of the **CD 1~3** buttons to select a disc.
- 3 Press **PROGRAM** to start programming.
→ **PROG** starts flashing.
- 4 Press **-** or **+** (or **◀/▶** on the remote control) repeatedly to select the desired track.
- For MP3/WMA discs, press **◀◀** or **▶▶** (or **◀◀/▶▶** on the remote control) and **-** or **+** (or **◀/▶** on the remote control) to select the desired album and title for programming.
- 5 Press **PROGRAM** to store.
- Repeat **steps 4-5** to select other tracks.
→ If you attempt to programme more than 99 tracks, "PROGRAM FULL" is displayed.
- 6 To start programme play, press **▶||**
- 7 To stop playback or to end the programming, press **■** once.
→ **PROG** stays and the programme mode remains active.

Notes:

- If the total playing time has reached 100 minutes or one of the programmed tracks has a number greater than 30, "—" is displayed instead of the total playing time.
- For MP3/WMA discs always display "----".
- The system will exit programming mode if no button is pressed within 20 seconds.
- For MP3/WMA discs always display "----".

Checking the programme

- 1 Stop playback and press **-** or **+** (or **◀/▶** on the remote control) repeatedly.
- 2 Press **■** to exit.
OR
Press **▶||** to start playback from the current programmed track

Clearing the programme

- Stop playback, then press **■** to clear the program.
→ **PROG** disappears and "PROGRAM CLEARED" is displayed.

Note:

- The programme will be erased if the system is disconnected from the power supply or you switch to another source mode.

IMPORTANT!

Make sure the FM and MW antennas are connected.

Tuning to radio stations

- 1 Press **TUNER** to enter tuner mode. To select another waveband (FM or MW), press **TUNER** again.
- 2 Press and hold **◀◀** or **▶▶** (or **◀◀ / ▶▶** on the remote control) until the frequency indication starts to change, then release.
 - The system automatically tunes to the next strong signal radio reception.
 - **RDS** lights up for RDS station (in FM band only).

For tuning to a weak signal station,

- Press **◀◀** or **▶▶** (or **◀◀ / ▶▶** on the remote control) briefly and repeatedly until an optimal reception is found.

Presetting radio stations

You can store up to 40 preset radio stations in the memory, starting from FM and followed by MW bands.

Notes:

- *The system will exit presetting mode if no button is pressed within 20 seconds.*
- *If no stereo frequency is detected during Plug and Play, "CHECK ANTENNA" is displayed.*

Using the Plug and Play (page 3 - P3)

Plug and Play allows you to store all available radio stations automatically.

- 1 **Connect the system to the power supply.** "AUTO INSTALL - PRESS PLAY" is displayed.
OR

In the Standby mode,

Press and hold **▶▶** on the main unit until "AUTO INSTALL - PRESS PLAY" is displayed.

- 2 Press **▶▶** on the main unit to start installation.
 - "INSTALL TUNER" is displayed.
 - All previously stored radio stations will be replaced.
 - Once completed, the last tuned radio station will be played.
 - Once completed, the last tuned radio station (or the first available RDS station) will be played.
- 3 **If the first preset is a RDS station,** it will proceed to set the RDS clock.
 - "INSTALL" is displayed, followed by "TIME" and "SEARCH RDS TIME".
 - When RDS time is read, "RDS TIME" is displayed and the current time will be stored.
 - If RDS station does not transmit RDS time within 90 seconds, "NO RDS TIME" is displayed and the programme will exit automatically.

Automatic presetting

You can start the automatic presetting from a selected preset number:

- 1 In tuner mode, press **-** or **+** (or **◀ / ▶** on the remote control) to select a preset number.
- 2 Press and hold **PROGRAM** until "AUTO" is displayed.
 - If a radio station has been stored in one of the presets, it will not be stored again under another preset number.
 - If no preset number is selected, automatic preset will begin from preset (1) and all your former presets will be overridden.

Manual presetting

You can choose to store only the favourite radio stations.

- 1 Tune to your desired radio station (refer to "Tuning to radio stations").
- 2 Press **PROGRAM**.
 - The preset number starts flashing. If you want to store the radio station in another preset number, press **-** or **+** (or **◀ / ▶** on the remote control).
- 3 Press **PROGRAM** again to store.
- Repeat **steps 1-3** to store other radio stations.

Tuner Operations

Selecting a preset radio station

- In tuner mode, press **-** or **+** (or **◀/▶** on the remote control).
→ The preset number, radio frequency, and waveband are displayed.

Deleting a preset radio station

- Press and hold **■** until "PRESET DELETE" is displayed.
→ The current preset radio station will be deleted.
→ All other preset radio stations with higher numbers are decreased by one.

RDS

RDS (**R**adio **D**ata **S**ystem) is a service that allows FM stations to show additional information. If you are receiving a RDS station, **RDS** and the station name are displayed.

Scrolling through RDS information

- Tuned to a RDS radio station from FM band, then press **AUTO REPLAY•RDS** repeatedly to select the following information (if available):
 - Station name
 - Programme type (for example: News, Affairs, Sport, etc.)
 - Radio text messages
 - Frequency

Setting the RDS clock

Some RDS radio station may be transmitting a real clock time at an interval of every minute. It is possible to set the clock by using a time signal which is broadcast together with the RDS signal.

- 1 Tune to a RDS station from FM band (refer to "Tuning to radio stations").
- 2 Press and hold **CLK/TIMER** (or **CLOCK•TIMER** on main unit) until "SELECT CLOCK OR TIMER" is displayed.
- 3 Press **▶/+** to change the display to "CLOCK" and press **CLK/TIMER (CLOCK•TIMER)** again to confirm.
- 4 Press **AUTO REPLAY•RDS**.
→ "SEARCH RDS TIME" is displayed.
→ When RDS time is read, the current time will be stored.
→ If the RDS station does not transmit RDS time within 90 seconds, "NO RDS TIME" is displayed.

Note:

- Some RDS radio stations may be transmitting a real time clock at a minute interval. The accuracy of the transmitted time depends on the transmitting RDS radio station.

NEWS

You may set up the tuner in such a way that listening to CD or external source is interrupted by the NEWS of a RDS station. This only works if the RDS station broadcasts a NEWS signal while sending the news.

IMPORTANT!

You can activate NEWS function from any source mode except TUNER.

Switching on NEWS function

- 1 In any active mode, press and hold **DUBBING•NEWS** until "NEWS" is displayed.
 - **NEWS** is shown.
 - The system will scan the radio stations stored in the first five (5) presets and wait for the News Programme Type data to be available in any of these RDS stations.
 - While searching NEWS, the current active mode remains uninterrupted.
- 2 When NEWS transmission is detected, the system will switch to Tuner mode.
 - **NEWS** starts flashing.
- If no RDS station is detected in the first five presets, the system will exit NEWS function.
 - "NO RDS NEWS" is displayed.

Notes:

- You have to exit Tuner mode before selecting NEWS function.
- Before you activate the NEWS feature, ensure that RDS stations are included in the first five presets.
- The NEWS works only once for each activation.

To cancel NEWS function

- Press and hold **DUBBING•NEWS** again or switch the system to tuner mode.
- OR

During news bulletin, press any other available source keys to execute the relevant source mode.

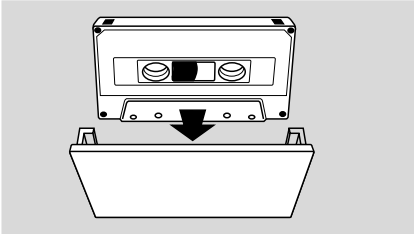
Tape Operation/Recording

IMPORTANT!

- Before playing a tape, check and tighten slack tape with a pencil. Slack tape may get jammed or may burst in the mechanism.
- Store tapes at room temperature and do not put them too close to a magnetic field (for example, a transformer, TV set or speaker).

Tape playback

- 1 Press ▲ to open the tape deck door.
- 2 Insert a recorded tape and close the tape door.
- 3 Load the tape with the open side down and the full spool to the left.



- 3 Press **TAPE** or **TAPE1/2** on the remote control repeatedly to select tape deck 1 or tape deck 2.
→ The selected tape deck number is displayed.
- 4 Press ►|| to start playback.

Stopping playback

- Press ■.

Changing the playback mode

- Press **AUTO REPLAY•RDS** repeatedly to select: ONCE, AUTO REPLAY. The default setting is AUTO.

AUTO REPLAY ... the tape will rewind automatically at the end of playback and replay. It will replay up to max. 10 times or until you press ■.

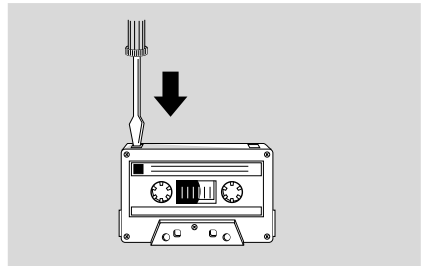
ONCE the selected side will be played once.

Rewinding or forwarding fast when playback is stopped

- 1 Press and hold ◀◀ or ▶▶ on the front panel (or press ◀◀ or ▶▶ on the remote control).
- 2 Press ■ when you reach the desired passage.

General information on recording

- If you don't intend to record via the microphone, unplug it to avoid unwanted recording source.
- For recording, only use tape of IEC type I (normal tape).
- The recording level is set automatically, regardless of the position of the Volume, Vocal, Key control and so forth.
- The type is secured at both ends with leader tape. At the beginning and end of the tape, nothing will be recorded for seven seconds.
- To prevent accidental recording, break out the tab on the left shoulder of the tape side you want to protect.



- Press REC in Tuner, Disc or AUX mode, press REC, and "CHECK TAPE" will scroll on the display if there is no recordable tape in tape deck 2.

IMPORTANT!

- Recording is permissible if copyright or other rights of third parties are not infringed upon.
- Recording is possible only in tape deck.

Preparation for recording

- 1 Press **TAPE (TAPE 1•2)** to select TAPE 2.
- 2 Load a recordable tape into tape deck 2 with the full spool to the left.
- 3 Prepare the source to be recorded.
DISC – load the disc(s)
TUNER – tune to the desired radio station.
TAPE – load the prerecorded tape into tape deck 1 with the full spool to the left.
AUX•GAME – connect external equipment.

When recording is in progress

- 1 Press **DISC, TUNER** or **AUX•GAME** to select the source.
- 2 Start to play the selected source.
- 3 Press **REC** to start recording.

To stop recording

- Press **■** on the system.

Disc synchro recording

- 1 Press **DISC** to select the disc.
- Press **-/+ (◀/▶)** to select a desired track to record.
- You can record programmed tracks in the order you want.
- 2 Press **REC** to start recording.
→ "REC" will flash, but the first 7 seconds of the start passage will not be recorded.

Selecting another track during recording

- 1 Press **▶||** to interrupt recording.
- 2 Press **-/+ (◀/▶)** to select another track.
- 3 Press **▶||** to resume recording.

To stop recording

- Press **■**.
→ Recording and disc playback will stop simultaneously.

Dubbing tapes

- 1 Load the prerecorded tape into tape deck 1.
- You can set the tape to the desired passage where recording will start.
- 2 Press **DUBBING•NEWS**.
→ Playing and recording will start simultaneously.
- Dubbing of tapes is possible on one side of the tape only. To continue recording on the reverse side, at the end of side A for example, flip the tape to side B and repeat the procedure.

To stop dubbing

- Press **■**.

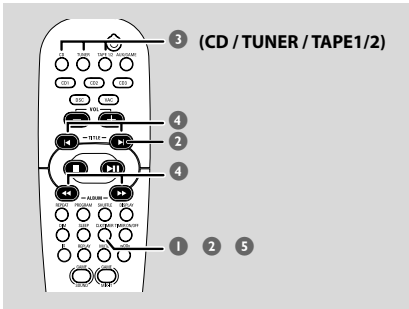
Timer Operations

Setting the timer

The system can switch on to CD, TUNER or TAPE mode automatically at a preset time, serving as an alarm to wake you up.

IMPORTANT!

- Before setting the timer, ensure that the clock is set correctly.
- The volume of the timer will increase gradually to the last tuned volume level. If the last tuned volume level is too low, the set will then increase to a predetermined minimum audible level.



- 1 Press and hold **CLK/TIMER** (or **CLOCK•TIMER** on main unit) until "SELECT CLOCK OR TIMER" is displayed.
- 2 Press **+** (or **▶** on the remote control) to change the display to "TIMER" and press **CLK/TIMER** again to confirm.
- 3 Press **CD**, **TUNER** or **TAPE1/2** to select the wake-up source.
CD → "CD XX:XX"
TUNER → "TU XX:XX"
TAPE → "TA XX:XX"
- 4 Press **◀◀** or **▶▶** (or **◀◀/▶▶** on the remote control) (for hours) and **-** or **+** (or **◀/▶** on the remote control) (for minutes) repeatedly to set the wake-up time.
- 5 Press **CLK/TIMER** to store the setting.
→ The timer will always be switched on once it has been set.
→ icon remains on the display. It indicates the timer is activated.

- **At the preset time, the selected sound source will be played for 30 minutes before it switches to standby mode** (if no button is pressed within the time frame).
→ **CD** – playing the first track of the disc. If the disc tray is empty, it will switch to Tuner mode.
→ **TUNER** – playing the last tuned radio station.
→ **TAPE** – playing the tape.

Activating/deactivating the timer

- Press **TIMER ON/OFF** on the remote control to turn off the timer or turn on to the last setting again.
→ If activated, the timer information will display for a few seconds, then the system resumes to the last active source or stays in standby mode.
→ If deactivated, "CANCEL" is displayed.

Note:


- The system will exit timer setting mode if no button is pressed within 90 seconds.

Setting the sleep timer

The sleep timer enables the system to switch to standby mode automatically at a preset time.

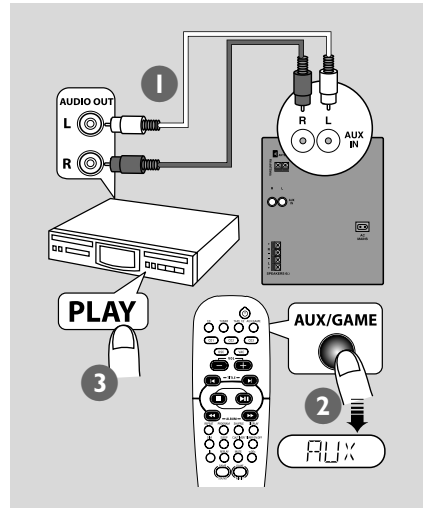
- 1 Press **SLEEP** repeatedly until it reaches the desired preset turn-off time.
 - Following options are available (time in minutes):
 15 → 30 → 45 → 60 → 90 → 120 → OFF → 15 ...
 - **SLEEP** is shown, except for "OFF" mode.
 - To view or change the setting, repeat the above.
- 2 Before the system switches to standby mode, a countdown of 10 seconds is displayed.
 "SLEEP 10" → "SLEEP 9" ... → "SLEEP 1" → "SLEEP"

Cancelling the sleep timer function

- Press **SLEEP** repeatedly until "OFF" is displayed, or press the **STANDBY ON**  button.

Listening to an external source

You can listen to the sound of the connected external device through your system's speakers.



- 1 Use the red/white audio cables to connect the system's **AUX IN (R/L)** terminals to the AUDIO OUT terminals on the other audio/visual device (such as a TV, VCR, Laser Disc player, DVD player or CD recorder)
 - If the connected device has only a single audio out terminal, connect it to the AUX IN left terminal. Alternatively, you can use a "single to double" cinch cable, but the output sounds still remain mono.
- 2 Press **AUX/GAME** until "AUX" is displayed.
- 3 Press **PLAY** on the connected device to start playback.

Notes:

- All the sound control features (DSC, VAC for example) are available for selection.
- Always refer to the owner's manual of other equipment for complete connection and use details.

Specifications

AMPLIFIER

Output power	2 x 300 W MPO
.....	2 x 150 W RMS*
Signal-to-noise ratio	≥ 62 dBA (IEC)
Frequency response	63 – 16000 Hz, –3 dB
Input sensitivity	
AUX In	640 mV
Gameport	310 mV
Output	
Speakers	≥ 4 Ω
Headphones	32 Ω – 1000 Ω
* (4 Ω, 1 kHz, 10% THD)	

DISC PLAYER

Programmable tracks	99
Frequency response	50 – 18000 Hz, –3 dB
Signal-to-noise ratio	≥ 62 dBA
Channel separation	≥ 35 dB (1 kHz)
MPEG 1 Layer 3 (MP3/WMA-CD)	
.....	MPEG AUDIO
MP3/WMA-CD bit rate	32-256 kbps
.....	(128 kbps advised)
Sampling frequencies	32, 44.1, 48 kHz

TUNER

FM wave range	87.5 – 108 MHz
MW wave range	531 – 1602 kHz
Number of presets	40
Antenna	
FM	75 Ω wire
MW	Loop antenna

SPEAKERS

System	3 way, Bass reflex
Impedance	4 Ω
Woofer	1 x 6.5"
Tweeter	1 x 2" Ferro fluid cooled
Dimensions (w x h x d)	240 x 358 x 230 (mm)
Weight	4.35 kg each

GENERAL

Material/finish	Polystyrene/Metal
AC Power	220 – 230 V / 50 Hz
Power Consumption	
Active	55 W
Standby	< 25 W
Eco Power Standby	< 1 W
Dimensions (w x h x d)	265 x 322 x 390 (mm)
Weight (without speakers)	7.75 kg

Specifications and external appearance are subject to change without notice.

WARNING

Under no circumstances should you try to repair the system yourself, as this will invalidate the warranty. Do not open the system as there is a risk of electric shock.

If a fault occurs, first check the points listed below before taking the system for repair. If you are unable to remedy a problem by following these hints, consult your dealer or Philips for help.

Problem	Solution
Radio reception is poor.	<ul style="list-style-type: none"> ✓ If the signal is too weak, adjust the antenna or connect an external antenna for better reception. ✓ Increase the distance between the system and your TV or VCR.
“NO DISC” is displayed or the disc cannot be played.	<ul style="list-style-type: none"> ✓ Insert a disc. ✓ Load in the disc with the labeled side facing up. ✓ Replace or clean the disc, see “Care and safety information”. ✓ Use a finalised CD-R(W) or a correct format disc.
The system does not react when buttons are pressed.	<ul style="list-style-type: none"> ✓ Remove and reconnect the AC power cord and switch on the system again.
Sound cannot be heard or is of poor quality.	<ul style="list-style-type: none"> ✓ Adjust the volume. ✓ Disconnect the headphones. ✓ Check that the speakers are connected correctly. ✓ Check that the AC power cord is connected properly.
The remote control does not function properly.	<ul style="list-style-type: none"> ✓ Select the source (CD or TUNER, for example) before pressing the function button (▶ , ◀◀, ▶▶). ✓ Reduce the distance between the remote control and the system. ✓ Replace the battery. ✓ Point the remote control directly toward the IR sensor.
The timer is not working.	<ul style="list-style-type: none"> ✓ Set the clock correctly. ✓ Press TIMER ON/OFF to switch on the timer.
The system displays features automatically and buttons start flashing.	<ul style="list-style-type: none"> ✓ Press and hold DEMO STOP on the main unit to switch off the demonstration mode.