



ENG Quick Start Guide



English

Install the car audio

These instructions are for a typical installation. However, if your car has different requirements, make the corresponding adjustment. If you have any questions regarding installation kits, consult your Philips car audio dealer.

Caution

- This unit is designed for negative ground (earth) 12 V DC operation only.
- Always install this unit in the car dashboard. Other locations can be dangerous as the rear of the unit heats up during use.
- To avoid short-circuit: before you connect, ensure that the ignition is off.
- Ensure that you connect the yellow and red power supply leads after all other leads are connected.
- Ensure that all loose leads are insulated with electrical tape.
- Ensure that the leads do not get caught under screws or parts that will move (e.g. seat rail).
- Ensure that all ground (earth) leads are run to a common ground (earth) point.
- Use only the supplied mounting hardware for a safe and secure installation.
- Improper fuses can cause damage or fire. When you need to change the fuse, consult a professional.

Note on the power supply lead (yellow)

- When you connect other devices to this system, ensure that the rating of the car circuit is higher than the total fuse value of all the connected devices.

Notes on speaker connection

- Never connect speaker wires to the metal body or chassis of the car.
- Never connect speaker wires with stripes to one another.

Connect wires 1

Caution

- Ensure that all loose leads are insulated with electrical tape.

- 1 Check the car's wiring carefully, then do the other connections:

Connect GPS antenna 2

To receive signal from satellites, connect the supplied GPS antenna to your car and the system.

- 1 Connect the supplied GPS antenna to the system first.
- 2 Stick the other end of the GPS antenna to a surface for better signal reception.

Mount in the dashboard 3

Note

- Check wire connection before you mount the unit into a car.

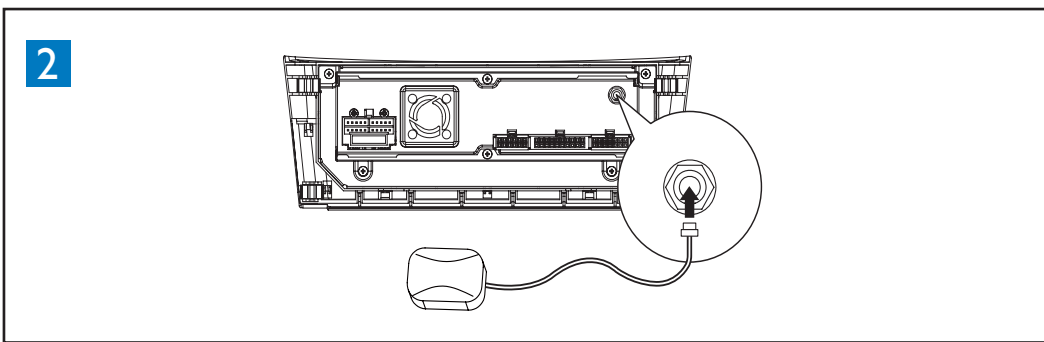
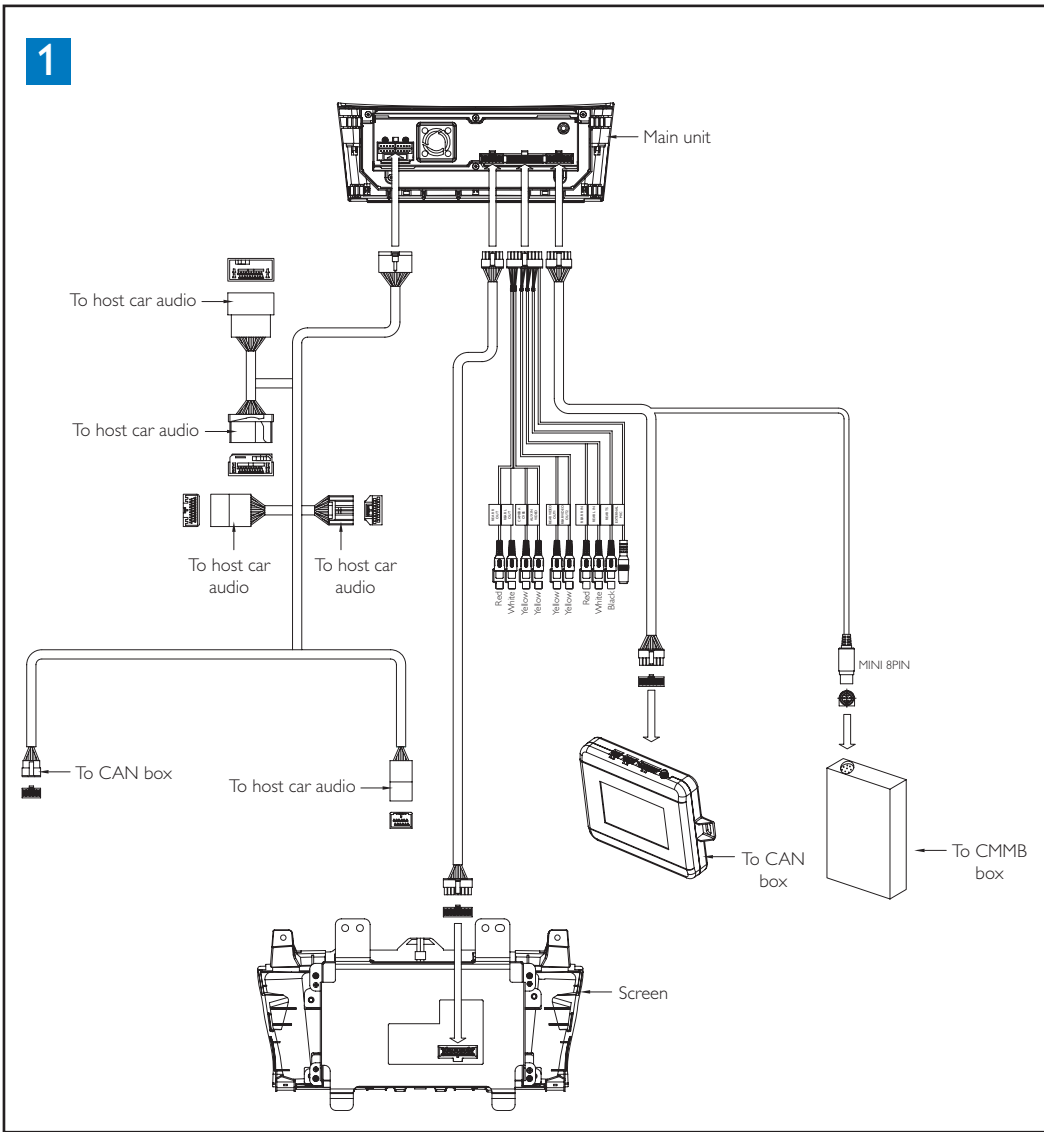
- 1 Take off the trim plate of the car.
- 2 Fix the screen to the car with 2 screws. **a**
- 3 Slide the main unit into the car, and fix it to the car with four screws. **b**
- 4 Attach the trim plate.
- 5 Reconnect the negative terminal of the car battery.

Turn on

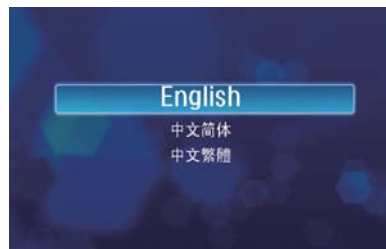
Caution

- Risk of road accidents! Never watch video or adjust settings while you drive.

- 1 Press and hold **SOURCE** to turn on the unit.



↳ The available OSD (On-Screen Display) languages are displayed.



- 2 Touch a language to select.
 - ↳ The OSD language is changed to the selected language immediately.
- To turn off the unit, press and hold **SOURCE**.

Set date

- 1 Touch the upper left corner to display main menu.
- 2 Touch **⌂** in the middle right side of the screen.
 - ↳ The second main menu is displayed.
- 3 Touch **[Settings]**.
- 4 Touch **[Time]**.
 - ↳ The date setup menu is displayed.



- 5 Touch on the displayed date information.
- 6 Touch **⬆** or **⬇** to set year, month and day.

Tip

- When date is set, touch **⏪** first and then touch **⏩** to return to main menu.
- To set time, refer to the user manual of the host car audio.

Use map

Note

- You may need to upgrade the map before using it (see "Upgrade the map" section)

- 1 Touch the upper left corner to display home menu.
- 2 Touch **[Navigation]**.
 - ↳ The navigation menu is displayed in a few seconds.



- 3 Refer to the map manual (in Chinese) to operate the navigation tool.

Tip

- You can press **NAVI** to enter/exit the navigation system.

Load discs 4

You can play video, audio or images stored on the following discs:

- DVD video, DVD-R, DVD-RW
- VCD
- Audio CD, CD-R, CD-RW

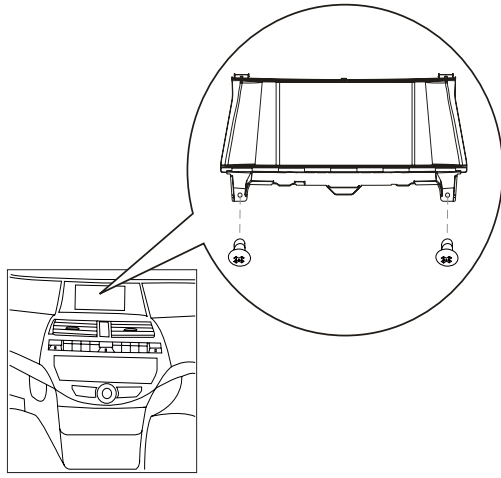
Note

- Ensure that the disc contains playable content.

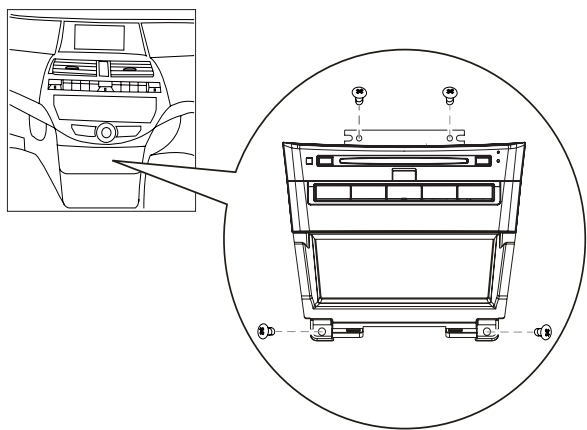
- 1 Insert the disc into the disc slot with label side facing up.
 - ↳ Play starts automatically.

3

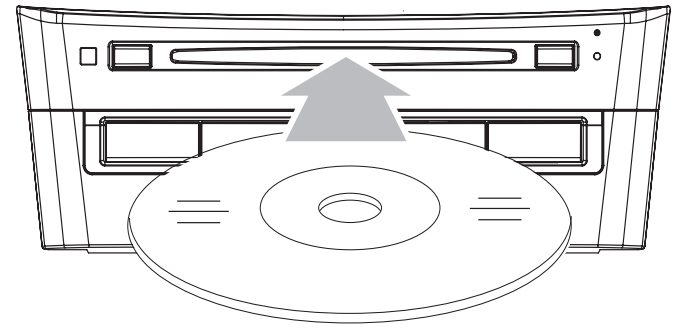
a



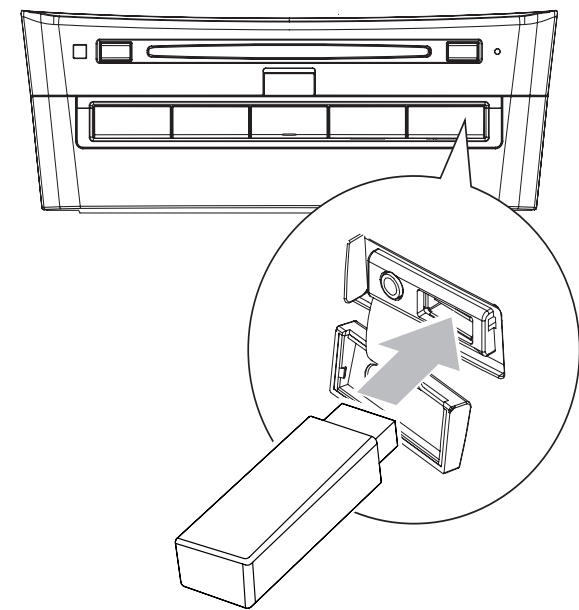
b



4



5



↳ To remove the disc, press the ▲ button.

↳ When the disc is ejected, the unit switches to the previous source, if connected.

Connect USB device 5

Note

- Ensure that the device contains playable content.

- 1 Open the USB door.
- 2 Insert your USB device to the USB socket.
↳ Play starts automatically.

Pair the Bluetooth-enabled devices

To connect your Bluetooth device to the unit, you need to pair the device to the unit. Pairing needs only to be done once.

You can pair up to eight devices.

- 1 Turn on the Bluetooth function on the device.
- 2 Search for Bluetooth device with the device.
- 3 Select "CID3682" in the pairing list.
- 4 Enter default password "0000".
↳ if pairing succeeds, phone call record is displayed.



Make a call

- 1 Pair the phone with the unit.
- 2 Touch the upper left corner to display the home menu.
- 3 Touch [Bluetooth].
↳ The Bluetooth menu is displayed.



- 4 Touch ▲ or ▼ to select the paired phone, then touch ☎.
- 5 Touch ▲ or ▼ to search for phone number from the following list:

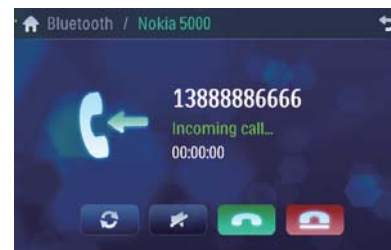


Or touch ■ to dial number directly, then touch ☎ to dial.

Receive call

By default, all incoming calls are received automatically.

- 1 If there is incoming call, [Incoming call...] flashes on the screen. Speak into the Bluetooth microphone.



- 2 When conversation ends, touch ☎ (red) to terminate the call.

Tip

- You can select to receive calls manually by set [Auto answer] to [Off] status.

Adjust sound

Adjust volume

To adjust volume, you can:

- Press the VOL +/- button on the steering wheel.
- Rotate the volume knob on the host car audio.

Mute

- 1 Touch anywhere except for the upper left corner to display menu on the screen, if necessary
- 2 Touch 🎧.
↳ The sound is cut off.
↳ To resume sound, touch 🎧 again.

Select preset equalizer

You can select preset equalizer:

- 1 Touch anywhere except for the upper left corner to display menu on the screen, if necessary.

- 2 Touch 🎧.
↳ The current Equalizer setting is displayed.



- 3 Touch ◀ or ▶ to select an EQ.
- 4 Touch ▲ or ▼ to adjust below settings:
 - [Bass] bass range: -14 to +14.
 - [Mid] middle range: -14 to +14.
 - [Treb] treble range: -14 to +14.
 - [LPH] low pass filter range: 60, 80, 100, 200.
 - [MPF] middle pass filter range: 500, 1K, 1.5K, 2.5K.
 - [HPF] high pass filter range: 10K, 12.5K, 15K, 17.5K.
- 5 Touch 🔄 to restore the above settings into default settings.
- 6 Press ↵ to exit.

