

Register your product and get support at  
[www.philips.com/welcome](http://www.philips.com/welcome)

DA1200



User manual

**PHILIPS**

# Contents

---

<b>1</b>	<b>Important</b>	5
	Safety	5
	Notice	7

---

<b>2</b>	<b>Your FM/DAB radio</b>	10
	Introduction	10
	What's in the box	10
	Overview of the main unit	11

---

<b>3</b>	<b>Get started</b>	13
	Connect power	13
	Turn on	15
	Adjust volume	15
	Connect the earphones	16

---

<b>4</b>	<b>Listen to DAB radio</b>	17
	Tune to DAB radio stations	17
	Scan DAB radio stations automatically	18
	Store DAB radio stations manually	18
	Select a preset DAB radio station	19
	Display DAB information	19
	Use DAB menu	20

---

<b>5</b>	<b>Listen to FM radio</b>	22
	Tune to FM radio stations	22
	Scan FM radio stations automatically	22
	Store FM radio stations manually	22
	Select a preset FM radio station	23

	Display RDS information	23
	Use FM menu	24
<b>6</b>	<b>Update software (if available)</b>	<b>26</b>
<b>7</b>	<b>Synchronize the time</b>	<b>27</b>
<b>8</b>	<b>Product information</b>	<b>28</b>
	Tuner (FM/DAB)	28
	General information	29
<b>9</b>	<b>Troubleshooting</b>	<b>30</b>
<b>10</b>	<b>About DAB</b>	<b>31</b>

# 1 Important

---

## Safety

- Never lubricate any part of this unit
- Never place this unit on other electrical equipment.
- Never expose this device to direct sunlight, naked flames, or heat.
- Only use attachments/accessories specified by the manufacturer.
- Refer all servicing to qualified service personnel. Servicing is required when the digital radio has been damaged in any way, such as power-supply cord or plug is damaged, liquid has been spilled or objects have fallen into the digital radio, the digital radio has been exposed to rain or moisture, does not operate normally, or has been dropped.
- The unit shall not be exposed to dripping or splashing.
- Do not place any sources of danger on the unit (e.g. liquid filled objects, lighted candles).
- Where the mains plug or an appliance coupler is used as the disconnect device, the disconnect device shall remain readily operable.

---

## Hearing safety



Listen at a moderate volume.

- Using earphones at a high volume can impair your hearing. This product can produce sounds in decibel ranges that may cause hearing loss for a normal person, even for exposure less than a minute. The higher decibel ranges are offered for those that may have already experienced some hearing loss.
- Sound can be deceiving. Over time your hearing 'comfort level' adapts to higher volumes of sound. So after prolonged listening, what sounds 'normal' can actually be loud and harmful to your hearing. To guard against this, set your volume to a safe level before your hearing adapts and leave it there.

#### **To establish a safe volume level:**

- Set your volume control at a low setting.
- Slowly increase the sound until you can hear it comfortably and clearly, without distortion.

#### **Listen for reasonable periods of time:**

- Prolonged exposure to sound, even at normally 'safe' levels, can also cause hearing loss.
- Be sure to use your equipment reasonably and take appropriate breaks.

#### **Be sure to observe the following guidelines when using your earphones.**

- Listen at reasonable volumes for reasonable periods of time.
- Be careful not to adjust the volume as your hearing adapts.
- Do not turn up the volume so high that you can't hear what's around you.
- You should use caution or temporarily discontinue use in potentially hazardous situations. Do not use earphones while operating a motorized vehicle, cycling, skateboarding, etc.; it may create a traffic hazard and is illegal in many areas.

---

## Notice

Any changes or modifications made to this device that are not expressly approved by Philips Consumer Lifestyle may void the user's authority to operate the equipment.



This product complies with the radio interference requirements of the European Community.



Your product is designed and manufactured with high quality materials and components, which can be recycled and reused.

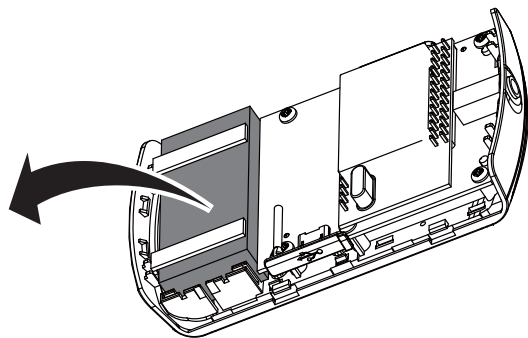


When this crossed-out wheeled bin symbol is attached to a product it means that the product is covered by the European Directive 2002/96/EC. Please inform yourself about the local separate collection system for electrical and electronic products. Please act according to your local rules and do not dispose of your old products with your normal household waste. Correct disposal of your old product helps to prevent potential negative consequences for the environment and human health.



Your product contains batteries covered by the European Directive 2006/66/EC, which cannot be disposed with normal household waste.

Please inform yourself about the local rules on separate collection of batteries because correct disposal helps to prevent negative consequences for the environmental and human health. Always bring your product to a professional to remove the built-in battery.



### **Environmental information**

All unnecessary packaging has been omitted. We have tried to make the packaging easy to separate into three materials: cardboard (box), polystyrene foam (buffer) and polyethylene (bags, protective foam sheet.)

Your system consists of materials which can be recycled and reused if disassembled by a specialized company. Please observe the local regulations regarding the disposal of packaging materials, exhausted batteries and old equipment.



#### Note

- The type plate is located on the back of the unit.



## 2 Your FM/DAB radio

Congratulations on your purchase, and welcome to Philips! To fully benefit from the support that Philips offers, register your product at [www.philips.com/welcome](http://www.philips.com/welcome).

---

### Introduction

With this unit, you can enjoy both FM and Digital Audio Broadcasting (DAB) radio.

Digital Audio Broadcasting (DAB), is a way of broadcasting radio digitally through a network of transmitters. It provides you with more choice, better sound quality, and more information.

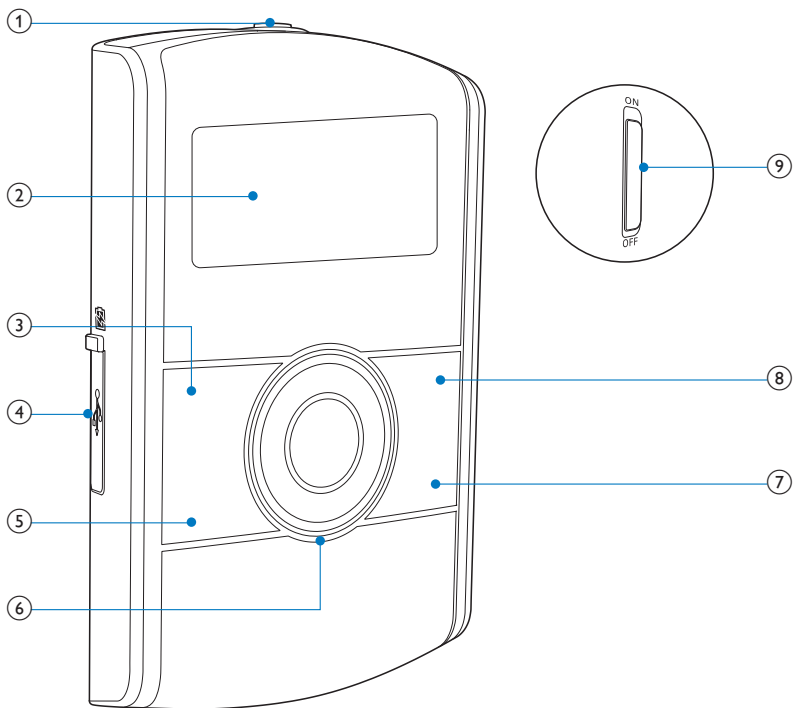
---


### What's in the box

Check and identify the contents of your package:

- Main unit
- Power adapter
- USB cable
- Earphones
- User manual

# Overview of the main unit



- ① 
  - Earphones socket.
- ② **Display panel**
  - Display current information.
- ③ **INFO**
  - Display DAB/RDS information



- Connect power through a USB cable.
- Connect PC for software update.

⑤ **MENU**

- Access DAB/FM menu.

⑥ **Navigation keys**



- Adjust volume.



- Adjust settings.
- Tune to a radio station.
- Search for next radio station automatically.

**OK**

- Confirm a selection.
- Search for next radio station automatically.

⑦ **DAB/FM**

- Select DAB/FM source.

⑧ **PRESET**

- Store radio stations manually.
- Select a preset radio station.

⑨ **Power selector**

- Turn on/off the power.

# 3 Get started

Always follow the instructions in this chapter in sequence.

If you contact Philips, you will be asked for the model and serial number of this device. The model number and serial number are on the back of the device. Write the numbers here:

Model No. \_\_\_\_\_

Serial No. \_\_\_\_\_

---


## Connect power



### Caution

- Risk of product damage! Ensure that the power supply voltage corresponds to the voltage printed on the back or the underside of the unit.
- Risk of electric shock! When you unplug the AC power cord, always pull the plug from the socket. Never pull the cord.
- Before connecting the AC adapter, ensure that you have completed all other connections.
- Danger of explosion if battery is incorrectly replaced. Replace only with the same or equivalent type.
- The battery contains chemical substances, so it should be disposed of properly.

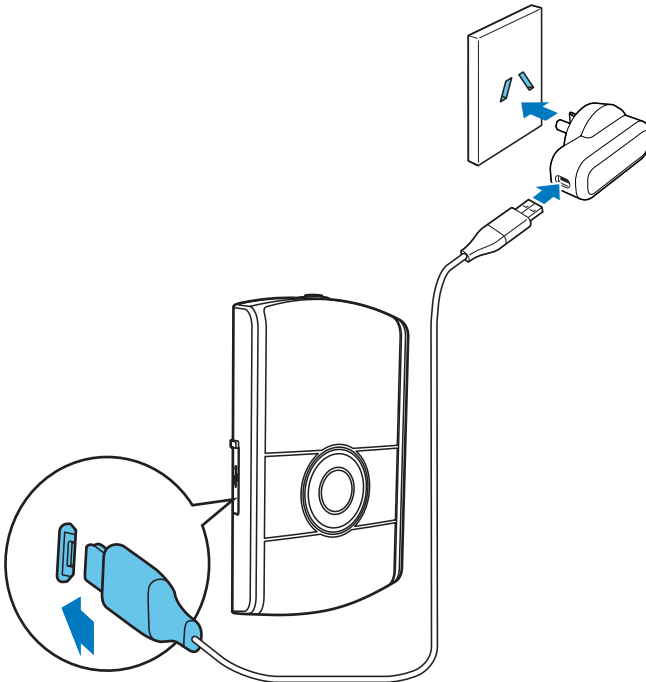
This digital radio can be powered on by AC mains or build-in battery.

- 1 Pull the cover out of the  (USB) socket on the left of the unit.
- 2 Insert one end of the USB cable into the USB socket.
- 3 Connect the other end of the USB cable to the AC adapter.
- 4 Connect the AC adapter to the wall outlet.  
↳ This digital radio begins to charge automatically.



### Note

- When use build-in battery, please make sure the power is sufficient. If not, follow above steps to charge your digital radio.

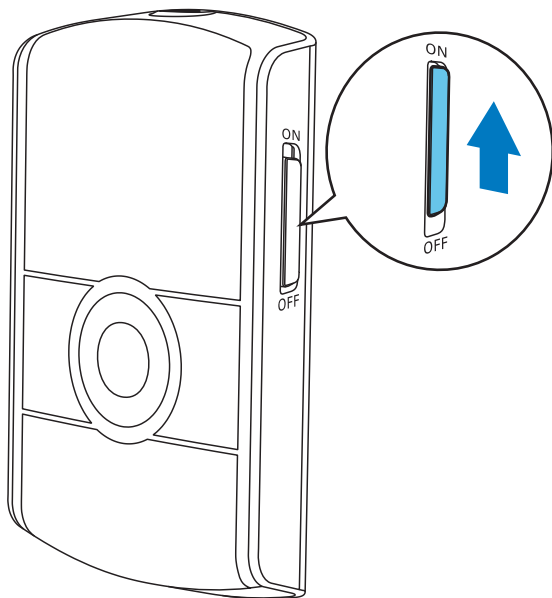


---

## Turn on

Push the selector upward to turn on the unit.

- ↳ **[Welcome to Digital Radio]** (welcome to digital radio) is displayed.
- ↳ The unit switches to the last selected source.



To turn off the unit, push the selector downward.


---

## Adjust volume

Press ▲ / ▼ repeatedly to increase/decrease the volume.

---

## Connect the earphones

Before you tune to a radio station, plug the supplied earphones into the  socket on the top of the unit. Otherwise, you cannot listen to the radio.

For optimal reception, fully extend your earphones cable and adjust the position of your digital radio.



### Note

- To prevent interference, position your digital radio as far as possible from TV, VCR, or other radiation source.

# 4 Listen to DAB radio

## Tune to DAB radio stations

When you enter the DAB mode for the first time, or the station list is empty, the digital radio automatically scans DAB radio stations, and station list is retained in memory. Next time when you turn on the unit, the station scan does not take place.

- 1 Press **DAB/FM** repeatedly to select DAB mode.
  - ↳ A bar graph indicates the progress of the search and the number of stations found increase as the scan progresses.



- 2 When scan is completed,
  - ↳ The stations are listed and first available station broadcasts automatically.
  - ↳ If no DAB station is available, **[No DAB Station]** (no DAB station) is displayed.
  - Change the location.
  - Press **OK** to scan again.



### To change DAB stations:

In DAB mode, press ◀/▶ repeatedly to tune to a desired station, and then press **OK** to confirm. If not, the radio exits the station list automatically.

---

## Scan DAB radio stations automatically



### Note

- New stations and services will be added in the DAB broadcast. To make new DAB stations and services available, perform full scan regularly.

- 1 In DAB mode, press **MENU** to access the DAB menu.
- 2 Press ◀/▶ repeatedly to display **[Full scan]** (full scan).
- 3 Press **OK** to confirm.
  - ↳ The unit scans all DAB radio stations and broadcasts the first available station.

---

## Store DAB radio stations manually



### Note

- You can store up to 10 DAB radio stations.

- 1 Tune to a DAB radio station.

- 2 Press and hold **PRESET** for more than two seconds to activate the storing mode.  
↳ **[Preset Store]** (preset store) is displayed.
- 3 Press ◀/▶ repeatedly to select a preset number.
- 4 Press **OK** to confirm.
- 5 Repeat steps 1 to 4 to store more DAB stations.



#### Note

- To overwrite a preset station, store another station in its place.

---

## Select a preset DAB radio station

- 1 In DAB mode, press **PRESET**.
- 2 Press ◀/▶ repeatedly to select a preset DAB radio station.
- 3 Press **OK** to confirm.



#### Note

- When you go through the preset station list, if no button is pressed within 15 seconds, the radio tunes to last selected station.

---

## Display DAB information

- 1 Tune to a DAB radio station.

- 2 Press **INFO** repeatedly to scroll through the following information (if available):
  - ↳ Dynamic Label Segment (DLS)
  - ↳ Signal strength
  - ↳ Program Type (PTY)
  - ↳ Ensemble name
  - ↳ Channel and frequency
  - ↳ Signal error rate
  - ↳ Bit rate and audio status
  - ↳ Time

---

## Use DAB menu

- 1 In DAB mode, press **MENU** to access the DAB menu.
- 2 Press ◀/▶ repeatedly to display the menu options:
  - **[Station list]** (station list): display all DAB radio stations that have been found.
  - **[Full scan]** (full scan): scan all available DAB radio stations.
  - **[Manual tune]** (manual tune): tune to a specific channel/frequency manually and add it to the station list.
  - **[DRC]** (DRC)
  - **[Station order]** (station order): change station order.
  - **[Prune]** (prune): remove unavailable stations from the station list.
  - **[System]** (system): adjust system settings.
- 3 To select an option, press **OK**.
- 4 Repeat steps 2-3 if sub-option is available under one option.

## [DRC] (DRC)

Dynamic range compression (DRC) adds or removes a degree of compensation for the differences in the dynamic range between radio stations.

- **[DRC high]** (DRC high): set DRC in high level.
- **[DRC low]** (DRC low): set DRC in low level.
- **[DRC off]** (DRC off): turn off DRC.



### Note

- DRC only works if it is enabled by the broadcaster for a specific station.

## [Station Xorder] (station order)

- **[Alphanumeric]** (alphanumeric): list stations in alphanumeric order.
- **[Ensemble]** (ensemble): list groups of stations that are broadcast together on the same ensemble.

## [System] (system)

- **[Backlight]** (backlight): select timeout mode for the backlight.
- **[Language]** (language): select a language.
- **[Factory Reset]** (factory reset): reset all settings to factory default.
- **[Software Upgrade]** (software upgrade): upgrade software if available.
- **[SW version]** (software version): know the software version of this digital radio.



### Note

- If no button is pressed within 15 seconds, the menu exits.

# 5 Listen to FM radio

---

## Tune to FM radio stations

- 1 Press **DAB/FM** repeatedly to select FM mode.
- 2 Press ◀/▶ repeatedly to tune to a radio station.

---

## Scan FM radio stations automatically

In FM mode, press **OK** or press and hold ◀/▶ for more than two seconds.

- ↳ The unit scans the next available station and broadcasts it automatically.

---

## Store FM radio stations manually



### Note

- You can store up to 10 FM radio stations.

- 1 Tune to an FM radio station.
- 2 Press and hold **PRESET** for more than two seconds to activate storing mode.
- 3 Press ◀/▶ repeatedly to select a preset number.

- 4 Press **OK** to confirm.
- 5 Repeat steps 1-4 to store more FM stations.



### Tip

- To overwrite a preset station, store another station in its place.

---

## Select a preset FM radio station

- 1 In FM mode, press **PRESET**.
- 2 Press ◀/▶ repeatedly to select a preset FM radio station.
- 3 Press **OK** to confirm.



### Note

- When you go through the preset station list, if no button is pressed within 15 seconds, the radio tunes to last selected station.

---

## Display RDS information

Radio Data System (RDS) is a service that allows FM stations to show additional information.

If you listen to an FM station with RDS signal, the station name is displayed.

- 1 Tune to an RDS station.

- 2 Press **INFO** repeatedly to scroll through the following information (if available):
    - ↳ Radio text
    - ↳ Program type such as **[NEWS]** (news), **[SPORT]** (sport), **[POP M]** (pop music)...
    - ↳ Station name
    - ↳ Mono/stereo
- 

## Use FM menu

- 1 In FM mode, press **MENU** to access FM menu.
- 2 Press **◀/▶** repeatedly to scroll the menu options:
  - **[Scan setting]** (scan setting)
  - **[Audio setting]** (audio setting)
  - **[System]** (system)
- 3 To select an option, press **OK**.
- 4 Repeat steps 2-3 if sub-option is available under one option.

### **[Scan setting]** (scan setting)

- **[All stations]** (all stations): scan all FM radio stations.
- **[Strong stations only]** (strong stations only): scan stations with strong signals only.

### **[Audio setting]** (audio setting)

- **[Stereo allowed]** (stereo allowed): select stereo broadcast.
- **[Forced mono]** (forced mono): select mono broadcast.

### **[System]** (system)

- **[Backlight]** (backlight): set time duration of the backlight.
- **[Language]** (language): select a language.
- **[Factory Reset]** (factory reset): reset all settings to factory default.

- **[Software Upgrade]** (software upgrade): upgrade software if available.
- **[SW version]** (software version): display the current software version.



#### Note

- If no button is pressed within 15 seconds, the menu exits.



## 6 Update software (if available)

Software upgrade for your radio may be available in future. If you register your product at Philips website ([www.philips.com/welcome](http://www.philips.com/welcome)) with a valid email address, you may receive software update notification. Or you can visit Philips website constantly to check if the updating information is provided.

**To upgrade software of your radio, follow these steps strictly:**

- 1** Read software update instructions on Philips website carefully.
- 2** Download the latest software to your PC, and then connect your radio to the PC via USB socket.
- 3** In FM/DAB mode, enter the system menu.
- 4** Press ◀/▶ repeatedly until **[Software Upgrade]** (software upgrade) is displayed.
- 5** Press **OK** to confirm.
- 6** Follow the instructions on the screen to complete upgrade.



### Note

- If you select **[Software upgrade]** (software upgrade) > **[Yes]** (yes) without downloading the latest software or connecting to PC via USB socket, you need power off and turn on the radio again.
- If upgrade is interrupted by accident, you must power off the unit and reinstall the software, otherwise your radio cannot work normally.

# 7 Synchronize the time

The time can be synchronized with external clocks broadcast over DAB and RDS radio stations.

# 8 Product information



## Note

- Product information is subject to change without prior notice.

---

## Tuner (FM/DAB)

---

Tuning Range	FM: 87.5 - 108 MHz DAB: 174.928 - 239.200 MHz (Band III)
--------------	--

---

Tuning grid (FM)	50 KHz
------------------	--------

---

Sensitivity	
- Mono, 26 dB S/N Ratio	<22 dBu
- Stereo, 46 dB S/N Ratio	<45 dBu

---

Search Selectivity	
-All stations	30 dBf
-Strong station	35 dBf

---

Total Harmonic Distortion	< 2%
---------------------------	------

---

Signal to Noise Ratio	>55 dB
-----------------------	--------

---

---

## General information

---

AC adapter

-Brand name

PHILIPS

-Model

S005SS0500050

-Input

100-240 V ~; 50/60 Hz;150 mA

-Output

5 V  $\overline{=}$  0.5 A

---

Operation Power

2.5 W

Consumption

---

Headphone output power

3 mW  $\times$  2 (16 ohm)

---

Dimensions

- Main Unit (H  $\times$  W  $\times$  D)

172  $\times$  92  $\times$  72 mm

---

Weight

- Main Unit

0.067 kg

---

# 9 Troubleshooting



## Warning

- Never remove the casing of this device.

To keep the warranty valid, never try to repair the system yourself. If you encounter problems when using this device, check the following points before requesting service. If the problem remains unsolved, go to the Philips web site ([www.philips.com/support](http://www.philips.com/support)). When you contact Philips, ensure that the device is nearby and the model number and serial number are available.

### No power

- When use build-in battery only, make sure that the power is sufficient.
- When use AC power plug, make sure that the plug is connected properly, and there is power at the AC outlet.

### No sound

- Fully insert your earphones.
- Adjust the volume.

### No response from the unit

- Turn off the unit and then turn on it again.

### Poor radio reception

- Increase the distance between your digital radio and your TV or VCR.
- Change the location.

# 10 About DAB

## **About Digital Audio Broadcasting (DAB)**

DAB digital radio is a new way of broadcasting radio via a network of terrestrial transmitters. It provides listeners with more choice and information delivered in crystal clear, crackle-free sound quality.

– The technology allows the receiver to lock on to the strongest signal it can find.

– With DAB digital stations there are no frequencies to remember, and sets are tuned by station name, so there's no returning on the move.

## **What is a multiplex?**

Digital radio operation is made up of a single block of frequencies called a multiplex. Each multiplex works within a frequency spectrum, such as Band III for DAB broadcasts.

## **DAB BROADCASTERS AND DLS**

Each DAB broadcaster (or multiplex operator) also provides text and audio data services. Some programs are supported by Dynamic Label Segments (DLS). This is data which you can read as scrolling text on your DAB radio display. Some stations transmit the latest news, travel, and weather; what's on now and next, website addresses and phone numbers.

For more information on digital radio coverage and services, please visit: [www.drdb.org](http://www.drdb.org).

**Philips Electronics Australia Limited and Philips New Zealand Limited  
Warranty against Defects**

In this warranty:

**We or us** means Philips Electronics Australia Limited ACN 008 445 743 or Philips New Zealand Limited (Company Number 1723), and our contact details are set out at the end of this warranty;

**You** means the purchaser or the original end-user of the Goods;

**Supplier** means the authorised distributor or retailer of the Goods that sold you the Goods in Australia or New Zealand; and

**Goods** means the product or equipment which was accompanied by this warranty and purchased in Australia or New Zealand.

If you require assistance with the operation of the product, its features or specifications please call the Philips Consumer Care Centre on 1300 363 391 in Australia or 0800 658 224 in New Zealand.

**Australia:** Our Goods come with guarantees that cannot be excluded under the Australian Consumer Law. You are entitled to a replacement or refund for a major failure and for compensation for any other reasonably foreseeable loss or damage. You are also entitled to have the Goods repaired or replaced if the goods fail to be of acceptable quality and the failure does not amount to a major failure. This is not a complete statement of your legal rights as a consumer.

**New Zealand:** Our Goods come with guarantees that cannot be excluded under the Consumer Guarantees Act 1993. This guarantee applies in addition to the conditions and guarantees implied by that legislation.

**Additional Warranty:**

In addition to the rights and remedies that you have under the Australian Consumer Law, Consumer Guarantees Act of New Zealand or any other applicable law, we provide the following warranty against defects:

1. If, during the first 12 months from their date of purchase from the Supplier (**Warranty Period**), the Goods prove defective by reason of improper workmanship or materials and none of your statutory rights or remedies apply, we will repair or replace the Goods without charge.
2. We do not have to repair or replace the Goods under this Additional Warranty if the Goods have been used for a commercial purpose; misused, improperly or inappropriately installed, operated or repaired; abused; damaged; or not maintained in accordance with the manufacturer's instructions.
3. Even when we do not have to repair or replace the Goods, we may decide to do so anyway. In some cases, we may decide to substitute the Goods with a similar alternative product of our choosing. All such decisions are at our absolute discretion.
4. All such repaired, replaced or substituted Goods continue to receive the benefit of this Additional Warranty for the time remaining on the original Warranty Period.
5. This Additional Warranty is limited to repair, replacement or substitution only. As far as the law permits, we will not be liable for any loss or damage caused to property or persons arising from any cause whatsoever.
6. In order to claim under this Additional Warranty you must telephone us on 1300 363 391 in Australia or 0800 658 224 in New Zealand within the Warranty Period. You will be asked for details of the Goods, a description of the defect and your personal details. Upon accepting your claim, we shall assist you with either returning the Goods to the Supplier for replacement or to the most convenient Philips Authorised Service Centre for your Goods to be repaired. In some cases we may require that you return to the Goods to us (at the address below) for repair, replacement or substitution.
  - \* All returned Goods must be accompanied by satisfactory proof of purchase which clearly indicates the name and address of the Supplier, the date and place of purchase and identifies product. It is best to provide a legible and unmodified receipt or sales invoice.
  - \* You must bear any expense for return of the Goods or otherwise associated with making your claim under this Additional Warranty.
7. This warranty is only valid and enforceable in Australia and New Zealand.

Contact us or the place of purchase for further details.

Philips Electronics Australia Limited  
Level 1, 65 Epping Rd,  
North Ryde, SYDNEY NSW 2113  
**Consumer Care:** 1300 363 391  
**E-mail:** [pceinfo.australia@philips.com](mailto:pceinfo.australia@philips.com)  
**Website:** [www.philips.com/support](http://www.philips.com/support)

Philips New Zealand Limited  
Level 2, 1 Nugent St,  
Grafton, AUCKLAND, 1023  
**Consumer Care:** 0800 658 224  
**Email:** [pceinfo.australia@philips.com](mailto:pceinfo.australia@philips.com)  
**Website:** [www.philips.com/support](http://www.philips.com/support)



© 2012 Koninklijke Philips Electronics N.V.

All rights reserved.

DA1200\_79\_CCR\_V1.0

