

Portable radio

AE2730

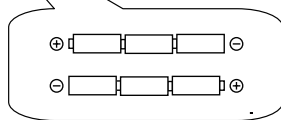
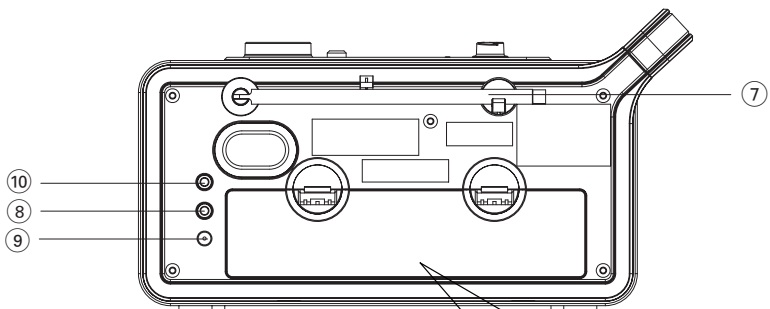
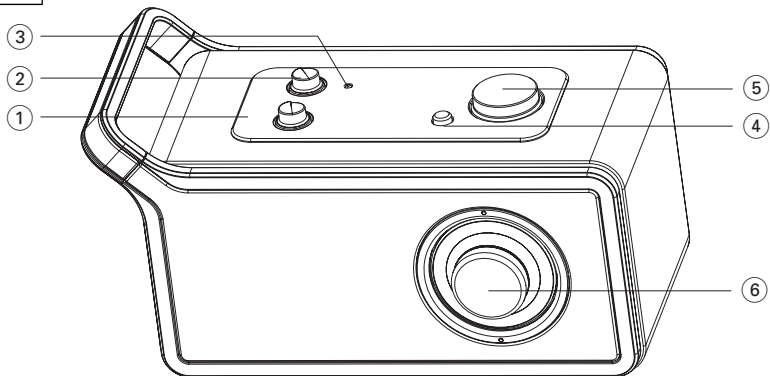
Register your product and get support at
www.philips.com/welcome

User manual



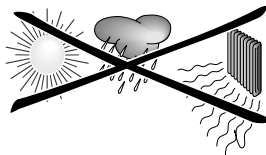
PHILIPS

1



6x1.5V R14/ UM2/ C CELL

2



Important notes for users in the U.K.

Mains plug

This apparatus is fitted with an approved 13 Amp plug. To change a fuse in this type of plug proceed as follows:

1. Remove fuse cover and fuse.
2. Fix new fuse which should be a BS1362 3 Amp, A.S.T.A. or BSI approved type.
3. Refit the fuse cover.

If the fitted plug is not suitable for your socket outlets, it should be cut off and an appropriate plug fitted in its place. If the mains plug contains a fuse, this should have a value of 3 Amp. If a plug without a fuse is used, the fuse at the distribution board should not be greater than 3 Amp.

Note: The severed plug must be disposed of to avoid a possible shock hazard should it be inserted into a 13 Amp socket elsewhere.

How to connect a plug

The wires in the mains lead are coloured with the following code: blue = neutral (N), brown = live (L). As these colours may not correspond with the colour markings identifying the terminals in your plug, proceed as follows:

- Connect the blue wire to the terminal marked N or coloured black.
- Connect the brown wire to the terminal marked L or coloured red.
- Do not connect either wire to the earth terminal in the plug, marked E (or e) or coloured green (or green and yellow).

Before replacing the plug cover, make certain that the cord grip is clamped over the sheath of the lead - not simply over the two wires.

Copyright in the U.K.

Recording and playback of material may require consent. See Copyright Act 1956 and The Performer's Protection Acts 1958 to 1972.

Congratulations on your purchase and welcome to Philips!

To fully benefit from the support that Philips offers, register your product at www.philips.com/welcome.


Supplied Accessories

- 1 x AC/DC certified switching adapter (Model No.: ED4120090060A, Input: 230V~ 50Hz, 70mA, Output: 9V, 600mA)
- Audio cable

Top & front panels (see)

- FM/MW selector**
 - selects FM/MW mode
- Source selector**
 - selects TUNER or AUX mode
 - switches off the set
- Indicator light**
 - indicates whether the set is on or off
- DBB**
 - switches DBB sound effect on or off
- VOLUME +/-**
 - adjusts volume level
- Tuning wheel**
 - tunes to an FM or MW station

Back panel (see)

- Telescopic antenna**
 - improves FM reception
-  **3.5 mm stereo headphone socket**
 - 3.5 mm stereo headphone socket
- DC jack**
 - inlet for power cord
- AUX IN**
 - inlet for external sound source

CAUTION

High voltage! Do not open. You run the risk of getting an electric shock. The machine does not contain any user-serviceable parts.

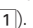
Modification of the product could result in hazardous radiation of EMC or other unsafe operation.

This set complies with the radio interference requirements of the European Union.

Power Supply

Whenever convenient, use the mains supply cord if you want to conserve battery life. Make sure you remove the plug from the set and wall outlet before inserting batteries.

Batteries (not included)

- Open the battery door and insert 6 batteries, type **R-14**, **UM-2** or **C-cells**, (preferably alkaline) with the correct polarity as indicated by the "+" and "-" symbols inside the compartment (See ) .
- Replace the battery door, making sure the batteries are firmly and correctly in place. The set is now ready to operate.
 - *Incorrect use of batteries can cause electrolyte leakage and will corrode the compartment or cause the batteries to burst:*
 - *Do not mix battery types: e.g. alkaline with carbon zinc. Only use batteries of the same type for the set.*
 - *When inserting new batteries, do not try to mix old batteries with the new ones.*
 - *Remove the batteries if the set is not to be used for a long time.*

Batteries contain chemical substances, so they should be disposed of properly.

Using AC power

- 1 Check if the power voltage, **as shown on the type plate located on the rear of the set**, corresponds to your local power supply. If it does not, consult your dealer or service center.
 - 2 Connect the supplied switching adapter to the wall socket and the DC jack on the set. The set is now ready to use.
 - 3 To switch the set off completely, withdraw the power cord from the wall socket.
- Install the unit near the AC outlet and where the power plug can be easily reached.
 - Disconnect the power cord from the wall socket to protect your set during heavy thunderstorms.
 - AC power cord is used as the disconnect device. It shall remain readily operable and should not be obstructed during intended use. To be completely disconnected the apparatus from supply mains, the power cord of the apparatus shall be disconnected from the mains socket outlet completely.

The type plate is located on the rear of the set.

General information

Antennas

- For **FM**, extend, incline and turn the telescopic antenna for best reception. Reduce its length if the signal is too strong.
- For **MW**, the set uses a built-in antenna. Direct this antenna for best reception by turning the whole set.

Connecting earphones

- You can connect headphones to the headphone socket.
→ The loudspeakers will then be switched off.

DBB sound effect

You can enhance bass by enabling DBB sound effect.

- To enable or disable DBB sound effect, press **DBB** button repeatedly.

Environmental information

All unnecessary packaging material has been omitted. The packaging can be easily separated into three materials: cardboard, polystyrene and plastic.

Your set consists of materials which can be recycled if disassembled by a specialized company. Please observe the local regulations regarding the disposal of packaging, dead batteries and old equipment.

Basic operation

- 1 Connect the supplied switching adapter to the wall outlet and the DC jack on the set or insert batteries as described in **Power Supply**.
 - Turn the source selector to **TUNER** to select tuner mode.
 - Turn the source selector to **AUX** to select AUX mode.
 - The indicator light is lit in the previous two modes.
 - Turn the source selector to **OFF** to switch off the set.
 - The indicator light is off.
- 2 To adjust volume, turn **VOLUME +/-**.

Switching on radio

- 1 Turn the source selector to **TUNER**.
- 2 Turn FM/MW selector to **FM** or **MW** to select FM or MW waveband.

Manual tuning

By using this feature, it is possible to manually tune to a specific channel frequency. In addition to antenna orienting for better radio reception, the optimum reception can also be obtained by using this feature.

- 1 In FM/MW mode, turn **TUNING wheel** to tune to stations.

Helpful hints:

- For FM waveband, a white point over the tuning wheel indicates the current FM frequency.
- For MW, a white point below the tuning wheel indicates the current MW frequency.

AUX IN

You can listen to the sound of the connected external device through your AE2730.

- 1 Turn source selector to **AUX** to select AUX mode.
- 2 To avoid noise distortion, turn down the volume on your external device.
- 3 To adjust the sound and volume, use the sound controls on your external device and AE2730.

Safety & Maintenance (See [2])

Safety & maintenance information

- Place the set on a flat, hard and stable surface so that the system does not tilt.
- Do not expose the set, batteries, CDs to humidity, rain, sand or excessive heat caused by heating equipment or direct sunlight.
- The apparatus shall not be exposed to dripping or splashing.
- Adequate ventilation with a minimum gap of 15cm (6 inches) between the ventilation holes and surrounding surfaces is necessary to prevent heat build-up.
- Do not cover the ventilation openings with items such as newspapers, table-cloths, curtains, etc.
- No objects filled with liquids, such as vases, shall be placed on the apparatus.
- No naked flame sources, such as lighted candles, should be placed on the apparatus.
- The mechanical parts of the set contain self-lubricating bearings and must not be oiled or lubricated.
- To clean the set, use a dry cloth. Do not use any cleaning agents containing alcohol, ammonia, benzene or abrasives as these may harm the housing.
- Excessive sound pressure from earphones and headphones can cause hearing loss.
- Battery shall not be exposed to excessive heat such as sunshine, fire or the like.

Hearing Safety

Listen at a moderate volume.

- Using headphones at a high volume can impair your hearing. This product can produce sounds in decibel ranges that may cause hearing loss for a normal person, even for exposure less than a minute. The higher decibel ranges are offered for those that may have already experienced some hearing loss.
- Sound can be deceiving. Over time your hearing "comfort level" adapts to higher volumes of sound. So after prolonged listening, what sounds "normal" can actually be loud and harmful to your hearing. To guard against this, set your volume to a safe level before your hearing adapts and leave it there.

To establish a safe volume level:

- Set your volume control at a low setting.
- Slowly increase the sound until you can hear it comfortably and clearly, without distortion.

Listen for reasonable periods of time:

- Prolonged exposure to sound, even at normally "safe" levels, can also cause hearing loss.
- Be sure to use your equipment reasonably and take appropriate breaks.

Be sure to observe the following guidelines when using your headphones.

- Listen at reasonable volumes for reasonable periods of time.
- Be careful not to adjust the volume as your hearing adapts.
- Do not turn up the volume so high that you can't hear what's around you.
- You should use caution or temporarily discontinue use in potentially hazardous situations.
- Do not use headphones while operating a motorized vehicle, cycling, skateboarding, etc.; it may create a traffic hazard and is illegal in many areas.

Troubleshooting

If a fault occurs, first check the points listed below before taking the set for repair.

If you are unable to remedy a problem by following these hints, consult your dealer or service centre.

WARNING: *Do not open the set as there is a risk of electric shock. Under no circumstances should you try to repair the set yourself, as this will invalidate the guarantee.*

Problem

- Possible cause
- Remedy

No sound /power

- Volume not adjusted
- Adjust the **VOLUME**.
- Power cord not securely connected
- Connect the AC power cord properly
- Batteries dead/ incorrectly inserted
- Insert (fresh) batteries correctly
- Headphones connected to the set
- Disconnect headphones.

Poor radio reception

- Weak radio signal
- For **FM**, extend, incline and turn the telescopic antenna for best reception. Reduce its length if the signal is too strong.
- For **MW**, the set uses a built-in antenna. Direct this antenna for best reception by turning the whole set.

Display does not function properly / No reaction to operation of any of the controls

- Electrostatic discharge
- Switch off and unplug the set. Reconnect after a few seconds.

Disposal of your old product

Your product is designed and manufactured with high quality materials and components, which can be recycled and reused.

When this crossed-out wheeled bin symbol is attached to a product it means the product is covered by the European Directive 2002/96/EC.

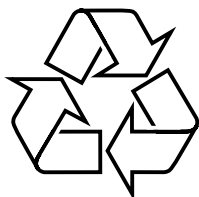


Please inform yourself about the local separate collection system for electrical and electronic products.

Please act according to your local rules and do not dispose of your old products with your normal household waste. The correct disposal of your old product will help prevent potential negative consequences for the environment and human health.

Meet Philips at the Internet
<http://www.philips.com>

English



AE2730



Printed in China

PDCC-ZC-0743