

# Always there to help you

Register your product and get support at  
[www.philips.com/support](http://www.philips.com/support)

DS1600



## User manual

# PHILIPS



# Contents

---

<b>1</b>	<b>Important</b>	<b>2</b>
	Safety	2
	Notice	2

---

<b>2</b>	<b>Your Docking Speaker</b>	<b>3</b>
	Introduction	3
	What's in the box	3
	Overview of the main unit	4

---

<b>3</b>	<b>Get started</b>	<b>5</b>
	Connect power	5
	Turn on	5

---

<b>4</b>	<b>Play</b>	<b>6</b>
	Play audio from iPod/ iPhone/ iPad	6
	Play through an audio cable	7
	Other features	8
	Update the firmware	9

---

<b>5</b>	<b>Product information</b>	<b>10</b>
	Specifications	10

---

<b>6</b>	<b>Troubleshooting</b>	<b>11</b>
----------	------------------------	-----------

# 1 Important

## Safety

Only use attachments/accessories specified by the manufacturer.

Use only power supplies listed in the user manual.

The product shall not be exposed to dripping or splashing.

Do not place any sources of danger on the product (e.g. liquid filled objects, lighted candles).

Where the plug of the Direct Plug-in Adapter is used as the disconnect device, the disconnect device shall remain readily operable.

### Warning

- Never remove the casing of this apparatus.
- Never lubricate any part of this apparatus.
- Never place this apparatus on other electrical equipment.
- Keep this apparatus away from direct sunlight, naked flames or heat.
- Make sure that you always have easy access to the power cord, plug, or adaptor to disconnect the apparatus from the power.

## Notice

Any changes or modifications made to this device that are not expressly approved by Gibson Innovations may void the user's authority to operate the equipment.



This product complies with the radio interference requirements of the European Community.



Your product is designed and manufactured with high quality materials and components, which can be recycled and reused.



When this crossed-out wheeled bin symbol is attached to a product it means that the product is covered by the European Directive 2002/96/EC.

Please inform yourself about the local separate collection system for electrical and electronic products.

Please act according to your local rules and do not dispose of your old products with your normal household waste. Correct disposal of your old product helps to prevent potential negative consequences for the environment and human health.

### Environmental information

All unnecessary packaging has been omitted. We have tried to make the packaging easy to separate into three materials: cardboard (box), polystyrene foam (buffer) and polyethylene (bags, protective foam sheet.)

Your system consists of materials which can be recycled and reused if disassembled by a specialized company. Please observe the local regulations regarding the disposal of packaging materials, exhausted batteries and old equipment.



The making of unauthorized copies of copy-protected material, including computer programs, files, broadcasts and sound recordings, may be an infringement of copyrights and constitute a criminal offence. This equipment should not be used for such purposes.



“Made for iPod,” “Made for iPhone,” and “Made for iPad” mean that an electronic accessory has been designed to connect specifically to iPod, iPhone, or iPad, respectively, and has been certified by the developer to meet Apple performance standards. Apple is not responsible for the operation of this device or its compliance with safety and regulatory standards. Please note that the use of this accessory with iPod, iPhone, or iPad may affect wireless performance.

iPod and iPhone are trademarks of Apple Inc., registered in the U.S. and other countries. iPad is a trademark of Apple Inc.

**Class II equipment symbol:**



CLASS II apparatus with double insulation, and no protective earth provided.

#### Note

- The type plate is located on the bottom of the apparatus.

## 2 Your Docking Speaker

Congratulations on your purchase, and welcome to Philips! To fully benefit from the support that Philips offers, register your product at [www.philips.com/support](http://www.philips.com/support).

---

### Introduction

With **DS1600**, you can:

- enjoy audio from your iPod/iPhone/iPad;
- enjoy audio from an external audio device;
- charge any generation of iPod/iPhone/iPad and external audio devices.

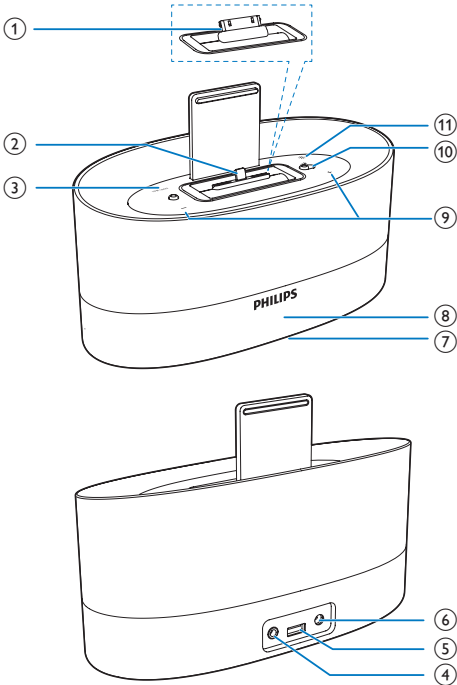
---

### What's in the box

Check and identify the contents of your package:

- Main unit
- 1 x AC adaptor
- Short user manual
- Safety and notice

## Overview of the main unit



- ⑧ Display panel
- ⑨ + / -
  - Adjust volume.
- ⑩ Toggle switch for lightning/30-pin control
- ⑪ \* ☀
  - Adjust brightness of display and bottom light.

- ① 30-pin connector
- ② Lightning connector
- ③ TIME/DATE
  - Display time and date.
  - Set time and date format.
  - Set time manually.
- ④ AUDIO IN
  - Audio input connector for connecting an external audio device.
- ⑤ POWER OUT
  - USB socket for charging your mobile phone.
- ⑥ DC IN
  - AC power connector for the supplied AC power adapter.
- ⑦ Bottom light

# 3 Get started

Always follow the instructions in this chapter in sequence.

---

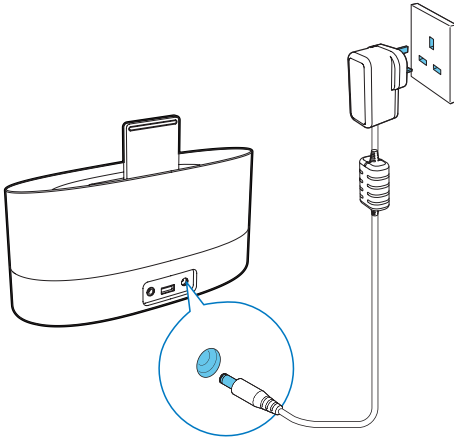
## Connect power

### ! Caution

- Risk of product damage! Make sure that the power supply voltage corresponds to the voltage printed on the back of the unit.
- Risk of electric shock! When you unplug the AC adapter, always pull the plug from the socket. Never pull the cord.

Connect the AC power adapter to:

- the power socket at the back of the docking speaker.
- the wall power outlet.



---

## Turn on

In standby mode, the docking speaker turns on automatically when it detects an audio signal from docked iPod/iPhone.

---

## Switch to standby mode

**DS1600** switches to standby mode in the following situations:

- **In dock mode:** no audio signal from the docked iPod/iPhone/iPad over 15 minutes.
- **In AUDIO IN mode:** no audio signal detected over 15 minutes.

# 4 Play

## Play audio from iPod/ iPhone/ iPad

You can enjoy audio from iPod/ iPhone/ iPad by connecting **DS1600**.

### Compatible iPod/ iPhone/ iPad

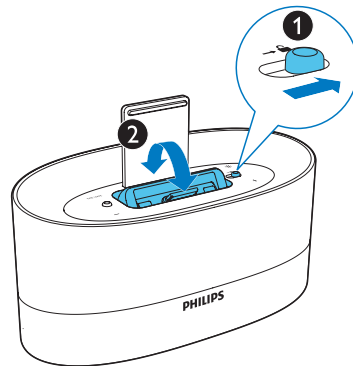
The docking system supports the following iPod/ iPhone/ iPad models.

- iPod/ iPhone/ iPad models with a lightning connector:
  - iPod nano 7th generation
  - iPod touch 5th generation
  - iPhone 6 Plus
  - iPhone 6
  - iPhone 5s
  - iPhone 5c
  - iPhone 5
  - iPad mini 3
  - iPad mini with Retina display
  - iPad mini
  - iPad Air 2
  - iPad Air
  - iPad (4th generation)
- iPod/ iPhone/ iPad models with a 30-pin connector:
  - iPod classic
  - iPod touch (2nd, 3rd, 4th generation)
  - iPod with video
  - iPod nano (1st, 2nd, 3rd, 4th, 5th, and 6th generation)
  - iPod with color display
  - iPod mini
  - iPhone 4s
  - iPhone 4
  - iPhone 3GS
  - iPhone 3G
  - iPad (3rd generation)
  - iPad 2
  - iPad

### Switch the dock

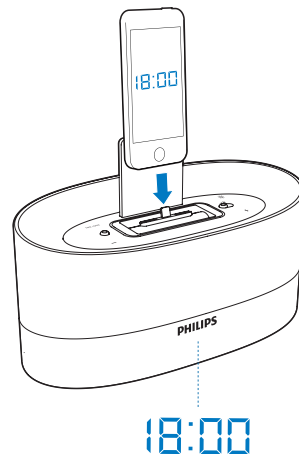
Switch the dock between the lightning connector and 30-pin connector for different generation of Apple device.

- 1 Slide the →🔒 switch to the right.
  - ↳ The dock swivels and the alternate connector is accessible.
- 2 Select your desired connector and press down until a click sound.
  - The →🔒 switch slides to the left.



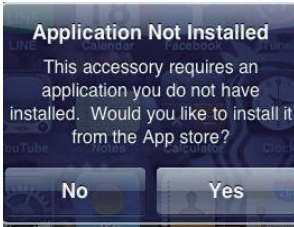
### Load the iPod/ iPhone/ iPad

- 1 Connect your iPod/ iPhone/ iPad to the dock connector:





- 2 When using **DS1600** for the first time, a required software application automatically pops up.

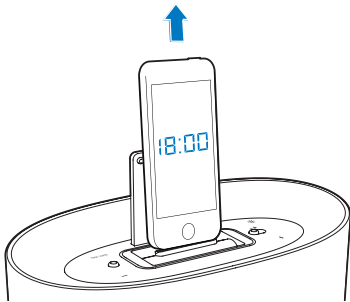


- 3 Tap **[Yes]** (yes) to accept the installation request.
- 4 Follow the on-screen instructions to complete the installation.  
↳ **DS1600** synchronizes time and date from the docked iPod/iPhone/iPad.

### Remove the iPod/ iPhone/ iPad

#### To remove the iPod/ iPhone/ iPad

- Pull your iPod/ iPhone/ iPad out of the dock.



#### Tip

- When placing or removing the iPod/ iPhone/ iPad, hold the iPod/ iPhone/ iPad at the same angle as that of the connector of **DS1600**.
- Before disconnecting the iPod/ iPhone/ iPad, pause the audio play.

## Listen to the iPod/ iPhone/ iPad

### Note

- Make sure that the iPod/ iPhone/ iPad is loaded correctly.
- Start music play in your iPod/ iPhone/ iPad.  
↳ You can hear music from **DS1600**.

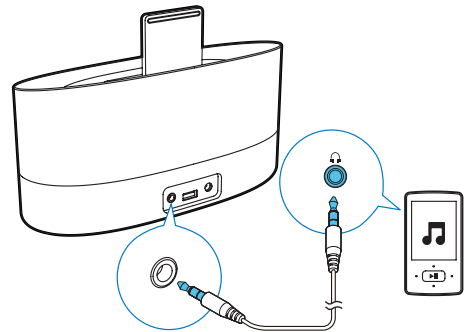
## Charge the iPod/ iPhone/ iPad

When the docking speaker is connected to power, the docked iPod/ iPhone/ iPad charges automatically.

## Play through an audio cable

Through an MP3 link cable, you can also play on **DS1600** from an external audio device, such as an MP3 player.

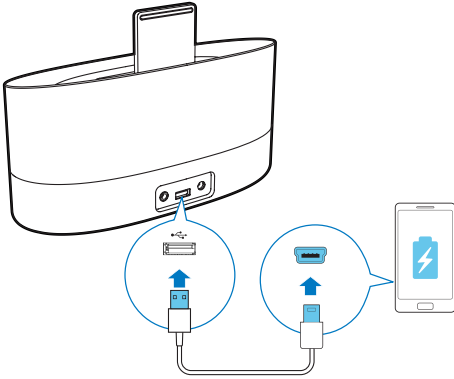
- 1 Use an MP3 link cable to connect **DS1600** with an external audio device.
- 2 On **DS1600**, do the following:
  - Make sure that you have paused the music on your iPod/ iPhone/ iPad docked on **DS1600**.
- 3 On the external audio device, start music play and change the volume.



---

## Charge your mobile phone

Charge your mobile phone through the USB socket in **DS1600** with a USB cable (not supplied).



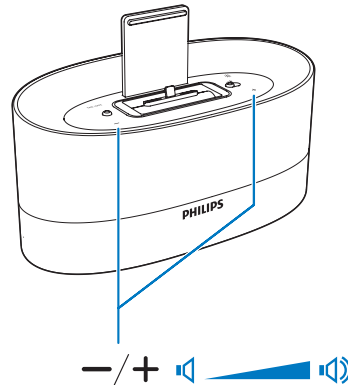
**B:** If no iPod/ iPhone/ iPad is docked, you can set time manually.

- 1 In standby mode, press **TIME/DATE** to display [--:--].
- 2 Press and hold **TIME/DATE** for 2 seconds to activate time setting.  
↳ The hour digits blink.
- 3 Press **+/-** repeatedly to set the hour.
- 4 Press **TIME/DATE** to confirm.  
↳ The minute digits blink.
- 5 Repeat steps 3 and 4 to set the minute.

---

## Adjust volume

During play, press **+/-** repeatedly to increase or decrease the volume.



---

## Other features

### Set time and date

**A:** If an iPod/ iPhone/ iPad is docked, the speaker synchronizes time and date with the iPod/ iPhone/ iPad automatically. In this case, you can set time and date format.



To set time format:

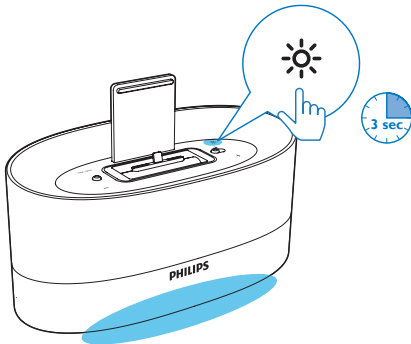
- 1 In standby mode, press **TIME/DATE** to display time.
- 2 Press and hold **TIME/DATE** for 2 seconds to select 12 or 24 hour format.
- 3 Press **TIME/DATE** to confirm.

To set date format:

- 1 In standby mode, press **TIME/DATE** to display date.
- 2 Press and hold **TIME/DATE** for 2 seconds to select **[MONTH--DAY]** or **[DAY--MONTH]** display mode.
- 3 Press **TIME/DATE** to confirm.

## Adjust brightness

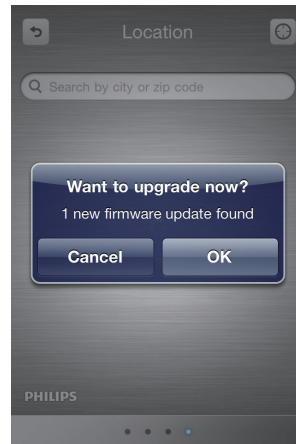
- Press  repeatedly to select different levels of display light.
- Press and hold  to turn on or off the bottom light.



## Update the firmware

With the **ClockStudio** app on your iPod/ iPhone/ iPad, you can update the firmware of **DS1600**.

- 1 Make sure that your iPod/ iPhone/ iPad is connected to the Internet.
- 2 Mount the iPod/ iPhone/ iPad onto the lightning dock of **DS1600**.
  - ↳ **ClockStudio** starts to search for available firmware update.
  - ↳ When the firmware update is available, a message is displayed.



- 3 Follow onscreen instructions to complete firmware updating.

### Note

- During the firmware updating, keep the iPod/ iPhone/ iPad powered on and docked on **DS1600**.

# 5 Product information



## Note

- Product information is subject to change without prior notice.

iPod/iPhone Charging current	$\leq 2100$ mA
------------------------------	----------------

Dimensions:	
- Main Unit (W x H x D)	225 x 149 x 96 mm

Weight:	
- Main Unit	0.83 kg

## Specifications

### Amplifier

Max. Output Power	2 X 2.5 W RMS
-------------------	---------------

Frequency Response	125 - 16000 Hz, $\pm 3$ dB
--------------------	-------------------------------

Signal to Noise Ratio	$>55$ dB
-----------------------	----------

Total Harmonic Distortion	$< 1\%$
---------------------------	---------

MP3 Link Input	650mV RMS
----------------	-----------

### Amplifier

Speaker Impedance	4 ohm
-------------------	-------

Speaker Driver	1.5"
----------------	------

### General information

AC/DC switching adapter	Model: AS250-050-AI400 Input: 100-240 V~, 50/60 Hz, 1.2 A; Output: 5 V $\equiv$ 4 A
-------------------------	---

Operation Power Consumption	$< 23$ W
-----------------------------	----------

Standby Power Consumption	$< 1$ W
---------------------------	---------

USB Charging voltage	DC 5 V
----------------------	--------

USB Charging current	$\leq 1000$ mA
----------------------	----------------

iPod/iPhone Charging voltage	DC 5 V
------------------------------	--------

# 6 Troubleshooting



## Warning

- Never remove the casing of this device.

To keep the warranty valid, never try to repair the system yourself.

If you encounter problems when using this device, check the following points before requesting service. If the problem remains unsolved, go to the Philips Web page ([www.philips.com/support](http://www.philips.com/support)). When you contact Philips, make sure that the device is nearby and the model number and serial number are available.

### No power

- Make sure that the AC power plug of the unit is connected properly.
- Make sure that there is power at the AC outlet.

### No sound or poor sound

- Adjust the volume of your docking speaker or your iPod/iPhone.

### No response from the unit

- Disconnect and reconnect the AC power plug.



2015 Gibson Innovations Limited. All rights reserved.

This product has been manufactured by, and is sold under the responsibility of Gibson Innovations Ltd., and Gibson Innovations Ltd. is the warrantor in relation to this product.

Philips and the Philips Shield Emblem are registered trademarks of Koninklijke Philips N.V. and are used under license from Koninklijke Philips N.V.

DS1600\_05\_UM\_V3.0

