

Quick Start Guide



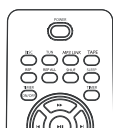
Step A *Connect*

Step B *Setup*

Step C *Enjoy*

What's in the Box?

You should find these items upon opening the box.



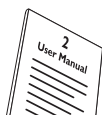
Remote Control



1 x MP3 link cable



Quick Start Guide



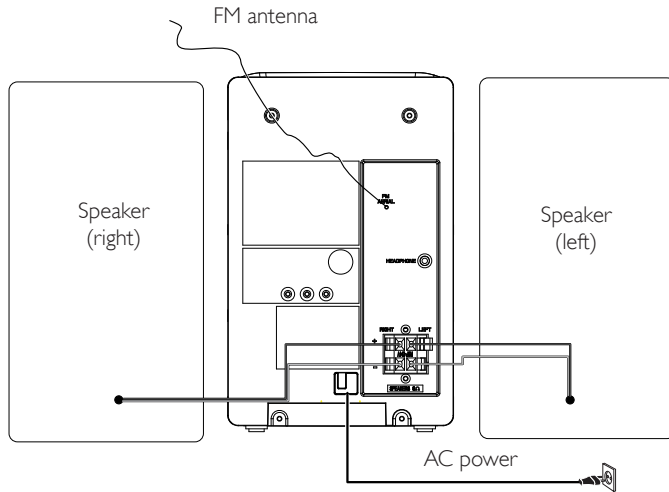
User Manual

PHILIPS

Step A *Connect*

- 1 Connect the speaker cables.
- 2 Connect the AC power cord to the wall socket.

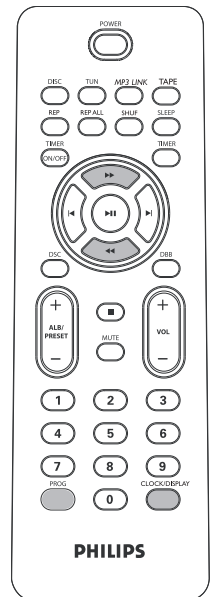
Tip
See the *User Manual* for how to connect other equipment to this system.



Step B *Setup*

Set clock

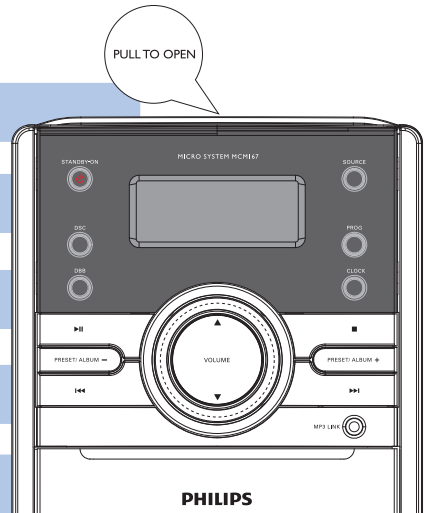
- 1 Press and hold **CLOCK** (or **CLOCK/DISPLAY** on the remote control) to activate the clock setting mode.
- 2 Press **PROG** repeatedly to select 12 hour or 24 hour format.
- 3 Press **CLOCK** (or **CLOCK/DISPLAY** on the remote control) to confirm.
→ The hour digits are displayed and begin to blink.
- 4 Press **◀/▶** (or **◀/▶** on the remote control) to set the hour.
- 5 Press **CLOCK** (or **CLOCK/DISPLAY** on the remote control) to confirm.
→ The minute digits are displayed and begin to blink.
- 6 Press **◀/▶** (or **◀/▶** on the remote control) to set the minute.
- 7 Press **CLOCK** (or **CLOCK/DISPLAY** on the remote control) to confirm.



Step C Enjoy

Play disc

- 1 Press **SOURCE** (or **DISC** on the remote control) to select the disc source.
- 2 Lift the lid of the CD compartment.
- 3 Insert a disc with the printed side facing up, then close the disc tray.
- 4 Press **▶||** to start play.
- 5 To stop play, press **■**.

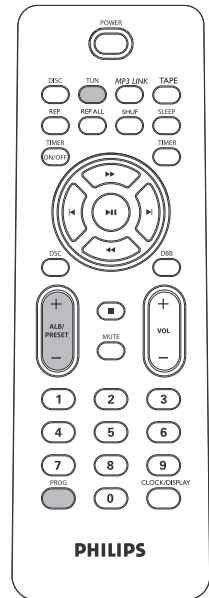


Listen to radio

- 1 Press **SOURCE** (or **TUN** on the remote control) repeatedly to select FM or MW.
- 2 Press **PROG** for more than two seconds to program all available stations in order of wave-band.
- 3 Press **PRESET/ALBUM +/-** (or **ABL/PRESET +/-** on the remote control) to select a preset number.

Tip

Detailed playback features and additional functions are described in the accompany owner's manual.



© Royal Philips Electronics N.V. 2009
All rights reserved.

<http://www.philips.com>



PDCC-JH/ZYL-0908