

Quick Start Guide

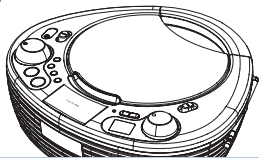


Step A *Connect*

Step B *Enjoy*

What's in the Box?

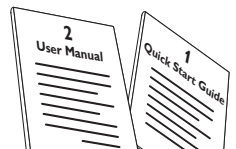
You should find these items upon opening the box.



1 x Main unit



1 x AC power cable

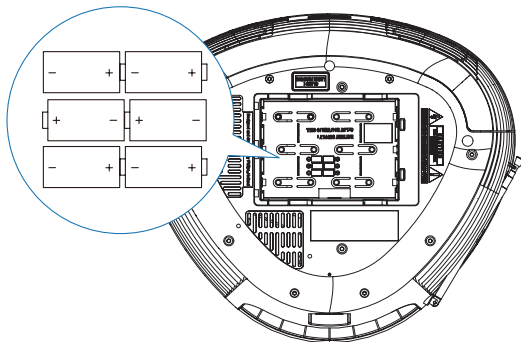


Quick Start Guide
User Manual

Step A *Connect*

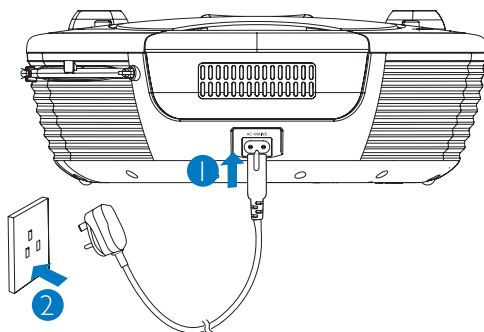
Install batteries

- 1 Open the battery compartment.
- 2 Insert 6 batteries (type: R14/ UM2/ C-cells) with correct polarity (+/-) as indicated.
- 3 Close the battery compartment.



Connect power

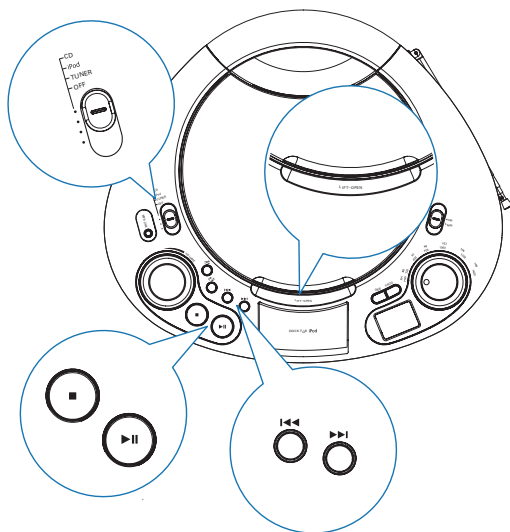
- 1 Connect the power cord to the **AC MAINS** jack on the unit.
- 2 Connect the power cord to the power supply socket.



Step B *Enjoy*

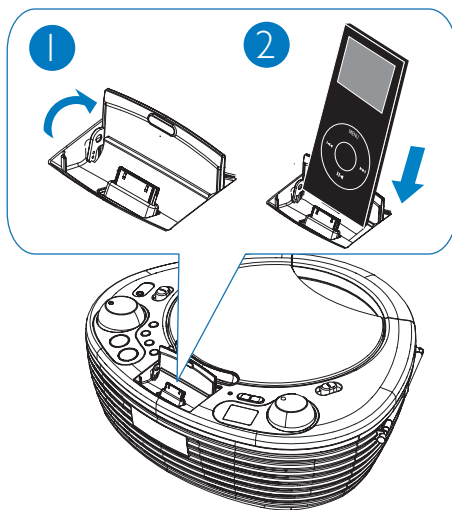
Play disc

- 1 Push the source selector to **CD**.
- 2 Lift to open the disc compartment.
- 3 Insert a disc with the printed side facing up, then close the disc compartment.
- 4 Press **▶ ||** to start play.
- 5 To pause/resume play, press **▶ ||**.
To stop play, press **■**.
To select another track, press **◀▶**.
To search within a track, press and hold **◀▶**, then release to resume normal play.



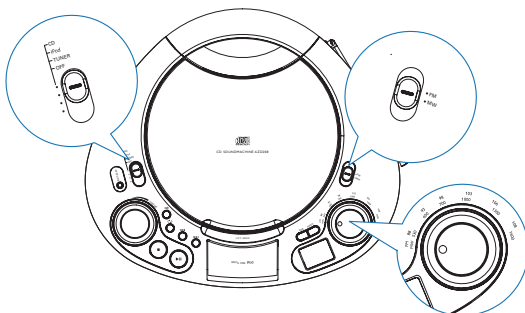
Play from iPod

- 1 Lift to open the dock for iPod.
- 2 Place the iPod player in the dock.
- 3 Push the source selector to iPod.
- 4 To pause/resume play, press **▶||**.
To skip to a track, press **◀▶▶**.
To search during play, press and hold **◀▶▶**, then release to resume normal play.



Listen to radio

- 1 Push the source selector to **TUNER**.
- 2 Push the band selector to **FM** or **MW**.
- 3 Turn **TUNING** to tune to a station.



Tip

Detailed play features and additional functions are described in the supplied user manual.



© Royal Philips Electronics N.V. 2010
All rights reserved.

<http://www.philips.com>

