

Portable VCD MP3-CD Player

6301

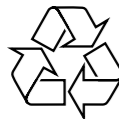


PHILIPS

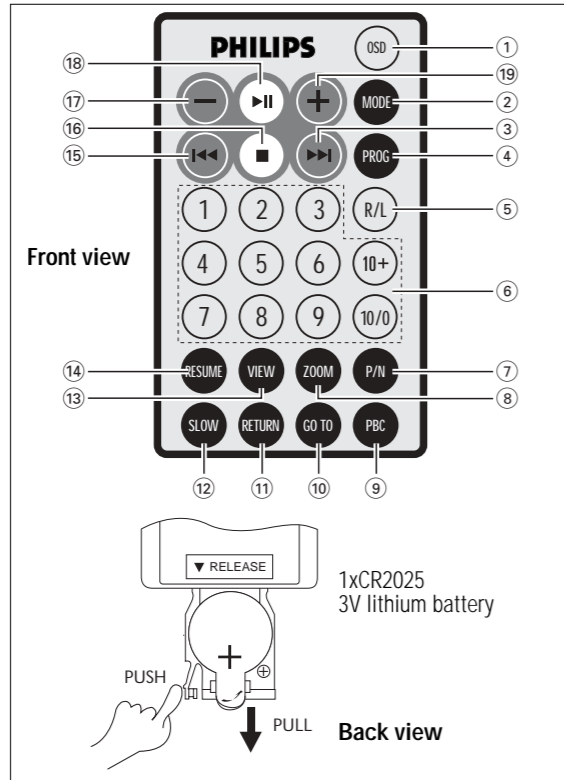
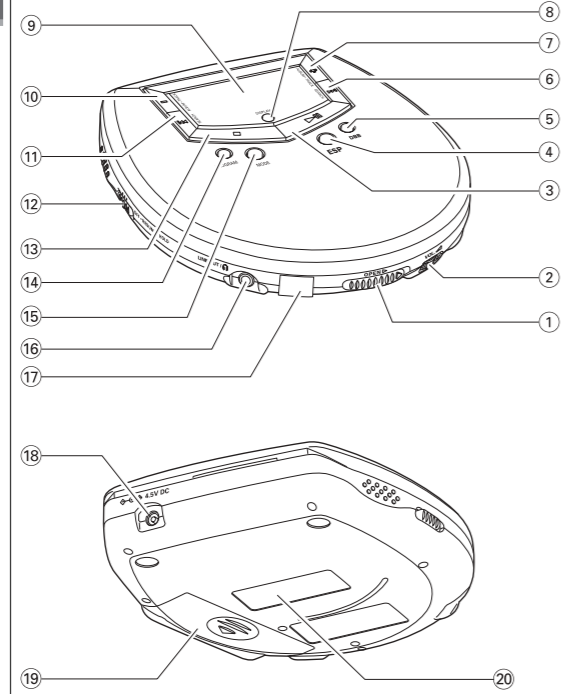
Meet Philips at the Internet
http://www.philips.com

English

中文



AX6301



NM/JW 0418

GENERAL INFORMATION

GENERAL INFORMATION

GENERAL INFORMATION/FEATURE

FEATURES

FEATURES

FEATURES

TROUBLESHOOTING

NEW ZEALAND

Maintenance
Do not touch the lens (A) of the player.
Do not expose the unit, batteries or discs to humidity, rain, sand or excessive heat...
You can clean the player with soft, slightly dampened and lint-free cloth...
To clean the CD, wipe it in a straight line from the center toward the edge using soft, lint-free cloth...
Active mobile phones in the vicinity may cause malfunctions.

General MP3 information
MP3 music files
The music compression technology MP3 (MPEG Audio Layer 3) reduces the digital data of an audio CD significantly while maintaining CD-like sound quality...
How to get music files
Either download legal music files from the Internet to your computer hard disc or create them from your own audio CDs...
How to organize music files
In order to easily handle the large number of music files on a CD-ROM, you can organize them in folders ("albums").

Volume and sound
Volume adjustment
Adjust the volume by using the volume control VOL.
Sound adjustment
Press DBB for a moderate bass enhancement.
Press DBB again to switch off the bass enhancement.
Press DBB again to switch off the bass enhancement.
Press DBB again to switch off the bass enhancement.

Selecting and searching on all discs
Selecting a track during playback
Briefly press << or >> once or several times to skip to the beginning of the previous or subsequent track.
Searching for a passage during CD playback
Keep << or >> pressed to find a particular passage in a backward or forward direction.
Selecting albums and tracks on MP3-CDs
Selecting an album during playback
Briefly press - or + once or several times to skip to the first track of the current, previous or subsequent album.
Selecting a track during playback
Briefly press << or >> once or several times to select previous or subsequent tracks within the current album.

RESUME and HOLD
You can interrupt playback and continue (after a short while at the stop position only) from the position where playback has stopped (RESUME).
RESUME - continuing from where you have stopped
Switch the slider to RESUME during playback to activate RESUME.
HOLD - locking all buttons
Switch the slider to HOLD to activate HOLD.

Programming track numbers
You can select up to 20 tracks and store them in the memory in a desired sequence.
1 In the stop mode, press PROGRAM on the set or PROG on the remote control.
2 Press P on the set or press P on the remote control to store the track.

Accessories
Headphones, HE035
Mains adapter, AY3193
Wireless remote control, AY3788
AV cable, AY3484
Headphones (HE035)
Connect the supplied headphones to LINE OUT/G.

General MP3 information
How to make a CD-ROM with MP3 files
Use your computer's CD burner to record ("burn") music files from your hard disk on a CD-ROM.
Supported formats
This set supports:
Video CD V1.0, Video CD V2.0
ISO-9660, ISO-9660-Joliet, Joliet, Packet writing
MP3 bit rate: 32-320 kbps and variable bit rate (VBR)

Selecting tracks using the number digits
Press number buttons 0-9 on the remote control to select your desired track.
Searching VCDs at different fast / slow speeds during playback
Press + once or several times to select your desired forwarding speed.

Playing tracks repeatedly or in a random order - MODE
Press MODE once or several times to select the desired playback possibility.
ESP - Electronic Skip Protection
The ESP duration is 120 seconds for CD playback, 400 seconds for MP3 disc playback and 30 seconds for VCD playback.

Clearing the program
You can clear the program by pressing + again in the stop mode.
Remote control does not work
Remove obstacle between the remote control and the player, and point directly instead of at a wide angle at the infrared sensor on the player.

Picture CD cannot be played
Make sure that the picture CD is JPEG VGA format (640x480 pixels).

WARNING: Under no circumstances should you try to repair the set yourself as this will invalidate the guarantee.
If a fault occurs, first check the points listed below before taking the set for repair.
Problems
No sound/power
Check if the player is connected securely.
The player feels very warm
When the player is in use for a long period of time, the surface will be heated.

How to claim
Should your Philips product fail within the guarantee period, please return it to the retailer from whom it was purchased.
The Guarantee Controller
Philips New Zealand Ltd.
P.O. Box 41 021
Auckland

English CONTROLS
Controls
1 OPEN - to open the VCD MP3 CD lid
2 VOL - to adjust the volume
3 P/B - to switch the player on, start playback and interrupt playback

POWER SUPPLY/GENERAL INFORMATION
Batteries (not included)
Opening batteries
Open the battery compartment and insert 2 alkaline batteries of type AA (LR6 UMH).

PLAYBACK
Playing a disc
With this set, you can play video discs (pre-recorded audio CDs, finalized audio CDs and CD-RWs)
MP3-CDs (CD-ROMs with MP3 files)
For VCD playback, you need to connect the player to your TV (see Connecting to your TV system)

FEATURES
Special features for VCD playback only
Adjusting your TV System
Before viewing the Video CD, ensure that the set is switched to the corresponding PAL or NTSC system of your TV set (except multi-system TV).

FEATURES
Return
If you want to return to MENU PLAY (the main menu at the beginning of your VCD) during SEQUENCE PLAY, press RETURN.

AUSTRALIA
Philips 3 years Manufacturers Warranty for Australia only
These warranty conditions are valid for the following consumer electronics products: Colour Televisions, Video Cassette Recorders, CD Players and Recorders, DVD Players and Recorders, Audio Systems and Portable Audio.

Remote Control
1 OSD - (for CD and VCD) to display the current track number and remaining / elapsed playing time.
2 MODE - to select the playback options: REPEAT 1, REPEAT ALL, SCAN and SHUFFLE.

TV connection
Connecting to your TV System
Use the supplied AV cable to connect the player to your TV system. To ensure uninterrupted viewing, we recommend you use AC mains power for your player during VCD operation.

Pause
1 Press P/B to interrupt playback.
2 Press P/B again to resume playback.
TIP:
If the set stays in the PAUSE mode for more than 90 seconds, it will enter the STOP mode automatically.

DISPLAY features for VCD, CD and MP3-CD
During normal playback, you can press OSD on the remote control or P/B on the set repeatedly to select your desired display.

Zoom
1 Press ZOOM on the remote control once to enlarge the picture by 2 times.
2 Press ZOOM again to quit the zoom feature.
Slow
Select from 4 speeds to capture action in slow motion: 1/2, 1/4, 1/8, and 1/16.

Philips Consumer Electronics Australia Limited
Level 2, 65 Epping Road NORTH RYDE NSW 2113
3 year Warranty valid for all new products purchased after 1st July 2002

CAUTION
Use of controls or adjustments or performance of procedures other than herein may result in hazardous radiation exposure or other unsafe operation.