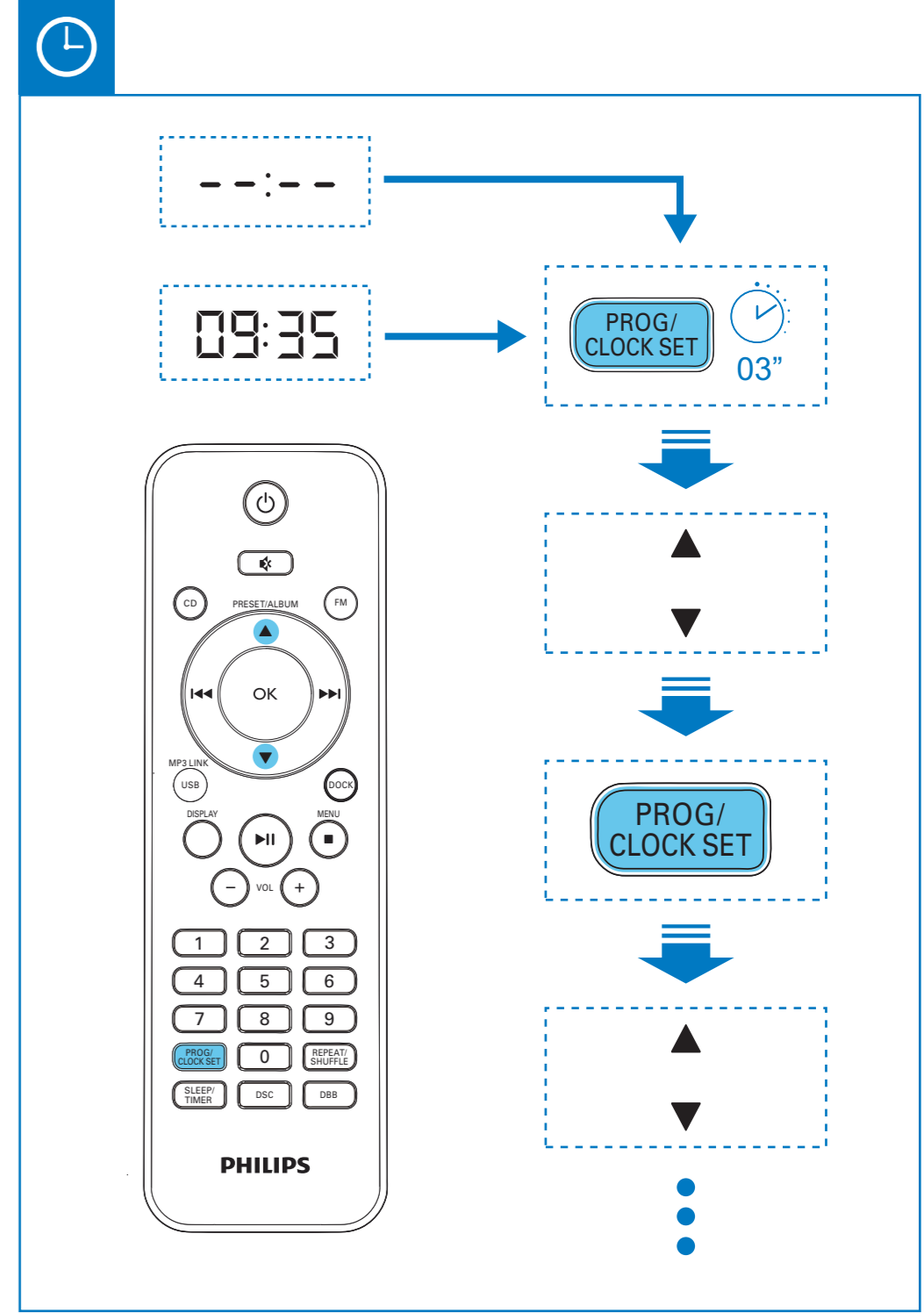
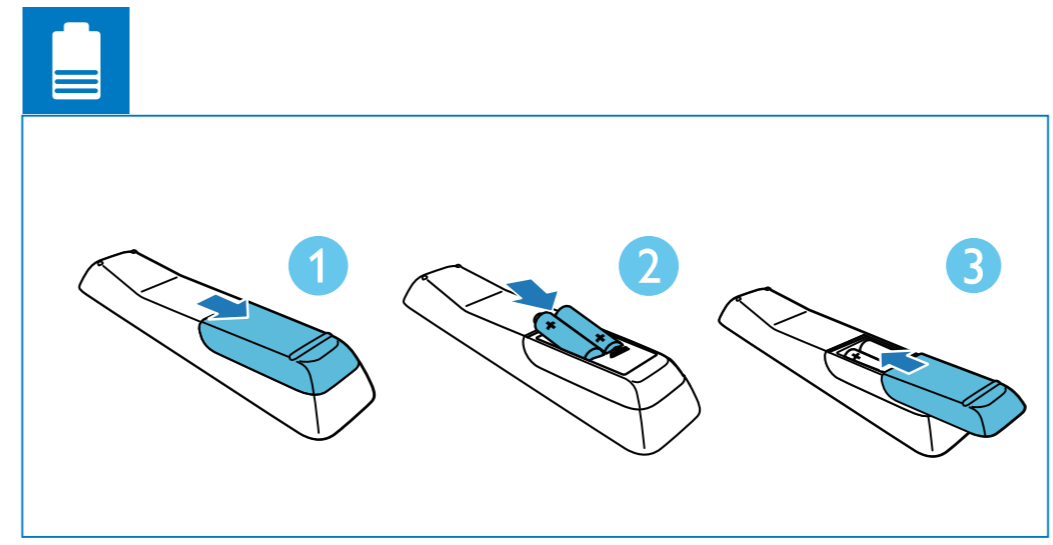
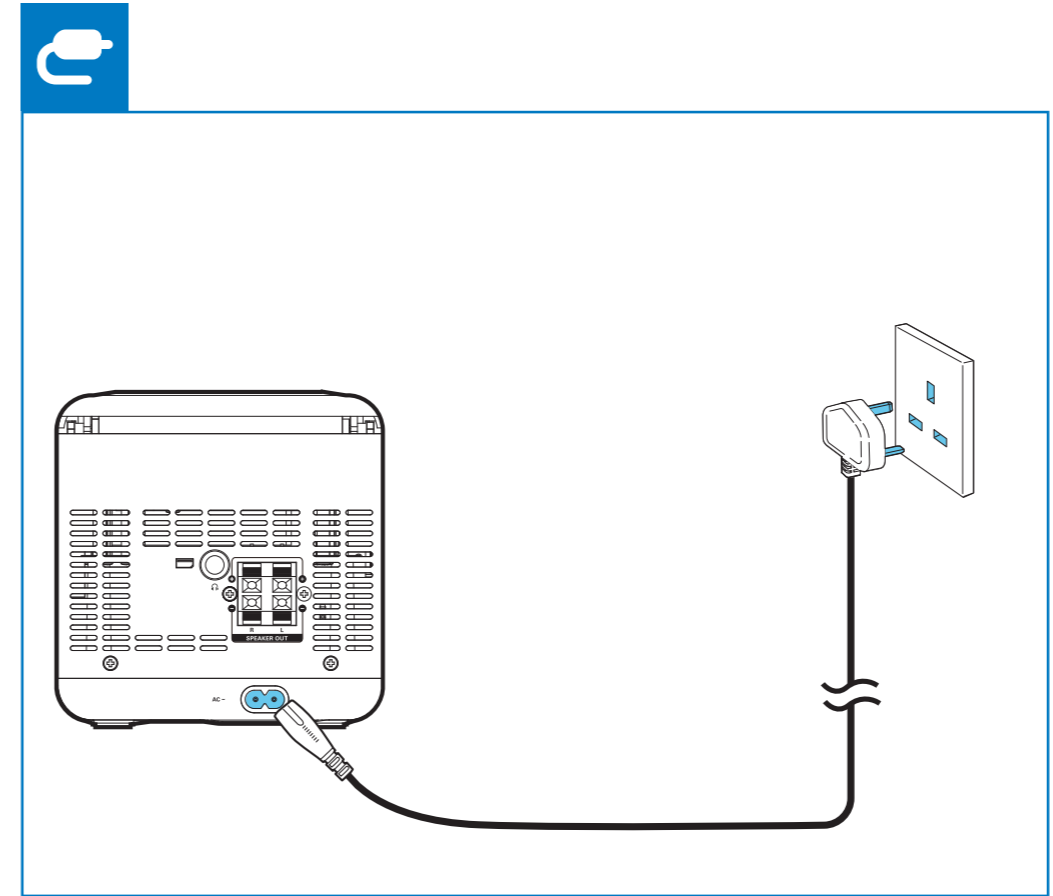
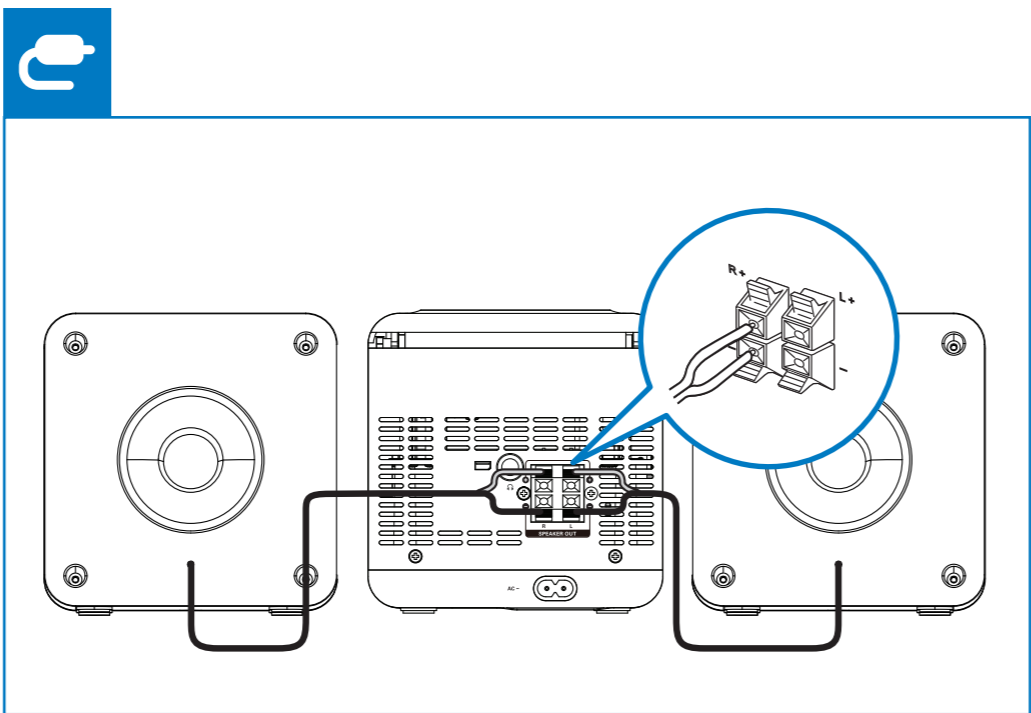
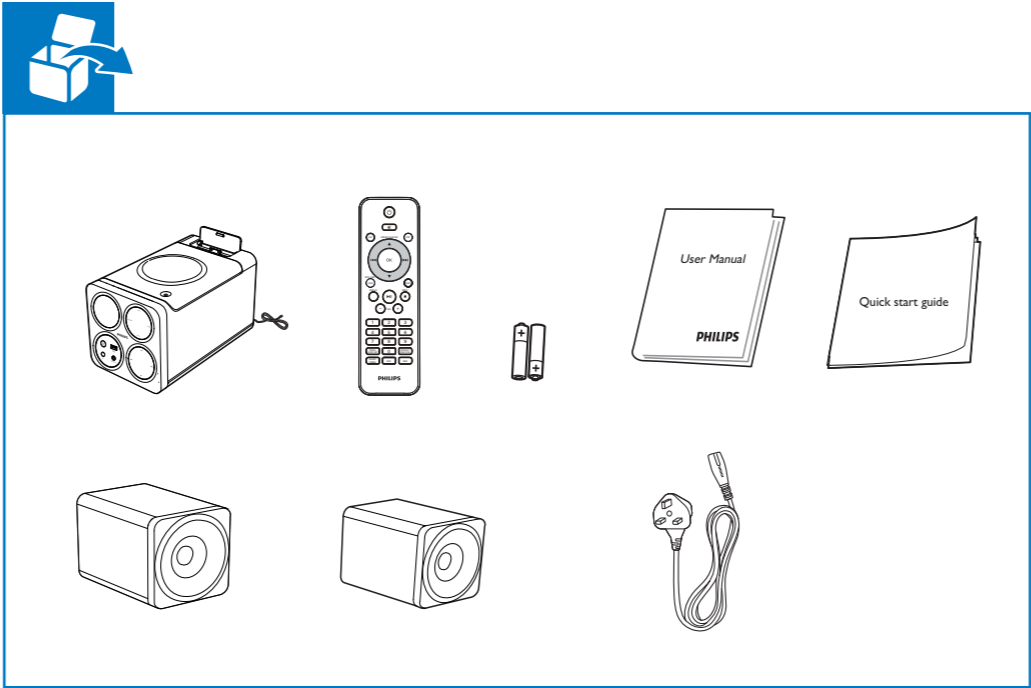


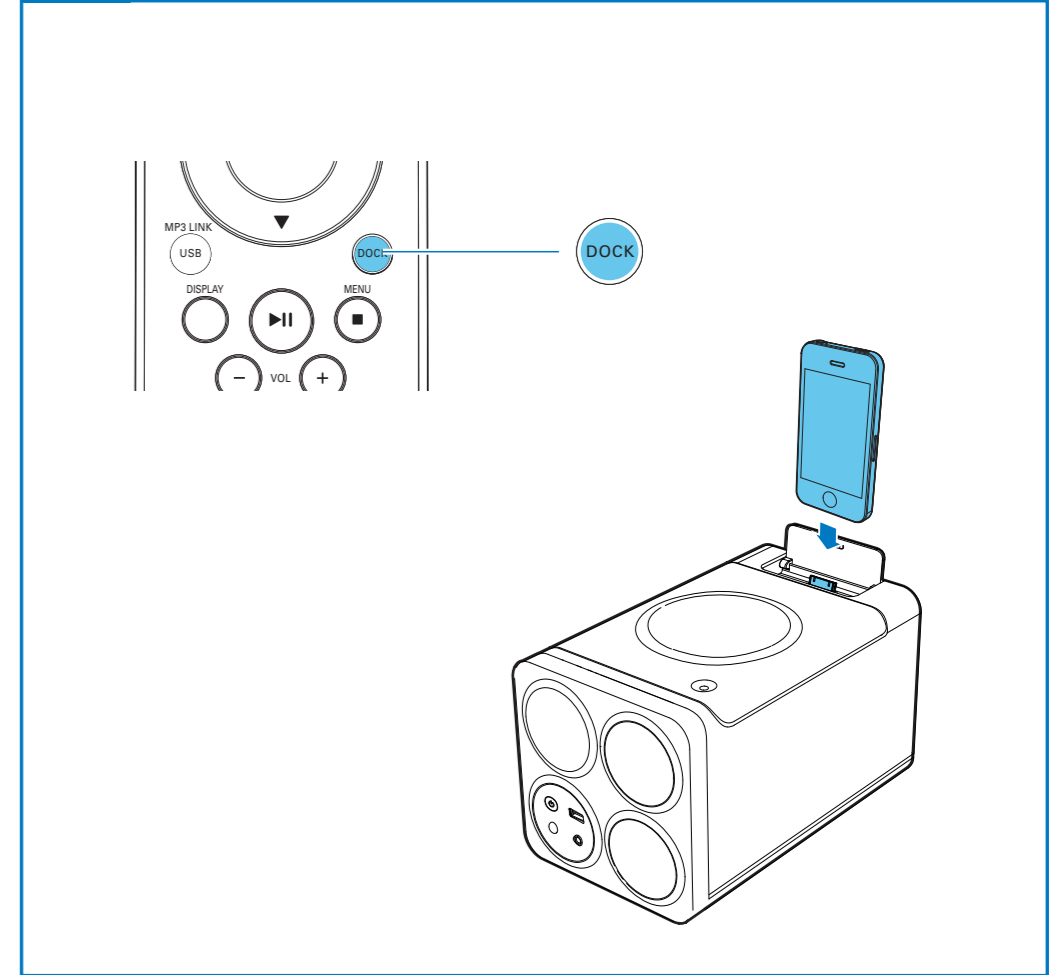
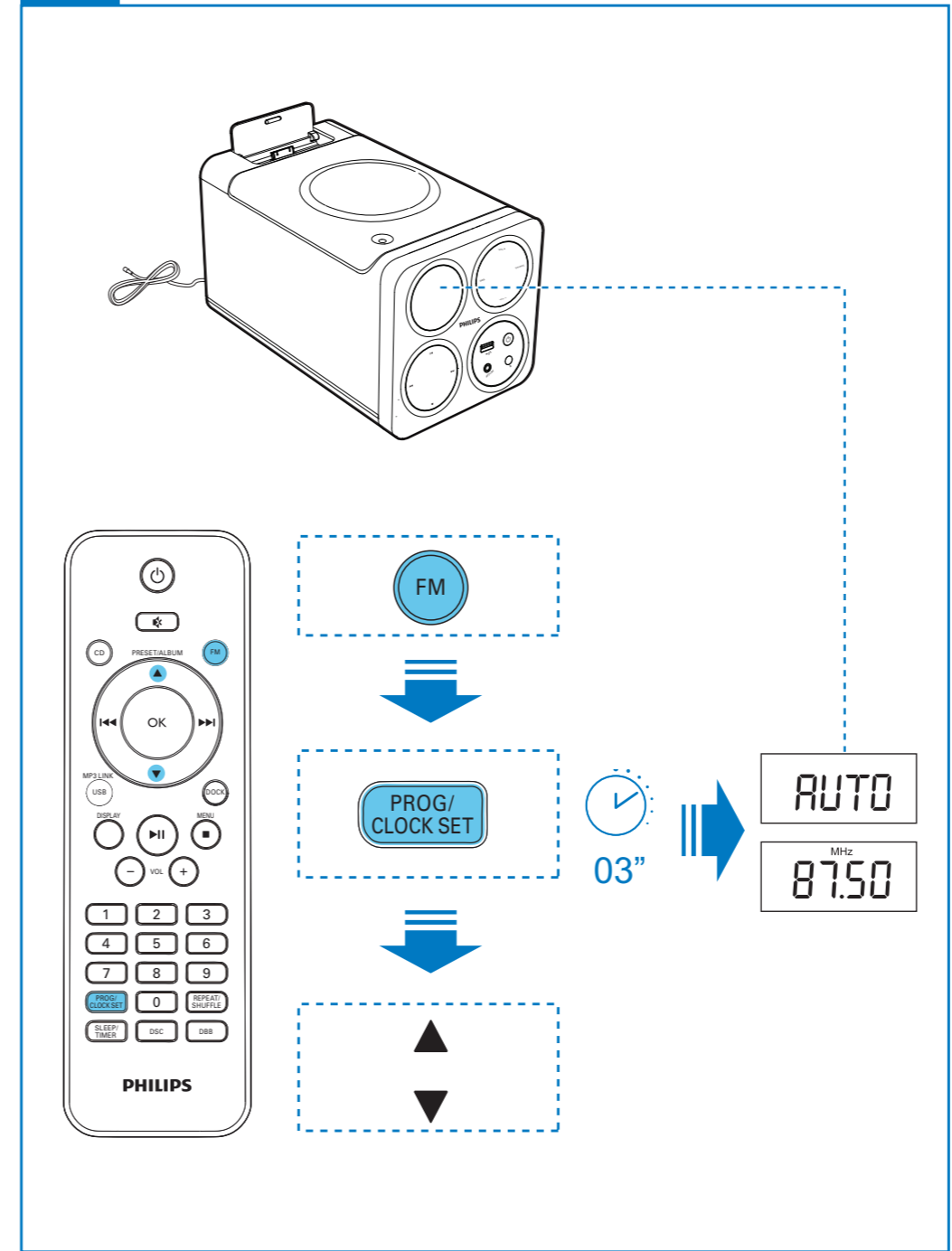
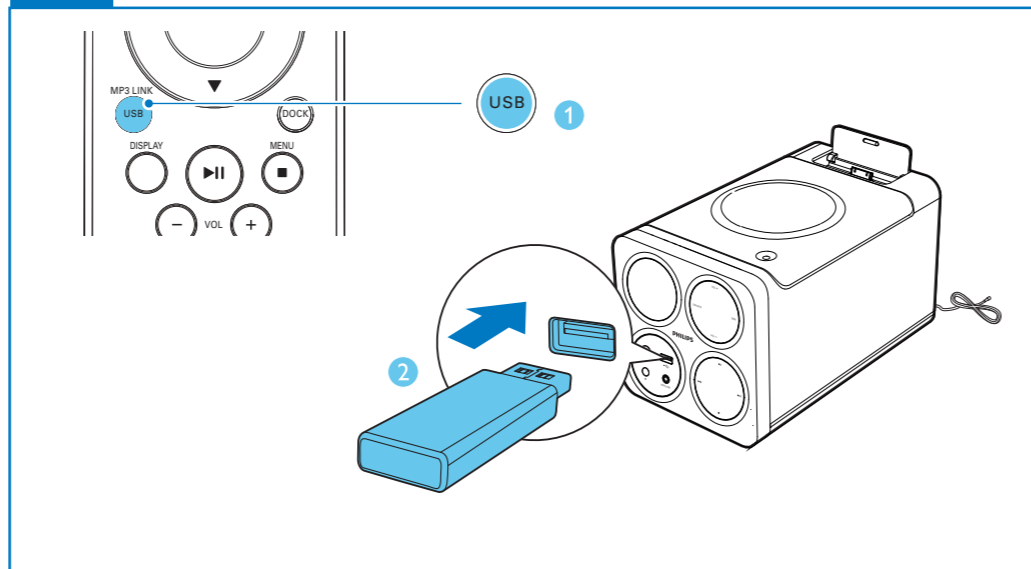
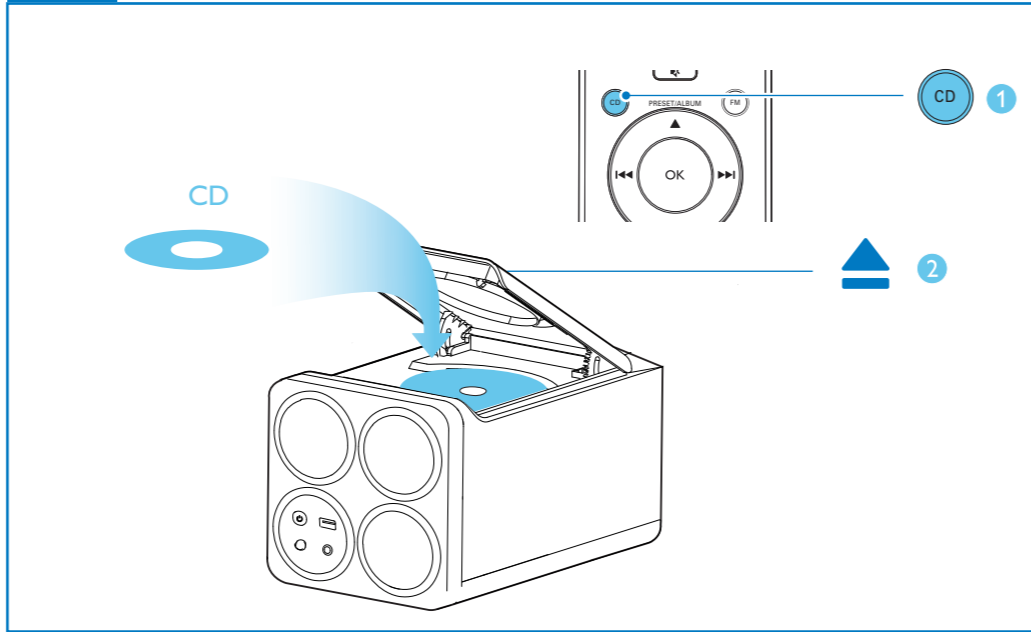
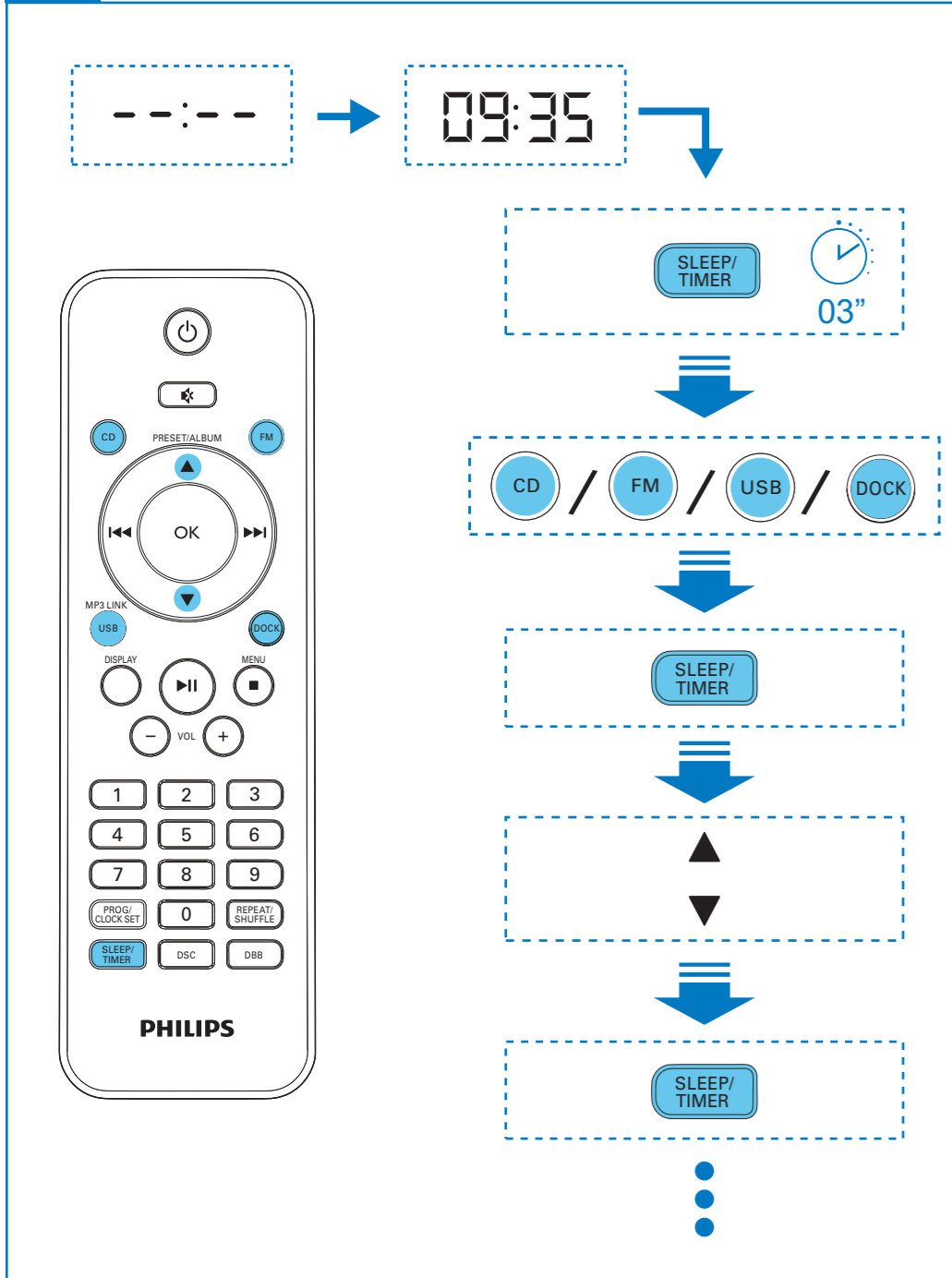
DCM1070



Quick start guide

PHILIPS





Specifications are subject to change without notice
 ©2012 Koninklijke Philips Electronics N.V.
 All rights reserved.

DCM1070_05_QSG_V1.1

