



FWM576

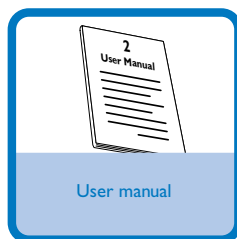
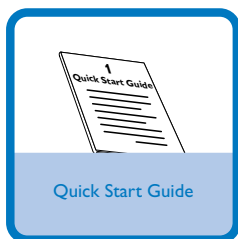
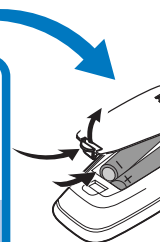
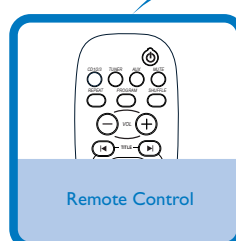
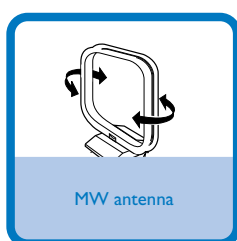
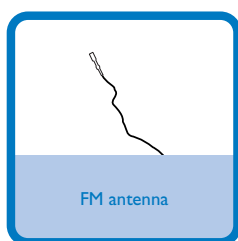
Quick start guide



- Step A *Connect*
- Step B *Setup*
- Step C *Enjoy*

What's in the Box?

You should find these items upon opening the box.

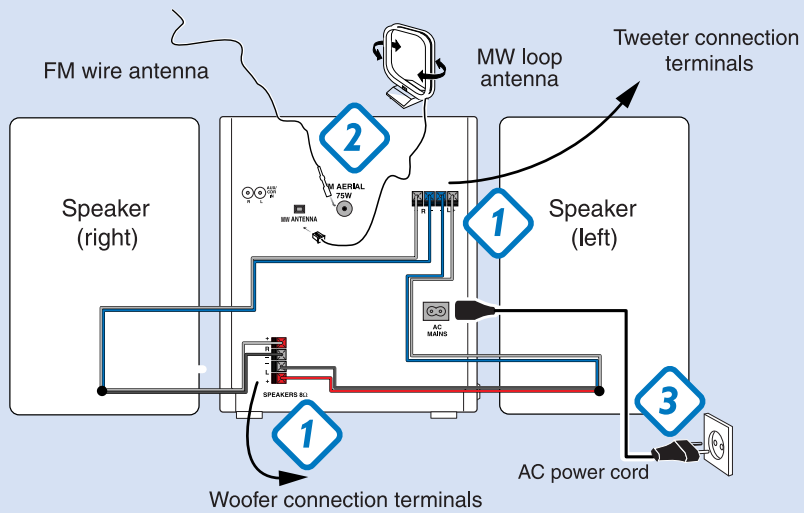


PHILIPS

Step A *Connect*

- 1 Connect the speaker cables.
- 2 Connect the MW and FM antennas.
- 3 Connect the power cable of the system.

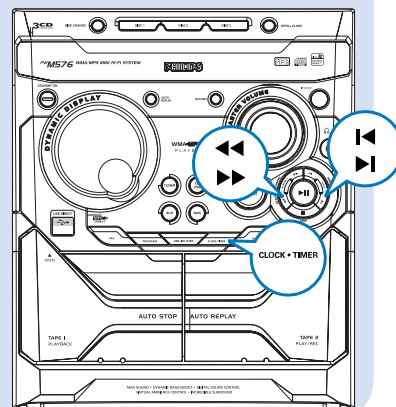
Tip
See the User Manual for how to connect other equipment to this system.



Step B *Setup*

Setting the clock

- 1 In standby or view clock mode, press **CLOCK•TIMER** once. In other source mode, press **CLOCK•TIMER** twice.
- 2 Press **◀** or **▶** repeatedly to set the hour.
- 3 Press **◀** or **▶** repeatedly to set the minute.
- 4 Press **CLOCK•TIMER** again to store the setting.

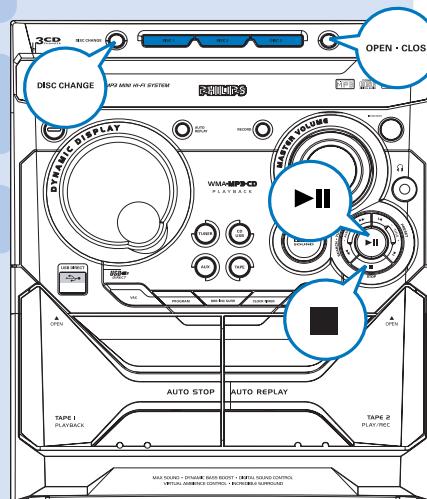
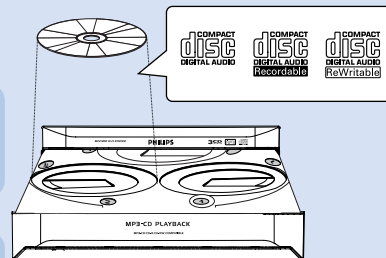




Step C Enjoy

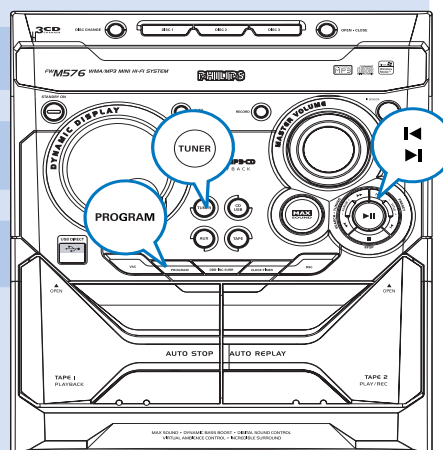
Playing a disc

- 1 Press **OPEN•CLOSE** to open the disc tray and load up to two discs on the individual disc trays. To load the third disc, press **DISC CHANGE**.
→ Make sure the label side of each loaded disc is facing up.
- 2 Press **OPEN•CLOSE** again to close the disc tray.
- 3 Use **DSC 1/2/3** (or **CD 1/2/3** on the remote control) to select a disc for playback and then press **▶ ||** to start playback.
- 4 To stop playback, press **STOP ■**.



Programming and tuning to radio stations

- 1 Press **TUNER** to select the tuner source.
- 2 Press **PROGRAM** for more than two seconds to program all available stations in order of waveband.
- 3 Press **◀** or **▶** until the desired preset station is displayed.






Step C Enjoy

Playing a USB mass storage device

With the Hi-Fi system, you can use USB flash memory (USB 2.0 or USB1.1), USB flash players (USB 2.0 or USB1.1), memory cards (requires an additional card reader to work with this Hi-Fi system).

- 1 Insert the USB device's USB plug into the socket  on the set.
- 2 Press **CD/USB** once or more to select **USB** (or **USB DIRECT** on the remote control).
- 3 Play the USB's audio files as you do with the albums/tracks on a CD.

Tip

Detailed playback features and additional functions are described in the accompany owner's manual.



© Royal Philips Electronics N.V. 2006
All rights reserved.

<http://www.philips.com>



PDCC-JS/JW-0646

