



Thank you for choosing Philips.

Need help fast?

Read your Quick Start Guide and/or User Manual first for quick tips that make using your Philips product more enjoyable.

If you have read your instructions and still need assistance, you may access our online help at

www.philips.com/welcome
or call

1-888-PHILIPS (744-5477)
while with your product.
(and Model / Serial number)



Philips vous remercie de votre confiance.

Besoin d'une aide rapide?

Le Guide rapide de début et Manuel de l'utilisateur regorgent d'astuces destinées à simplifier l'utilisation de votre produit Philips. Toutefois, si vous ne parvenez pas à résoudre votre problème, vous pouvez accéder à notre aide en ligne à l'adresse

www.philips.com/welcome
ou formez le

1-800-661-6162 (Francophone)
1-888-PHILIPS (744-5477) (English speaking)
Veillez à avoir votre produit à portée de main.
(et model / serial nombre)



Gracias por escoger Philips

Necesita ayuda inmediata?

Lea primero la Guía rápida del comienzo o el Manual del usuario, en donde encontrará consejos que le ayudarán a disfrutar plenamente de su producto Philips. Si después de leerlo aún necesita ayuda, consulte nuestro servicio de asistencia en línea en

www.philips.com/welcome
o llame al teléfono

1-888-PHILIPS (744-5477)
y tenga a mano el producto.
(y número de model / serial)



EN	User manual	3
ES	Manual del usuario	21
FR	Mode d'emploi	41

PHILIPS

Contents

1 Important	6
Safety	6
Notice	7

2 Your Micro Hi-Fi System	8
Introduction	8
What's in the box	8
Overview of the main unit	9
Overview of the remote control	10

3 Get started	11
Placement	11
Prepare the remote control	11
Connect power	12
Auto install radio stations	12
Set clock	12
Turn on	13

4 Play	13
Play a disc	13
Play from USB	13
Play iPod/iPhone	14

5 Listen to radio	15
Tune to a radio station	15
Program radio stations automatically	15
Program radio stations manually	15
Select a preset radio station	15

6 Play options	16
Pause/resume play	16
Skip to a track	16
Search within a track	16
Select repeat/shuffle play options	16
Program tracks	16
Display time	16
Adjust volume level	16
Mute sound	16
Select a preset sound effect	17
Enhance bass	17

7 Other features	17
Set the alarm timer	17
Set the sleep timer	18
Play from an external device	18

8 Product information	18
Specifications	18
USB playability information	19
Supported MP3 disc formats	19
Maintenance	19

9 Troubleshooting	20
--------------------------	----

Register online at www.philips.com/welcome today to
get the very most from your purchase.

Registering your model with PHILIPS makes you eligible for all of the valuable benefits listed below, so don't miss out.
Register online at www.philips.com/welcome to ensure:

*Product Safety Notification

By registering your product, you'll receive notification - directly from the manufacturer.

*Additional Benefits

Registering your product guarantees that you'll receive all of the privileges to which you're entitled, including special money-saving offers.

PHILIPS

*Congratulations on your purchase,
and welcome to the "family!"*

Dear PHILIPS product owner:

Thank you for your confidence in PHILIPS. You've selected one of the best-built, best-backed products available today. We'll do everything in our power to keep you happy with your purchase for many years to come.

As a member of the PHILIPS "family," you're entitled to protection by one of the most comprehensive warranties in the industry. What's more, your purchase guarantees you'll receive all the information and special offers for which you qualify, plus easy access to accessories from our convenient home shopping network.

Most importantly, you can count on our uncompromising commitment to your total satisfaction.


All of this is our way of saying welcome - and thanks for investing in a PHILIPS product.


P.S. To get the most from your PHILIPS purchase, be sure to register online at:

www.philips.com/welcome

Know these
safety symbols



 This "bolt of lightning" indicates uninsulated material within your unit may cause an electrical shock. For the safety of everyone in your household, please do not remove product covering.

 The "exclamation point" calls attention to features for which you should read the enclosed literature closely to prevent operating and maintenance problems.

WARNING: To reduce the risk of fire or electric shock, this apparatus should not be exposed to rain or moisture and objects filled with liquids, such as vases, should not be placed on this apparatus.

CAUTION: To prevent electric shock, match wide blade of plug to wide slot, fully insert.

ATTENTION: Pour éviter les chocs électriques, introduire la lame la plus large de la fiche dans la borne correspondante de la prise et pousser jusqu'au fond.

For Customer Use

Enter below the Serial No. which is located on the rear of the cabinet. Retain this information for future reference.

Model No. _____

Serial No. _____

PHILIPS

Visit our World Wide Web Site at <http://www.philips.com/welcome>

PHILIPS LIMITED WARRANTY ONE (1) YEAR

WARRANTY COVERAGE:

PHILIPS warranty obligation is limited to the terms set forth below.

WHO IS COVERED:

Philips warrants the product to the original purchaser or the person receiving the product as a gift against defects in materials and workmanship as based on the date of original purchase ("Warranty Period") from an Authorized Dealer. The original sales receipt showing the product name and the purchase date from an authorized retailer is considered such proof.

WHAT IS COVERED:

The Philips warranty covers new products if a defect in material or workmanship occurs and a valid claim is received by Philips within the Warranty Period. At its option, Philips will either (1) repair the product at no charge, using new or refurbished replacement parts, or (2) exchange the product with a product that is new or which has been manufactured from new, or serviceable used parts and is at least functionally equivalent or most comparable to the original product in Philips current inventory, or (3) refund the original purchase price of the product. Philips warrants replacement products or parts provided under this warranty against defects in materials and workmanship from the date of the replacement or repair for ninety (90) days or for the remaining portion of the original product's warranty, whichever provides longer coverage for you. When a product or part is exchanged, any replacement item becomes your property and the replaced item becomes Philips' property. When a refund is given, your product becomes Philips' property.

Note: Any product sold and identified as refurbished or renewed carries a ninety (90) day limited warranty.

Replacement product can only be sent if all warranty requirements are met. Failure to follow all requirements can result in delay.

WHAT IS NOT COVERED - EXCLUSIONS AND LIMITATIONS:

This Limited Warranty applies only to the new products manufactured by or for Philips that can be identified by the trademark, trade name, or logo affixed to it. This Limited Warranty does not apply to any non-Philips hardware product or any software, even if packaged or sold with the product. Non-Philips manufacturers, suppliers, or publishers may provide a separate warranty for their own products packaged with the bundled product.

Philips is not liable for any damage to or loss of any programs, data, or other information stored on any media contained within the product, or any non-Philips product or part not covered by this warranty. Recovery or reinstallation of programs, data or other information is not covered under this Limited Warranty.

This warranty does not apply (a) to damage caused by accident, abuse, misuse, neglect, misapplication, or non-Philips product, (b) to damage caused by service performed by anyone other than Philips or Philips Authorized Service Location, (c) to a product or a part that has been modified without the written permission of

Philips, or (d) if any Philips serial number has been removed or defaced, or (e) product, accessories or consumables sold "AS IS" without warranty of any kind by including refurbished Philips product sold "AS IS" by some retailers.

This Limited Warranty does not cover:

- Shipping charges to return defective product to Philips.
- Labor charges for installation or setup of the product, adjustment of customer controls on the product, and installation or repair of antenna/signal source systems outside of the product.
- Product repair and/or part replacement because of improper installation or maintenance, connections to improper voltage supply, power line surge, lightning damage, retained images or screen markings resulting from viewing fixed stationary content for extended periods, product cosmetic appearance items due to normal wear and tear, unauthorized repair or other cause not within the control of Philips.
- Damage or claims for products not being available for use, or for lost data or lost software.
- Damage from mishandled shipments or transit accidents when returning product to Philips.
- A product that requires modification or adaptation to enable it to operate in any country other than the country for which it was designed, manufactured, approved and/or authorized, or repair of products damaged by these modifications.
- A product used for commercial or institutional purposes (including but not limited to rental purposes).
- Product lost in shipment and no signature verification receipt can be provided.
- Failure to operate per Owner's Manual.

TO OBTAIN ASSISTANCE IN THE U.S.A., PUERTO RICO, OR U.S. VIRGIN ISLANDS...

Contact Philips Customer Care Center at:
1-888-PHILIPS (1-888-744-5477)

TO OBTAIN ASSISTANCE IN CANADA...

1-800-661-6162 (French Speaking)
1-888-PHILIPS (1-888-744-5477) - (English or Spanish Speaking)

REPAIR OR REPLACEMENT AS PROVIDED UNDER THIS WARRANTY IS THE EXCLUSIVE REMEDY FOR THE CONSUMER. PHILIPS SHALL NOT BE LIABLE FOR ANY INCIDENTAL OR CONSEQUENTIAL DAMAGES FOR BREACH OF ANY EXPRESS OR IMPLIED WARRANTY ON THIS PRODUCT. EXCEPT TO THE EXTENT PROHIBITED BY APPLICABLE LAW, ANY IMPLIED WARRANTY OF MERCHANTABILITY OR FITNESS FOR A PARTICULAR PURPOSE ON THIS PRODUCT IS LIMITED IN DURATION TO THE DURATION OF THIS WARRANTY.

Some states do not allow the exclusions or limitation of incidental or consequential damages, or allow limitations on how long an implied warranty lasts, so the above limitations or exclusions may not apply to you.

This warranty gives you specific legal rights. You may have other rights which vary from state/province to state/province.

Philips, P.O. Box 10313 Stamford, CT 06904

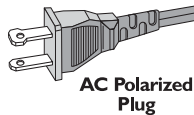
3140 035 50201

1 Important

Safety

Important Safety Instructions

- ① Read these instructions.
- ② Keep these instructions.
- ③ Heed all warnings.
- ④ Follow all instructions.
- ⑤ Do not use this apparatus near water.
- ⑥ Clean only with dry cloth.
- ⑦ Do not block any ventilation openings. Install in accordance with the manufacturer's instructions.
- ⑧ Do not install near any heat sources such as radiators, heat registers, stoves, or other apparatus (including amplifiers) that produce heat.
- ⑨ Do not defeat the safety purpose of the polarized or grounding-type plug. A polarized plug has two blades with one wider than the other. A grounding type plug has two blades and a third grounding prong. The wide blade or the third prong are provided for your safety. If the provided plug does not fit into your outlet, consult an electrician for replacement of the obsolete outlet.
- ⑩ Protect the power cord from being walked on or pinched, particularly at plugs, convenience receptacles, and the point where they exit from the apparatus.
- ⑪ Only use attachments/accessories specified by the manufacturer.



- ⑫ Use only with the cart, stand, tripod, bracket, or table specified by the manufacturer or sold with the apparatus. When a cart is used, use caution when moving the cart/apparatus combination to avoid injury from tip-over.
- ⑬ Unplug this apparatus during lightning storms or when unused for long periods of time.
- ⑭ Refer all servicing to qualified service personnel. Servicing is required when the apparatus has been damaged in any way, such as power-supply cord or plug is damaged, liquid has been spilled or objects have fallen into the apparatus, the apparatus has been exposed to rain or moisture, does not operate normally, or has been dropped.



Warning

- Never remove the casing of this apparatus.
- Never lubricate any part of this apparatus.
- Never place this apparatus on other electrical equipment.
- Keep this apparatus away from direct sunlight, naked flames or heat.
- Never look into the laser beam inside this apparatus.
- Ensure that you always have easy access to the power cord, plug or adaptor to disconnect this apparatus from the power.

Hearing safety

Listen at a moderate volume.

- Using headphones at a high volume can impair your hearing. This product can produce sounds in decibel ranges that may cause hearing loss for a normal person, even for exposure less than a minute. The higher decibel ranges are offered for those that may have already experienced some hearing loss.

- Sound can be deceiving. Over time your hearing 'comfort level' adapts to higher volumes of sound. So after prolonged listening, what sounds 'normal' can actually be loud and harmful to your hearing. To guard against this, set your volume to a safe level before your hearing adapts and leave it there.
- Set your volume control at a low setting.
- Slowly increase the sound until you can hear it comfortably and clearly, without distortion.
- Prolonged exposure to sound, even at normally 'safe' levels, can also cause hearing loss.
- Be sure to use your equipment reasonably and take appropriate breaks.
- Listen at reasonable volumes for reasonable periods of time.
- Be careful not to adjust the volume as your hearing adapts.
- Do not turn up the volume so high that you can't hear what's around you.
- You should use caution or temporarily discontinue use in potentially hazardous situations. Do not use headphones while operating a motorized vehicle, cycling, skateboarding, etc.; it may create a traffic hazard and is illegal in many areas.

Notice

Notice of compliance

The set complies with the FCC-Rules, Part 15 and with 21 CFR 1040.10. Operation is subject to the following two conditions:

- 1.This device may not cause harmful interference, and
- 2.This device must accept any interference received, including interference that may cause undesired operation.

Canada

English:

This digital apparatus does not exceed the Class B limits for radio noise emissions from

digital apparatus as set out in the Radio Interference Regulations of the Canadian Department of Communications. This Class B digital apparatus complies with Canadian ICES-003.

Français:

Cet appareil numérique n'émet pas de bruits radioélectriques dépassant les limites applicables aux appareils numériques de Classe B prescrites dans le Règlement sur le Brouillage Radioélectrique édicté par le Ministère des Communications du Canada. Cet appareil numérique de la classe B est conforme à la norme NMB-003 du Canada. Any changes or modifications made to this device that are not expressly approved by Philips Consumer Lifestyle may void the user's authority to operate the equipment.

Environmental information

All unnecessary packaging has been omitted. We have tried to make the packaging easy to separate into three materials: cardboard (box), polystyrene foam (buffer) and polyethylene (bags, protective foam sheet.)

Your system consists of materials which can be recycled and reused if disassembled by a specialized company. Please observe the local regulations regarding the disposal of packaging materials, exhausted batteries and old equipment.

Disposal of your old product and batteries

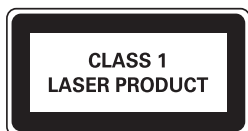
Your product is designed and manufactured with high quality materials and components, which can be recycled and reused.

Never dispose of your product with other household waste. Please inform yourself about the local rules on the separate collection of electrical and electronic products and batteries. The correct disposal of these products helps prevent potentially negative consequences on the environment and human health.

Your product contains batteries, which cannot be disposed of with normal household waste. Please inform yourself about the local rules on separate collection of batteries. The correct disposal of batteries helps prevent potentially negative consequences on the environment and human health.

Please visit www.recycle.philips.com for additional information on a recycling center in your area.

This apparatus includes this label:



Class II equipment symbol



This symbol indicates that the unit has a double insulation system.



Windows Media and the Windows logo are trademarks, or registered trademarks of Microsoft Corporation in the United States and/or other countries.

2 Your Micro Hi-Fi System

Congratulations on your purchase, and welcome to Philips! To fully benefit from the support that Philips offers, register your product at www.philips.com/welcome.

Introduction

With this unit, you can enjoy audio from discs, USB devices, iPod players, iPhone and other external devices, or listen to radio stations. The unit offers Digital Sound Control (DSC) and Dynamic Bass Boost (DBB) to enrich sound.

The unit supports the following media formats:

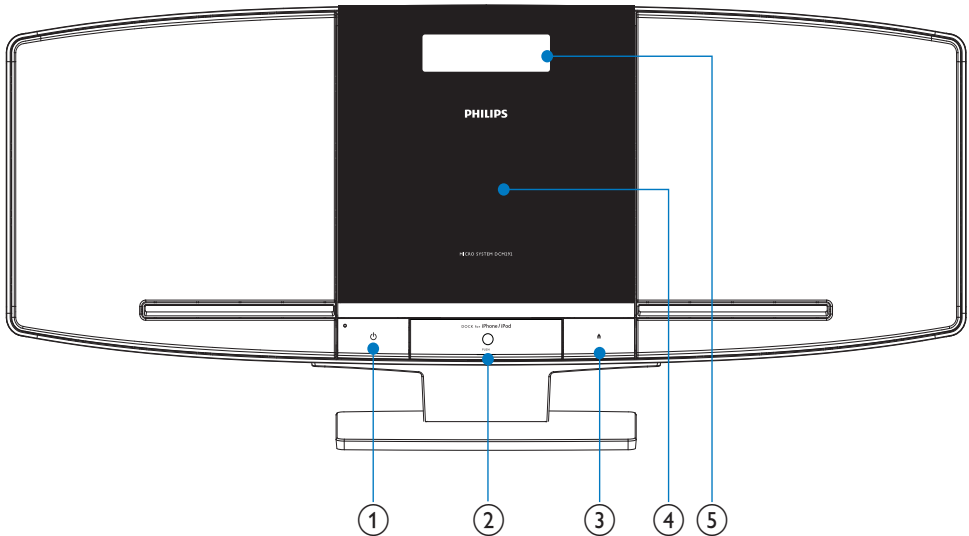


What's in the box

Check and identify the contents of your package:

- Main unit
- Remote control
- Power adaptor
- 1 x MP3 link cable
- Mounting kit (2 dowels and 2 screws)
- Quick start guide
- User manual
- Wall mounting instructions

Overview of the main unit



①

- Turn on the unit, or switch to standby mode, or switch to Eco Power standby.

② Dock for iPod/iPhone

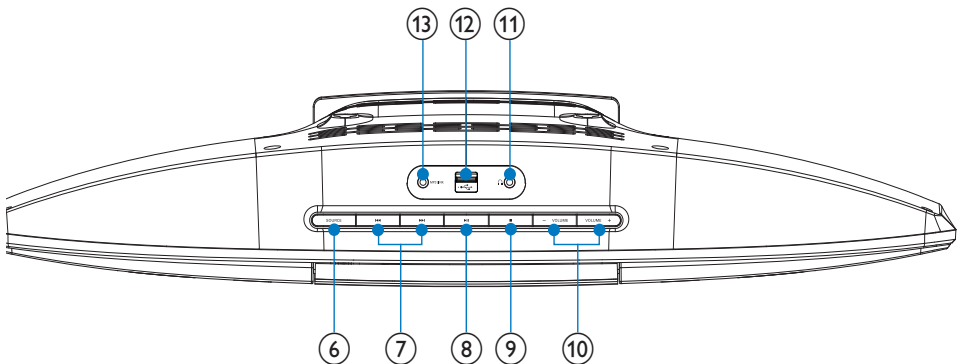
③

- Open/close the disc compartment.

④ Disc compartment

⑤ Display panel

- Show current status.

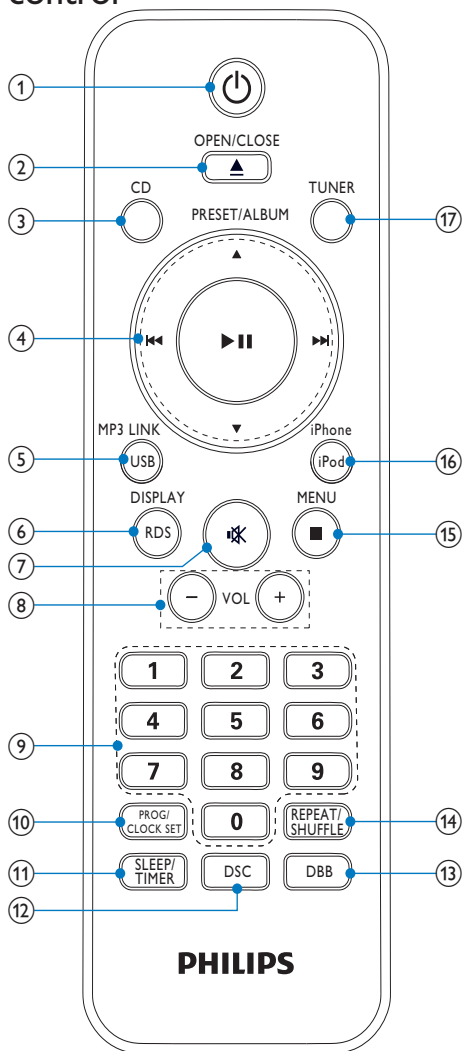


⑥ SOURCE






- Select a source: CD, FM tuner, USB, iPod, or MP3 link.

- ⑦ **⏮️⏪⏩⏭️**
 - Skip to the previous/next track.
 - Search within a track.
 - Tune to a radio station.
 - Adjust hour/minute digits.
 - Select 12 hour or 24 hour format.
- ⑧ **▶️⏸️**
 - Start or pause play.
- ⑨ **■**
 - Stop play or erase a program.
- ⑩ **VOLUME + / -**
 - Adjust volume.
- ⑪ **🎧**
 - Jack for the headphone.
- ⑫ **🔌**
 - Jack for a USB mass storage device.
- ⑬ **MP3 LINK**
 - Audio input jack (3.5mm) for an external audio device.

Overview of the remote control



- ① **⏻**
 - Turn on the unit, or switch to standby mode, or switch to Eco Power standby.
- ② **OPEN/CLOSE ▲**
 - Open or close the disc compartment.
- ③ **CD**
 - Select disc source.

- ④ 
- Navigate in the iPod menu.
 - Skip to the previous/next album.
- 
- Skip to the previous/next track.
 - Search within a track.
 - Tune to a radio station.
 - Adjust hour/minute digits.
 - Select 12 hour or 24 hour format.
- 
- Start or pause play.
- ⑤ **USB/MP3 LINK**
- Select USB device source.
 - Select external audio device source.
- ⑥ **RDS/DISPLAY (RDS not available)**
- Select display information during play.
- ⑦ 
- Mute or restore volume.
- ⑧ **VOL +/-**
- Adjust volume.
- ⑨ **Numeric keypad**
- Select a track from a disc directly.
 - Select a preset radio station.
- ⑩ **PROG/CLOCK SET**
- Program tracks.
 - Program radio stations.
 - Scan for radio stations automatically.
 - Set the clock.
- ⑪ **SLEEP/TIMER**
- Set the sleep timer.
 - Set the alarm timer.
- ⑫ **DSC**
- Select a preset sound setting.
- ⑬ **DBB**
- Turn on or off dynamic bass enhancement.
- ⑭ **REPEAT/SHUFFLE**
- Play a track or all tracks repeatedly.
 - Play tracks randomly.
- ⑮ /MENU
- Stop play or erase a program.
 - Access the iPod menu.
- ⑯ **iPod/iPhone**
- Select iPod/iPhone source.
- ⑰ **TUNER**
- Select tuner source.

3 Get started



Caution

- Use of controls or adjustments or performance of procedures other than herein may result in hazardous radiation exposure or other unsafe operation.

Always follow the instructions in this chapter in sequence.

If you contact Philips, you will be asked for the model and serial number of this apparatus. The model number and serial number are on the rear of the apparatus. Write the numbers here:

Model No. _____

Serial No. _____

Placement

You can place the unit on a flat surface or mount the unit on a wall.

Mount on a wall

To wall mount the unit, see the included separate sheet of wall mounting instructions.

Prepare the remote control

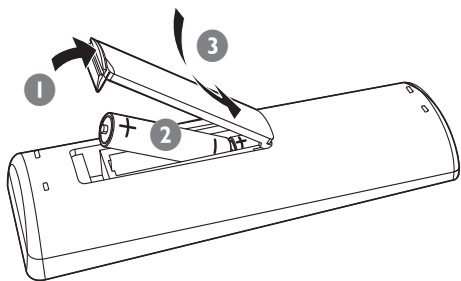


Caution

- Risk of explosion! Keep batteries away from heat, sunshine or fire. Never discard batteries in fire.

To insert the remote control battery:

- 1 Open the battery compartment.
- 2 Insert 2 AAA batteries (not supplied) with correct polarity (+/-) as indicated.
- 3 Close the battery compartment.



Note

- If you are not going to use the remote control for a long time, remove the batteries.
- Do not use old and new or different types of batteries in combination.
- Batteries contain chemical substances, so they should be disposed of properly.

Connect power

Caution

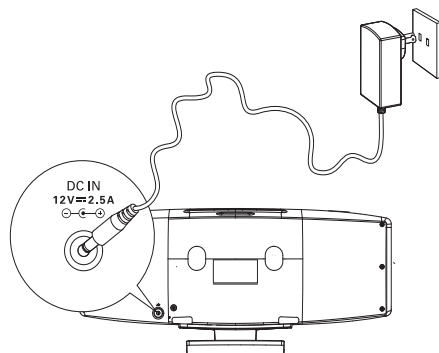
- Risk of product damage! Ensure that the power voltage corresponds to the voltage printed on the back or underside of the apparatus.

Warning

- Risk of electric shock! When you unplug the AC adaptor, always pull the plug from the socket. Never pull the cord.

Caution

- Before connecting the AC adaptor, ensure you have completed all other connections.



- 1 Connect the power adaptor to:
 - the **DC IN** jack on the main unit.
 - the wall outlet.

Auto install radio stations

When you connect power and no radio stations are stored, the unit automatically begins to store radio stations.

- 1 Connect the unit to the power supply.
 - ↳ **[AUTO INSTALL PRESS -- PLAY KEY]**(auto install press -- play key) is displayed.
- 2 Press **▶||** on the main unit to start installation.
 - ↳ The unit automatically stores radio stations with sufficient signal strength.
 - ↳ When all the available radio stations are stored, the first preset radio station is broadcast automatically.

Set clock

Note

- You can set the clock in the standby mode only.

- 1 Press and hold **PROG/CLOCK SET** to enter the clock setting mode.
 - ↳ **[SET CLOCK]**(set clock) scrolls on the screen.

- 2 Press **◀▶▶▶** repeatedly to select 12 hour or 24 hour format.
- 3 Press **PROG/CLOCK SET** to confirm.
 - ↳ The hour digits are displayed and begin to blink.
- 4 Press **◀▶▶▶** to set the hour.
- 5 Press **PROG/CLOCK SET** to confirm.
 - ↳ The minute digits are displayed and begin to blink.
- 6 Press **◀▶▶▶** to set the minute.
- 7 Press **PROG/CLOCK SET** to confirm the clock setting.

Turn on

- 1 Press **⏻**.
 - ↳ The unit switches to the last selected source.

Switch to standby

- 1 Press **⏻** again to switch the unit to standby mode.
 - ↳ The clock (if set) appears on the display panel.

To switch the unit to Eco Power Standby mode:

- 1 Press and hold **⏻** for more than 2 seconds.
 - ↳ The backlight on the display panel turns off.



Tip

- The unit switches to Eco Power Standby mode after 15 minutes in standby mode.

To switch between standby mode and Eco Standby Mode:

- 1 Press and hold **⏻** for more than 2 seconds.

4 Play

Play a disc

- 1 Press **CD** to select the disc source.
- 2 Press **▲** to open the disc compartment.
- 3 Insert a disc with the printed side facing outward.
- 4 Press **▲** to close the disc compartment.
 - ↳ Play starts automatically. If not, press **▶II**.

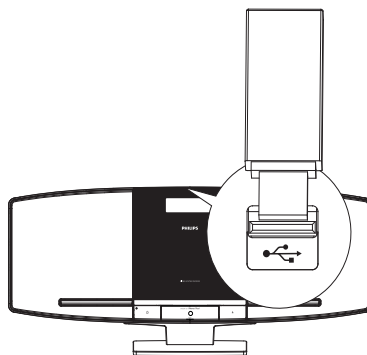
Play from USB



Note

- Ensure that the USB device contains playable audio content.

- 1 Insert the USB device into the **USB** socket.



- 2 Press **USB** to select the USB source.
 - ↳ Play starts automatically. If not, press **▶II**.
 - To select a folder, press **▲/▼**.
 - To select an audio file, press **◀▶▶▶**.

Play iPod/iPhone

You can enjoy audio from iPod/iPhone through this Micro Hi-Fi system.

Compatible iPod/iPhone

Apple iPod and iPhone models with a 30-pin dock connector:

- iPod classic, iPod touch, iPod nano, iPod 5th generation (video), iPod with color display, iPod mini
- iPhone, iPhone 3G, iPhone 3GS

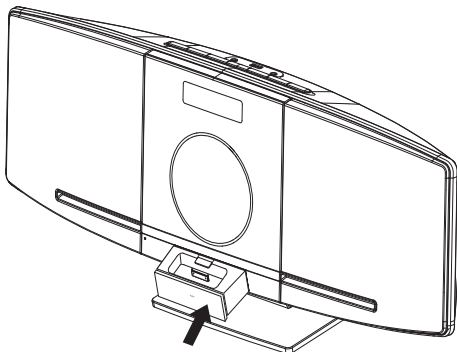
Play an iPod/iPhone player



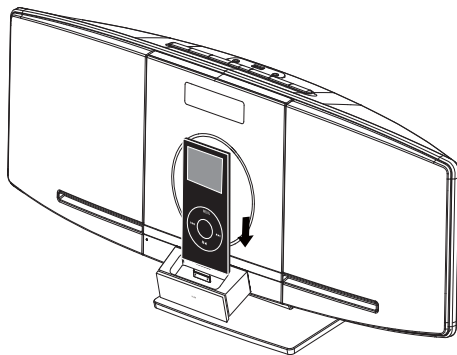
Note

- When an iPod/iPhone player is loaded, the unit switches to iPod source automatically.

- 1 Push to open the dock compartment.



- 2 Place the iPod/iPhone player in the dock.



- 3 Press iPod to select iPod source.
 - ↳ The connected iPod/iPhone plays automatically.
 - To pause/resume play, press **▶||**.
 - To skip to a track, press **⏮▶▶**.
 - To search during play, press and hold **⏮▶▶**, then release to resume normal play.

Charge the iPod/iPhone

When the unit is connected to power, the docked iPod/iPhone begins to charge.

5 Listen to radio

Tune to a radio station

- 1 Press **TUNER** to select FM.
- 2 Press and hold **◀▶** for more than 2 seconds.
 - ↳ **[SEARCH]** (search) is displayed.
 - ↳ The radio tunes to a station with strong reception automatically.
- 3 Repeat step 2 to tune to more stations.
 - To tune to a weak station, press **◀▶** repeatedly until you find optimal reception.

Program radio stations automatically

You can program a maximum of 20 preset radio stations (FM).

- 1 In the tuner mode, press and hold **PROG/CLOCK SET** for more than 2 seconds to activate automatic program mode.
 - ↳ **[AUTO]** (auto) is displayed.
 - ↳ All available stations are programmed in the order of waveband reception strength.
 - ↳ The first programmed radio station is broadcast automatically.

Program radio stations manually

You can program a maximum of 20 preset radio stations (FM).

- 1 Tune to a radio station.
- 2 Press **PROG/CLOCK SET** to activate program mode.
 - ↳ **[PROG]** (program) is displayed.
- 3 Press **▲▼** to allocate a number to this radio station, then press **PROG/CLOCK SET** to confirm.
- 4 Repeat the above steps to program other stations.

Tip

- To overwrite a programmed station, store another station in its place.

Select a preset radio station

- 1 In tuner mode, press **▲▼** to select a preset number.
 - You can also press the numeric buttons to select a preset number directly.

Tip

- Position the antenna as far as possible from TV, VCR or other radiation source.
- For optimal reception, fully extend and adjust the position of the antenna.

6 Play options

Pause/resume play

- 1 During play, press **▶||** to pause/resume play.

Skip to a track

For CD:

- 1 Press **◀◀▶▶** to select another track.
 - To select a track directly, you can also press a key on the numerical keypad.
- 2 Press **▲▼** to select an album or a folder.
- 3 Press **◀◀▶▶** to select a track or a file.

Search within a track

- 1 During play, press and hold **◀◀▶▶**.
- 2 Release to resume normal play.

Select repeat/shuffle play options

- 1 During play, press **REPEAT/SHUFFLE** repeatedly to select a repeat option or the shuffle play mode.
 - **[REPEAT]**: the current track is played repeatedly.
 - **[REPEAT ALL]**: all tracks are played repeatedly.
 - **[REPEAT ALB]**: all tracks in this album are played repeatedly.
 - **[SHUFFLE]**: all tracks are played randomly.
- 2 To resume normal play, press **REPEAT/SHUFFLE** repeatedly until no option is displayed.

Program tracks



Note

- You can program tracks only when the play stops.

You can program a maximum of 40 tracks.

- 1 Press **PROG/CLOCK SET** to activate the program mode.
 - ↳ **[PROG]** (program) is displayed.
- 2 For MP3/WMA tracks, press **▲▼** to select an album.
- 3 Press **◀◀▶▶** to select a track, then press **PROG/CLOCK SET** to confirm.
- 4 Repeat steps 2 to 3 to program more tracks.
- 5 Press **▶||** to play the programmed tracks.
 - ↳ During play, **[PROG]** (program) is displayed.
 - To erase the program, in the stop position, press **■**.

Display time

- 1 Press **DISPLAY** to display time.



Tip

- In Eco Standby mode, time is displayed for 90 seconds.

Adjust volume level

- 1 During play, press **VOL +/-** to increase/decrease the volume level.

Mute sound

- 1 During play, press **✖** to mute/unmute sound.

Select a preset sound effect

- 1 During play, press **DSC** repeatedly to select:
 - **[POP]** (pop)
 - **[JAZZ]** (jazz)
 - **[ROCK]** (rock)
 - **[CLASSIC]** (classic)
 - **[FLAT]** (flat)

Enhance bass

- 1 During play, press **DBB** to turn on or off dynamic bass enhancement.
 - ↳ If DBB is activated, **[DBB]** is displayed.

7 Other features

Set the alarm timer

This unit can be used as an alarm clock. The disc/radio/USB/iPod is activated to play at a preset time.



Note

- Ensure that you have set the clock correctly.

- 1 Press **⏻** to switch to standby mode.
- 2 Press and hold **SLEEP/TIMER** for more than two seconds.
 - ↳ A prompt to select the source is displayed.
- 3 Press **CD**, **TUNER**, **USB** or **iPod** to select a source.
- 4 Press **SLEEP/TIMER** to confirm.
 - ↳ The clock digits are displayed.
 - ↳ The hour digits begin to blink.
- 5 Press **⏮** to set the hour.
- 6 Press **SLEEP/TIMER** to confirm.
 - ↳ The minute digits begin to blink.
- 7 Press **⏭** to set the minute.
 - ↳ The timer is set and activated.
 - ↳ **⌚** is displayed.

Set the sleep timer

This unit can switch to standby automatically after a set period of time.

- 1 When the unit is turned on, press **SLEEP/TIMER** repeatedly to select a set period of time (in minutes).
↳ When sleep timer is activated, **zzz** is displayed.
- 2 Press **SLEEP/TIMER** repeatedly until [**OFF**] (off) is displayed.
↳ When sleep timer is deactivated, **zzz** disappears on the display.

Play from an external device

You can also listen to an external audio device through this unit.

- 1 Press **USB/MP3 LINK** to select the MP3 link source.
- 2 Connect the supplied MP3 link cable to:
 - the **MP3 LINK** jack (3.5mm) on the unit.
 - the headphone jack on an external device.
- 3 Start to play the device (see the device user manual).

8 Product information



Note

- Product information is subject to change without prior notice.

Specifications

Amplifier

Total output power	2 x 10 W RMS
Frequency response	80 Hz - 16 kHz, ± 3 dB
Signal to noise ratio	> 60 dB
MP3 link input	0.5 V RMS 20 k Ω

Disc

Laser type	Semiconductor
Disc diameter	12 cm / 8 cm
Support disc	CD-DA, CD-R, CD-RW, MP3-CD, WMA-CD
Audio DAC	24 Bits / 44.1 kHz
Total harmonic distortion	< 1.5%
Frequency response	60 Hz -16 kHz (44.1 kHz)
Signal to noise ratio	> 55 dBA

Tuner

Tuning range	FM: 87.5 - 108 MHz
Tuning grid	100 KHz
Number of presets	20

Speakers

Speaker impedance 2 x 10 W, 4 Ω

General information

AC power 100 - 240V~, 50/60Hz
Model: AS300-120-AA250

Operation Power Consumption 15 W

Standby Power Consumption < 2 W

Eco Power Standby Power Consumption < 1 W

USB Direct Version 2.0/1.1

Dimensions
- Main Unit 565 x 245 x 104 mm
(W x H x D)

Weight
- Main Unit 2.7 kg

USB playability information

Compatible USB devices:

- USB flash memory (USB 2.0 or USB 1.1)
- USB flash players (USB 2.0 or USB 1.1)
- memory cards (requires an additional card reader to work with this unit)

Supported formats:

- USB or memory file format FAT12, FAT16, FAT32 (sector size: 512 bytes)
- MP3 bit rate (data rate): 32-320 Kbps and variable bit rate
- WMA v9 or earlier
- Directory nesting up to a maximum of 8 levels
- Number of albums/ folders: maximum 99
- Number of tracks/titles: maximum 999
- ID3 tag v2.0 to v2.3
- File name in Unicode UTF8 (maximum length: 128 bytes)

Supported MP3 disc formats

- ISO9660, Joliet
- Maximum title number: 999 (depending on file name length)
- Maximum album number: 99
- Supported sampling frequencies: 32 kHz, 44.1kHz, 48 kHz
- Supported Bit-rates: 32-320 (kbps), variable bit rates
- ID3 tag v2.0 to v2.3
- Directory nesting up to a maximum of 8 levels

Maintenance

Clean the cabinet

- Use a soft cloth slightly moistened with a mild detergent solution. Do not use a solution containing alcohol, spirits, ammonia or abrasives.

Clean discs

- When a disc becomes dirty, clean it with a cleaning cloth. Wipe the disc from the centre out.
- Do not use solvents such as benzene, thinner, commercially available cleaners, or antistatic spray intended for analogue records.



Clean the disc lens

- After prolonged use, dirt or dust may accumulate at the disc lens. To ensure good play quality, clean the disc lens with Philips CD lens cleaner or any commercially available cleaner. Follow the instructions supplied with cleaner.

9 Troubleshooting



Warning

- Never remove the casing of this apparatus.

To keep the warranty valid, never try to repair the system yourself.

If you encounter problems when using this apparatus, check the following points before requesting service. If the problem remains unsolved, go to the Philips web site (www.philips.com/welcome). When you contact Philips, ensure that the apparatus is nearby and the model number and serial number are available.

No power

- Ensure that the AC power plug of the unit is connected properly.
- Ensure that there is power at the AC outlet.
- To save power, the unit switches to Eco Standby mode automatically after 15 minutes in standby mode.

No sound

- Adjust the volume.

No response from the unit

- Disconnect and reconnect the AC power plug, then turn on the unit again.

No disc detected

- Insert a disc.
- Check if the disc is inserted with the print side facing inward.
- Wait until the moisture condensation at the lens has cleared.
- Replace or clean the disc.
- Use a finalized CD or correct format disc.

Remote control does not work

- Before pressing any function button, first select the correct source with the remote control instead of the main unit.
- Reduce the distance between the remote control and the unit.

- Insert the battery with its polarities (+/- signs) aligned as indicated.
- Replace the battery.
- Aim the remote control directly at the sensor on the front of the unit.

Cannot display some files in USB device

- The number of folders or files in the USB device has exceeded a certain limit. This phenomenon is not a malfunction.
- The formats of these files are not supported.

USB device not supported

- The USB device is incompatible with the unit. Try another one.

Poor radio reception

- Increase the distance between the unit and your TV or VCR.
- Fully extend and adjust the FM antenna.

Clock/timer setting erased

- Power has been interrupted or the power cord has been disconnected.
- Reset the clock/timer.

Timer does not work

- Set the clock correctly.
- Switch on the timer.

Philips Consumer Lifestyle
A division of Philips Electronics North America Corporation
P.O. Box 10313
Stamford, CT 06904
Phone: 1-888-PHILIPS (744-5477)

Meet Philips at the Internet
<http://www.philips.com/welcome>

