

PHILIPS

DAB+ radio

5000 Series

R5505

User manual



Register your product and get support at
www.philips.com/support

Contents

1 Important	2	7 Product information	11
Safety	2	Specifications	11
2 Your FM/DAB radio	3	8 Troubleshooting	12
Introduction	3	9 Notice	13
What's in the box	3	Compliance	13
Overview of the main unit	4		
3 Get started	5		
Prepare radio antenna	5		
Connect power	5		
Turn on	5		
Adjust the volume level	5		
Switch to standby mode	5		
4 Listen to DAB radio	6		
Tune to DAB radio stations	6		
Store DAB radio stations	6		
Select a preset DAB radio station	7		
Use menu in DAB mode	7		
Show DAB information	7		
5 Listen to FM radio	8		
Tune to FM radio stations	8		
Store FM radio stations	8		
Select a preset FM radio station	8		
Use menu in FM mode	9		
Show FM information	9		
6 Other features	10		
Play audio through Bluetooth	10		
Use menu in Bluetooth mode	10		
Kitchen Timer	10		
Sleep Timer	11		

1 Important

Safety



Warning

- Never remove the casing of this radio.
- Never lubricate any part of this radio.
- Never place this radio on other electrical equipment.
- Keep this radio away from direct sunlight, naked flames or heat.
- Make sure that you always have easy access to the power cord, plug or adaptor to disconnect the radio from the power.

- Read and follow these instructions.
- Make sure that there is enough free space around the product for ventilation.
- Refer all servicing to qualified service personnel. Servicing is required when the radio has been damaged in any way, such as power-supply cord or plug is damaged, liquid has been spilled or objects have fallen into the radio, the radio has been exposed to rain or moisture, does not operate normally, or has been dropped.
- Only use attachments/accessories specified by the manufacturer.
- Use only power supplies listed in the user manual.
- Unplug this product during lightning storms or when unused for long periods of time.

- The product shall not be exposed to dripping or splashing.
- Do not place any sources of danger on the product (e.g. liquid filled objects, lighted candles).
- Where the plug of the Direct Plug-in Adapter is used as the disconnect device, the disconnect device shall remain readily operable.
- Do not use this apparatus near water.
- Install in accordance with the manufacturer's instructions.
- Do not install near any heat sources such as radiators, heat registers, stoves, or other apparatus (including amplifiers) that produce heat.

2 Your FM/DAB radio

Congratulations on your purchase, and welcome to Philips! To fully benefit from the support that Philips offers, register your product at www.philips.com/welcome.

Introduction

With this radio, you can:

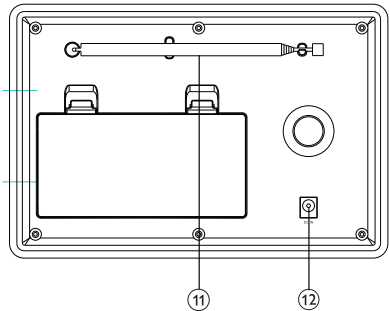
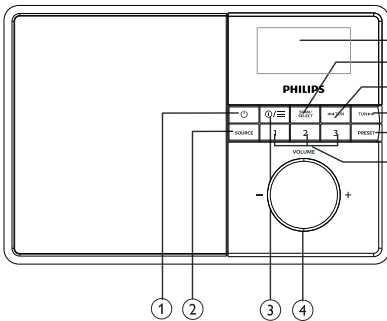
- listen to FM and Digital Audio Broadcasting (DAB) radio;
- play audio from Bluetooth-enabled devices.

What's in the box

Check and identify the contents of your package:

- FM/DAB radio
- Power adapter
- Quick start guide
- Safety & Warranty leaflet

Overview of the main unit



- ① **⏻**
 - Turn on the radio.
 - Switch to standby mode.
- ② **SOURCE**
 - Select a source: Bluetooth, DAB or FM radio.
- ③ **ⓘ/☰ INFO/MENU**
 - Press to display information in FM/DAB mode.
 - In working mode, press and hold to access the top menu.
- ④ **VOL knob**
 - Turn to adjust volume.
- ⑤ **Preset stations (1, 2, 3)**
 - Store /directly access preset 1, 2, or 3.
- ⑥ **PRESET**
 - Store radio stations.
 - Display and select preset stations.
- ⑦ **◀◀TUN**
 - In Bluetooth mode : Press to skip to the previous track .
 - In Tuner mode : Tune to a radio station .
 - Navigate through the menu list .
- ⑧ **TUN▶▶**
 - In Bluetooth mode : Press to skip to the next track .
 - In Tuner mode : Tune to a radio station .
 - Navigate through the menu list .
- ⑨ **SCAN/SELECT**
 - Press to confirm a selection.
 - Press and hold to auto scan all station in FM tuner mode.
- ⑩ **DISPLAY SCREEN**
 - Show current status.
- ⑪ **Radio antenna**
 - Improve radio reception.
- ⑫ **DC IN**
 - Connect to the supplied power adaptor .

3 Get started

Always follow the instructions in this chapter in sequence.

Prepare radio antenna

For better radio reception, fully extend and adjust the position of the antenna.

Note

- To prevent interference, position the antenna as far as possible from any other radiation sources.

Connect power

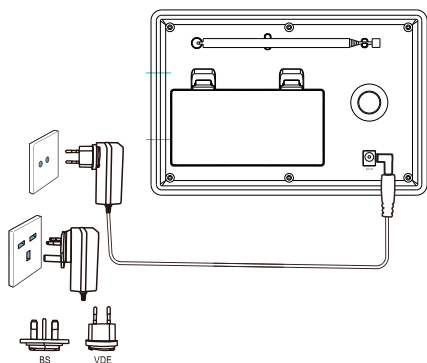
You can use this radio player on AC power or battery power:

Option 1: AC power

! Caution

- Risk of product damage! Make sure that the power voltage corresponds to the voltage printed on the back or underside of the radio.
- Risk of electric shock! When you unplug the AC plug, always pull the plug from the socket. Never pull the cord.

- 1 Connect the power adapter to:
 - the **DC IN** socket on the back of the radio, and the wall socket.



Option 2: Battery power

! Caution

- Batteries (battery pack or batteries installed) shall not be exposed to excessive heat such as sunshine, fire or the like.
- Danger of explosion if battery is incorrectly replaced. Replace only with the same equivalent type.
- Do not mix batteries (old and new or carbon and alkaline, etc.).
- Remove batteries if they are exhausted or if the unit is not to be used for a long time.

- 1 Open the battery compartment at the back of the unit.
- 2 Insert four R14/UM-2/C size batteries (not supplied) with correct polarity (+/-) as indicated, then close the battery compartment.
 - ↳ The unit is ready to operate.

! Caution

- A 'Battery low' Icon is shown when the battery power is low. Replace batteries or connect to AC power to ensure normal operation.

Note

- Batteries contain chemical substances, so they should be disposed of properly.

Turn on

- Press ϕ .
 - ↳ The radio switches to the last selected source.

Adjust the volume level

- Turn **-VOL +** repeatedly to adjust volume.

Switch to standby mode

- Press ϕ again.
 - ↳ The display panel is dimmed.
 - ↳ The time and date (if set) are displayed.

Note

- If the system is idle for 15 minutes, the radio switches to standby mode automatically.
- To increase battery life, you can turn off the unit completely by press and hold ϕ button. Press and hold ϕ button again to turn on the set again.

4 Listen to DAB radio

Tune to DAB radio stations

The first time you select DAB radio mode, or if the station list is empty, the radio performs a full scan automatically.

- Press **SOURCE** repeatedly to select **[DAB]** mode.
 - ↳ **[Scanning]** is displayed.
 - ↳ The radio scans and stores all the DAB radio stations automatically, and then broadcasts the first available station.
 - ↳ The station list is memorized in the radio. Next time when you turn on the radio, the station scan does not take place.

To tune to a station from the available station list:

- In DAB mode, press **TUN▶▶/◀◀TUN** to navigate through the available DAB stations.



Tip

- The stations may change from time to time. To update the station list, select the **[Full scan]** menu to perform full scan.

Store DAB radio stations



Note

- You can store a maximum of 20 preset DAB radio stations.

- 1 In DAB mode, tune to a DAB radio station.
- 2 Press and hold **PRESET** for two seconds.
 - ↳ The **Preset store** is displayed.
- 3 Press **TUN▶▶/◀◀TUN** to select a preset number.
- 4 Press **SCAN/SELECT** to confirm.
 - ↳ **[Preset stored]** is displayed.
 - ↳ The station is stored in the selected position.



Note

- At step 2, you can also press and hold preset key 1, 2 or 3 to save the current station to the corresponding position directly.
- To remove a preset DAB radio station, store another station in its place.

Select a preset DAB radio station

In DAB mode, you have two ways to select a preset radio station.

Option A:

- 1 Press **PRESET**.
↳ The **Preset Recall** is displayed.
- 2 Press **TUN▶▶/◀◀TUN** to select a preset number.
- 3 Press **SCAN/SELECT** to confirm.

Option B:

- Press the numeric key 1-3 directly.

Show DAB information

While listening to DAB radio, press **⓪/☰** repeatedly to scroll through the following information (if available):

- ↳ Radio mode
- ↳ Kitchen timer
- ↳ Sleep timer
- ↳ Dynamic Label Segment (DLS)
- ↳ Signal strength
- ↳ Program type (PTY)
- ↳ Ensemble name
- ↳ Frequency
- ↳ Signal error rate
- ↳ Bit rate and audio status
- ↳ Time
- ↳ Date

Use menu in DAB mode

- 1 In DAB mode, press and hold **⓪/☰** to access DAB menu.
- 2 Press **TUN▶▶/◀◀TUN** to scroll through the menu options:
 - **[Kitchen Timer]** : set kitchen timer.
 - **[Full scan]** : scan and store all the available DAB radio stations.
 - **[Manual tune]** : tune to a specific channel/frequency manually and add it to the station list.
 - **[DRC]** : compress the dynamic range of a radio signal, so that the volume of quiet sounds is increased, and the volume of loud sounds is reduced.
 - **[Prune]** : remove all the invalid stations from the station list.
 - **[Sleep]** : set sleep timer.
 - **[Clock]** : set time/date, select 12/24 hour, and set time synchronization.
 - **[Backlight]** : adjust backlight settings (3 options :Time out/ On level/ Dim level)
 - **[System]** : adjust system settings:
 - **[Language]** : set system language (English/ Deutsch/ Italiano/ Francais/ Nederlands/ Norwegian)
 - **[Factory Reset]** : reset the unit.
 - **[SW version]** : view software version.
- 3 To select an option, press **SCAN/SELECT** button.
- 4 Repeat steps 2 to 3 if any sub-option is available under one option.
 - To return to the previous menu, press **⓪/☰**.

Note

- If no button is pressed within 15 seconds, the menu exits.

5 Listen to FM radio

Tune to FM radio stations

- 1 Press **SOURCE** repeatedly to select **[FM]** mode.
- 2 Press and hold **TUN▶▶/◀◀TUN** for two seconds.
↳ The radio tunes to an FM radio station with strong reception automatically.
- 3 Repeat step 2 to tune to more radio stations.

To tune to a station manually:

- In FM tuner mode, press **TUN▶▶/◀◀TUN** repeatedly to select a frequency.

Store FM radio stations

Note

- You can store a maximum of 20 FM radio stations.

- 1 In FM mode, tune to an FM radio station.
- 2 Press and hold **PRESET** for two seconds.
↳ The **Preset store** is displayed.
- 3 Press **TUN▶▶/◀◀TUN** to select a preset number.
- 4 Press **SCAN/SELECT** to confirm.
↳ **[Preset stored]** is displayed.
↳ The station is stored in the selected position.

To store FM radio stations automatically

- Rather than manually storing stations, you can also let the unit automatically store found stations:
Press and hold **SCAN/SELECT** button to do auto scanning for the broadcasting radio channels, press it again to stop auto scanning.

Tip

- To remove a pre-stored station, store another station in its place.

Select a preset FM radio station

In FM mode, you have two ways to select a preset radio station.





Option A:

- 1 Press **PRESET**.
↳ The **Preset Recall** is displayed.
- 2 Press **TUN▶▶/◀◀TUN** to select a preset number;
- 3 Press **SCAN/SELECT** to confirm.

Option B:

- Press the numeric key 1-3 directly.


Use menu in FM mode

- 1 In FM mode, press and hold  to access FM menu.
- 2 Press **TUN**   **TUN** to scroll through the menu options:
 - [**Kitchen Timer**] : set kitchen timer.
 - [**Scan setting**] : select the scan sensitivity (strong station only or all station)
 - [**Sleep**] : set sleep timer.
 - [**Clock**] : set time/date, select 12/24 hour, and set time synchronization
 - [**Backlight**] : adjust backlight settings (3 options : Time out/ On level/ Dim level)
 - [**System**] : adjust system settings:
 - [**Language**] : set system language (English/ Deutsch/ Italiano/ Francais/ Nederlands/ Norwegian)
 - [**Factory Reset**] : reset the unit.
 - [**SW version**] : view software version.
- 3 To select an option, press **SCAN/SELECT** button.
- 4 Repeat steps 2 to 3 if any sub-option is available under one option.
 - To return to the previous menu, press .

Note

- If no button is pressed within 15 seconds, the menu exits.

Show FM information

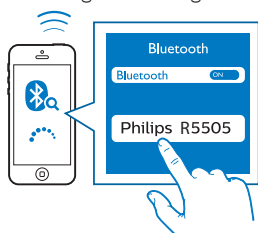
While listening to FM radio, press  repeatedly to scroll through the following information (if available):

- ↳ Radio mode
- ↳ Kitchen timer
- ↳ Sleep timer
- ↳ Radio text messages
- ↳ Program type
- ↳ Frequency
- ↳ Time
- ↳ Date

6 Other features

Play audio through Bluetooth

- 1 Press **SOURCE** repeatedly to select [**Bluetooth**] mode.
↳ [**Not Connected**] flashes on the display.
- 2 On your Bluetooth device, enable Bluetooth and search for Bluetooth devices.
- 3 Select [**Philips R5505**] from search results and tap to connect.
↳ After successful connection, the screen message will change to [**Connected**].



- [**System**] : adjust system settings:
 - [**Language**] : set system language (English/ Deutsch/ Italiano/ Francais/ Nederlands/ Norwegian)
 - [**Factory Reset**] : reset the unit.
 - [**SW version**] : view software version.

- 3 To select an option, press **SCAN/SELECT** button.
- 4 Repeat steps 2 to 3 if any sub-option is available under one option.
 - To return to the previous menu, press **⏪/≡**.

Note

- If no button is pressed within 15 seconds, the menu exits.

Kitchen Timer

You can set a time period after which the product buzzes.

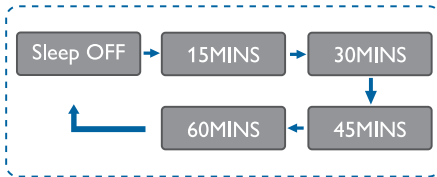
- 1 Select [**Kitchen Timer**] under menu
↳ The hour digits blink.
- 2 Press **TUN▶▶/◀◀TUN** repeatedly to set the hour, and then press **SCAN/SELECT** to confirm.
↳ The minute digits blink.
- 3 Press **TUN▶▶/◀◀TUN** repeatedly to set the minute, and then press **SCAN/SELECT** to confirm.
↳ The second digits blink.
- 4 Press **TUN▶▶/◀◀TUN** repeatedly to set the second, and then press **SCAN/SELECT** to confirm.
 - To stop the buzzer, press any key on the unit.

Use menu in Bluetooth mode

- 1 In Bluetooth mode, press and hold **⏪/≡** to access Bluetooth menu.
- 2 Press **TUN▶▶/◀◀TUN** to scroll through the menu options:
 - [**Kitchen Timer**] : set kitchen timer.
 - [**Scan setting**] : select the scan sensitivity (strong station only or all station)
 - [**Sleep**] : set sleep timer
 - [**Clock**] : set time/date, select 12/24 hour, and set time synchronization
 - [**Backlight**] : adjust backlight settings (3 options :Time out/ On level/ Dim level)

7 Product information

Sleep Timer



- 1 Select [Sleep] menu.
- 2 Press **TUN▶▶/◀◀TUN** repeatedly to select the sleep timer period (in minutes).
 - ↳ When [Sleep OFF] is displayed, the sleep timer is deactivated.

Specifications

Amplifier

Rated Output Power	5W RMS
Signal to Noise Ratio	> 65 dBA

Tuner

Tuning Range(FM)	87.5-108 MHz
Tuning Range(DAB)	174.928-239.2MHz (Band III)

Speaker

Speaker Impedance	4 ohm
Sensitivity	86 ± 3dB/m/W

Bluetooth

Bluetooth Version	V5.0
Bluetooth Frequency Band	2.4 Ghz ~ 2.48 GHz ISM Band
Maximum transit power	-4.1 dBm
Bluetooth Range	10 m(free space)

General information

AC Power(power adapter)	Brand name:PHILIPS Input: 100-240V~, 50/60Hz Output:7.5V == 1.0A
Operation Power Consumption	≤ 8W
Standby Power	≤ 1W

Dimensions

Main Unit (W x H x D)	206.6x140.6x106mm
-----------------------	-------------------

Weight

Main Unit	0.85kg
-----------	--------

8 Troubleshooting



Warning

- Never remove the casing of this device.

To keep the warranty valid, never try to repair the system yourself.

If you encounter problems when using this device, check the following points before requesting service. If the problem remains unsolved, go to the Philips Web page (www.philips.com/support). When you contact Philips, make sure that the device is nearby and the model number and serial number are available.

No power

- Make sure that the AC power plug of the radio is connected properly.
- Make sure that there is power at the AC outlet .

No sound or poor sound.

- Adjust the volume.
- Check whether the radio is muted or the radio station is still buffering.
- Fully extend and adjust the position of the radio antenna.
- Keep the radio away from other electronic devices to avoid radio interference.

No response from the radio

- Disconnect and reconnect the AC power plug, then turn on the radio again.
- Check if the radio is in standby mode. If yes, turn on the radio.

Poor radio reception

- Keep the radio away from other electronic devices to avoid radio interference.
- Fully extend and adjust the position of the radio antenna.

Some stations do not work sometimes

- Some stations can only support a limited number of listeners. If you try again after a few minutes, you will be able to listen to the stations.
- The station is not broadcasting. Try again later.

9 Notice

Any changes or modifications made to this device that are not expressly approved by **MMD Hong Kong Holding Limited** may void the user's authority to operate the equipment.

Declaration of conformity



This product complies with the radio interference requirements of the European community. Hereby, MMD Hong Kong Holding Limited declares that the product is in compliance with the essential requirements and other relevant provisions of RED Directive 2014/53/EU and UK radio Equipment Regulations IS 2017 No 1206. You can find the Declaration of Conformity on www.philips.com/support.

Care of the environment

Disposal of your old product and battery



Your product is designed and manufactured with high quality materials and components, which can be recycled and reused.



This symbol on a product means that the product is covered by European Directive 2012/19/EU.



This symbol means that the product contains batteries covered by European Directive 2013/56/EU which cannot be disposed of with normal household waste.

Inform yourself about the local separate collection system for electrical and electronic products and batteries. Follow local rules and never dispose of the product and batteries with normal household waste. Correct disposal of old products and batteries helps prevent negative consequences for the environment and human health.

Removing the disposable batteries

To remove the disposable batteries, see battery installation section.

Environmental information

All unnecessary packaging has been omitted. We have tried to make the packaging easy to separate into three materials: cardboard (box), polystyrene foam (buffer) and polyethylene (bags, protective foam sheet.)

Your system consists of materials which can be recycled and reused if disassembled by a specialized company. Please observe the local regulations regarding the disposal of packaging materials, exhausted batteries and old equipment.

Trademark notice



The Bluetooth® word mark and logos are registered trademarks owned by Bluetooth SIG, Inc. and any use of such marks by

MMD Hong Kong Holding Limited

is under license. Other trademarks and trade names are those of their respective owners.



Specifications are subject to change without notice.

Philips and the Philips Shield Emblem are registered trademarks of Koninklijke Philips N.V. and are used under license. This product has been manufactured by and is sold under the responsibility of MMD Hong Kong Holding Limited or one of its affiliates, and MMD Hong Kong Holding Limited is the warrantor in relation to this product.

