



Philips  
Headphones with mic

32mm drivers/closed-back  
On-ear

SHL3065BL

## Clear and powerful bass

DJ style monitoring headphones with mic

This DJ inspired headphone creates powerful sound and bass. Designed with rotating and soft cushioned earshells, you will get a perfect listening experience on the go.

### Perfect listening experience

- 32mm speaker drivers for powerful and dynamic sound
- Closed type acoustics provide good sound isolation

### Comfortable for long use

- Adjustable earshells and headband adapts to fit your head
- Soft breathable ear cushions for long listening sessions

### Convenience

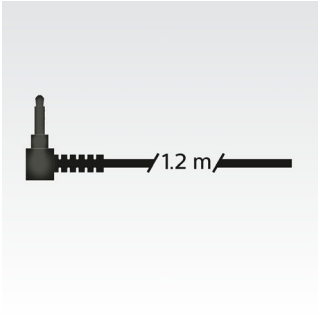
- 1.2m cable for freedom of music enjoyment on the go
- compact, fold flat design for easy storage on the go
- In-line mic and pick up button for easy handsfree calls

# PHILIPS

Headphones with mic  
32mm drivers/closed-back On-ear

## Highlights

### 1.2m long cable



1.2m cable for freedom of music enjoyment on the go

### 32mm speaker driver



32mm high-powered drivers deliver clear, detailed and natural sound.

### Adjustable earshells, headband



Adjustable earshells and headband adapts to fit your head

### Closed type acoustic



Closed type acoustics provide good sound isolation, blocking out ambient noise

### Compact and fold flat

Made to give you the best experience on the go, these DJ monitoring style headphones can be folded away for perfect portability and easy storage.

### In-line mic and pick up button



In-line mic and pick up button for easy handsfree calls

### Soft ear cushions



Soft breathable ear cushions for long listening sessions

SHL3065BL/00

## Specifications

### Design

- Color: Blue

### Sound

- Acoustic system: closed
- Frequency response: 10 - 22,000 Hz
- Impedance: 24 Ohm
- Magnet type: Neodymium
- Maximum power input: 1000 mW
- Sensitivity: 106 dB
- Speaker diameter: 32 mm
- Diaphragm: PET
- Type: Dynamic

### Connectivity

- Cable length: 1.2 m
- Cable Connection: two-sided
- Connector: 3.5 mm

### Outer Carton

- Gross weight: 3.439 lb
- Gross weight: 1.56 kg
- GTIN: 1 69 25970 70084 6
- Outer carton (L x W x H): 29.7 x 21 x 25.5 cm
- Outer carton (L x W x H): 11.7 x 8.3 x 10 inch
- Nett weight: 1.653 lb
- Nett weight: 0.75 kg
- Number of consumer packagings: 6
- Tare weight: 0.81 kg
- Tare weight: 1.786 lb

### Packaging dimensions

- Packaging type: Blister
- Type of shelf placement: Both
- Packaging dimensions (W x H x D): 19.5 x 22.2 x 4.5 cm
- Packaging dimensions (W x H x D): 7.7 x 8.7 x 1.8 inch
- EAN: 69 25970 70084 9
- Gross weight: 0.227 kg
- Gross weight: 0.5 lb
- Nett weight: 0.275 lb
- Nett weight: 0.125 kg
- Number of products included: 1
- Tare weight: 0.225 lb
- Tare weight: 0.102 kg



Issue date 2017-07-15

Version: 3.1.4

12 NC: 8670 001 22328  
EAN: 69 25970 70084 9

© 2017 Koninklijke Philips N.V.  
All Rights reserved.

Specifications are subject to change without notice.  
Trademarks are the property of Koninklijke Philips N.V.  
or their respective owners.

[www.philips.com](http://www.philips.com)