



Philips
Headphones

32-mm drivers/closed-back
On-ear

SHL3160PK

Dynamic and solid bass

DJ-style monitoring headphones

This DJ-inspired headphone provides you with powerful sound and bass. With the rotating and soft cushioned ear shells, you will get a perfect listening experience on the go.

Comfortable for long use

- Adjustable ear shells and headband adapts to fit your head
- Soft, breathable ear cushions for long listening sessions

Perfect listening experience

- 32-mm speaker drivers for powerful and dynamic sound
- Closed-type acoustics provide good sound isolation

Convenience

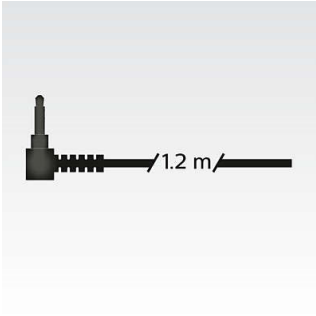
- 1.2 m cable for freedom of music enjoyment on the go
- compact, fold-flat design for easy storage on the go

PHILIPS

Headphones
32-mm drivers/closed-back On-ear

Highlights

1.2-m long cable



1.2 m cable for freedom of music enjoyment on the go

32-mm speaker driver



32-mm high-powered drivers deliver clear, detailed and natural sound.

Adjustable ear shells, headband



Adjustable ear shells and headband adapts to fit your head

Closed-type acoustics



Closed-type acoustics provide good sound isolation, blocking out ambient noise

Compact and fold flat

Made to give you the best experience on the go, these DJ monitoring-style headphones can be folded away for perfect portability and easy storage.

Soft ear cushions



Soft, breathable ear cushions for long listening sessions

SHL3160PK/00

Specifications

Sound

- Acoustic system: closed
- Frequency response: 8–22,000 Hz
- Speaker diameter: 32 mm
- Diaphragm: PET
- Impedance: 24 Ohm
- Magnet type: Neodymium
- Type: Dynamic
- Maximum power input: 1500 mW
- Sensitivity: 107 dB

Connectivity

- Cable length: 1.2 m
- Cable Connection: two-sided
- Connector: 3.5 mm

Design

- Colour: Pink



Issue date 2024-03-12

Version: 2.1.3

EAN: 69 25970 70087 0

© 2024 Koninklijke Philips N.V.
All Rights reserved.

Specifications are subject to change without notice.
Trademarks are the property of Koninklijke Philips N.V.
or their respective owners.

www.philips.com