

Register your product and get support at  
[www.philips.com/welcome](http://www.philips.com/welcome)

Indoor wireless headphones

SHC5102

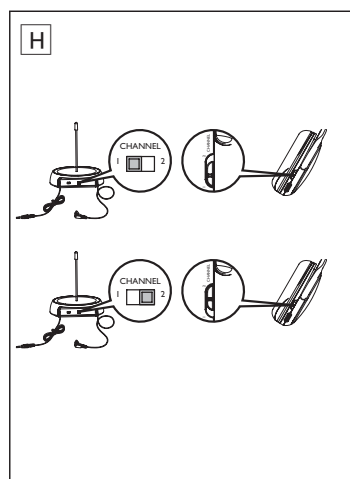
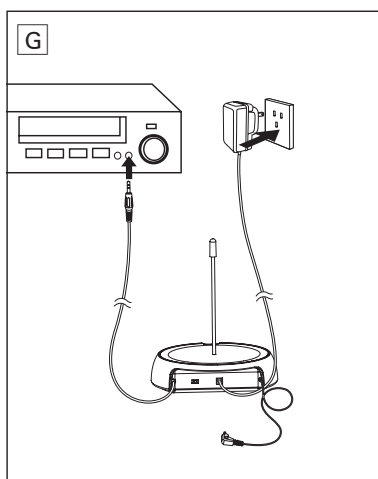
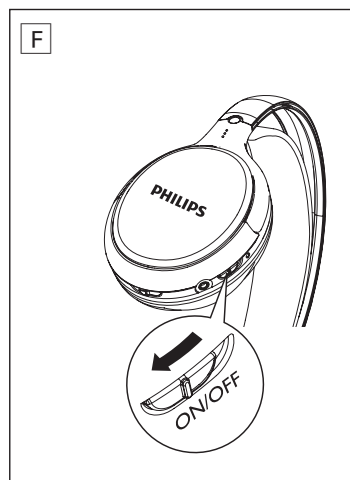
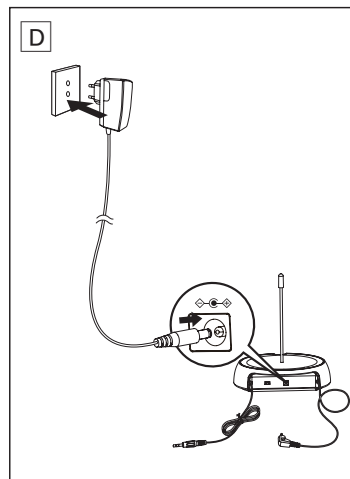
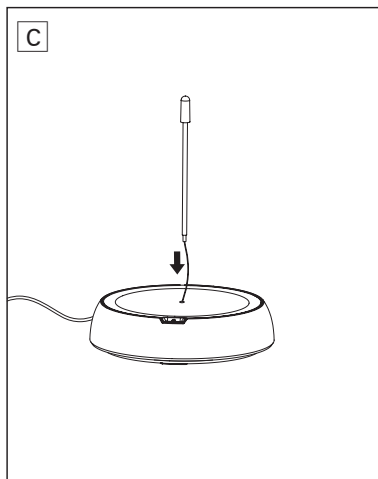
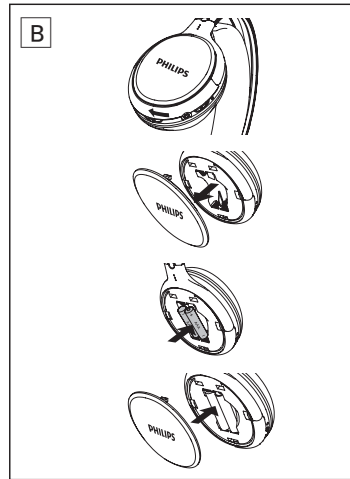
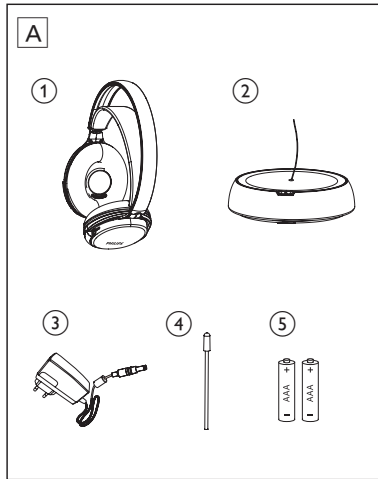


---

EN User manual

---

**PHILIPS**



# Contents

---

1	What's in the box	4
2	Get started	5
3	Product version table	6

# 1 What's in the box

1) 2 × Headphones	2) Transmitter
3) AC/DC adaptor	4) Antenna tube
5) 4 × AAA rechargeable shortened sleeve NiMH batteries (SBC HB550L)	

## 2 Get started

### Note

- Before using the headphones for the first time, charge the supplied batteries for at least 10 hours.
- **Only use Philips rechargeable shortened sleeve NiMH batteries with your headphones. Other types of rechargeable batteries cannot be charged with this system.**
- **AAA alkaline batteries can be used to operate the headphones, but cannot be charged with this system.**
- If the volume of the audio source is insufficient, the transmitter automatically turns off.

- 1 Install/Replace supplied batteries (Fig. B).
- 2 Install the antenna tube into the transmitter (Fig. C).
- 3 Power on the transmitter (Fig. D).
  - ↳ Red LED is on when audio source is connected.
  - ↳ Red LED blinks if no audio source is connected for two minutes.
  - ↳ Red LED is off if no audio source is connected for four minutes.
- 4 To charge the headphones, connect the charging cable with the headphones (Fig. E).
  - ↳ Headphones: red LED is off during charge.
  - ↳ Transmitter: green LED is on during charge and is off when headphones are fully charged.  
When one headphone is during charge, another one can still be used.
  - ↳ Transmitter: both red and green LED are on.
- 5 Power on the headphones and red LED is on (Fig. F).
- 6 Connect the audio device with the transmitter (Fig. G).
  - ↳ Red LED is on when audio source is connected.

### Tip

- If there is interference, tune the transmitter and the headphones to the same channel (Fig. H).

### 3 Product version table

Version / Region	Adaptor type number	Input voltage / frequency	Output voltage	Carrier / Reception frequency	
				Channel 1	Channel 2
/10 Europe	SVV-005-080-020-A2	100-240V / 50/60Hz	8V 200mA	863.5MHz	864.5MHz
/05 UK	SBH-005-080-020-A2	100-240V / 50/60Hz	8V 200mA	863.5MHz	864.5MHz
/79 AUS & NZ	SSH-005-080-020-A2	100-240V / 50/60Hz	8V 200mA	863.5MHz	864.5MHz

For further product support, please visit [www.philips.com/welcome](http://www.philips.com/welcome)

