

Always there to help you

Register your product and get support at
www.philips.com/support



CE233



User manual

PHILIPS

Contents

1 Safety	2	9 Additional information	17
		Charge your USB device	17
2 Your car audio system	3	Reset the system	17
Introduction	3	Replace the fuse	17
What's in the box	3		
Overview of the system	4	10 Product information	18
3 Install the car audio system	7	11 Troubleshooting	18
Connect wires	7		
Mount into the dashboard	8	12 Notice	19
Attach the front panel	9	Care of the environment	19
		Trademark notice	19
4 Get started	10	Copyright	19
For the first time use	10		
Set the time format	10		
Set the clock	10		
Select a source	10		
Select a listening zone	10		
Mute the button beep	11		
5 Listen to radio	11		
Switch to radio mode	11		
Select a tuner region	11		
Select a tuner sensitivity	11		
Search for a radio station	12		
Store radio stations in memory	12		
Play with RDS	12		
6 Play from a storage device	14		
Control play	15		
Switch tracks	15		
7 Listen to an external player	16		
8 Adjust sound	16		

1 Safety

Read and understand all instructions before you use this device. If damage is caused by failure to follow instructions, the warranty does not apply.

- Modification of the product could result in hazardous radiation of EMC or other unsafe operation.
- The device is designed for negative ground (earth) 12V DC operation only.
- To ensure safe driving, adjust the volume to a safe and comfortable level.
- Improper fuses can cause damage or fire. When you need to change the fuse, consult a professional.
- Use only the supplied mounting hardware for a safe and secure installation.
- To avoid short circuits, do not expose the device to rain or water.
- The device shall not be exposed to dripping or splashing.
- Do not place any sources of danger on the device (e.g. liquid filled objects, lighted candles).
- Never insert objects into the ventilation slots or other openings on the device.
- Clean the device with soft, damp cloth. Never use substances such as alcohol, chemicals or household cleaners on the device.

2 Your car audio system

Congratulations on your purchase, and welcome to Philips! To fully benefit from the support that Philips offers, register your product at www.philips.com/welcome.

Introduction

With this system, you can:

- enjoy audio from USB storage devices, SD card, SDHC card, and other external players, and
- listen to radio stations.

You can enrich sound output with these sound effects:

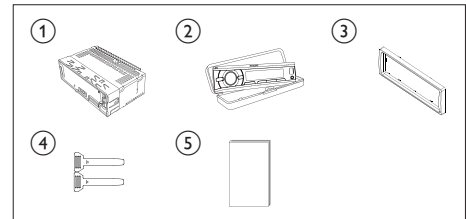
- Dynamic bass boost (DBB)
- Digital sound control (DSC)

Playable media:

- USB storage device
 - Compatibility: USB 2.0, USB 1.1
 - Class support: MSC (Mass Storage Class)
 - Maximum capacity: 32 GB
- SD/SDHC card
 - Maximum capacity: 32 GB
- Files
 - File system: FAT16, FAT32
 - Maximum number of folders: 99
 - Maximum number of tracks/files: 999
 - Maximum level of directory: 8
 - .mp3 files
 - Sampling frequencies: 32 kHz, 44.1 kHz, 48 kHz
 - Bitrates: 8-320 kbps and variable bitrates
 - ID3 tag V2.0 or later
 - **Unsupported files:**
AAC, WAV, and PCM files

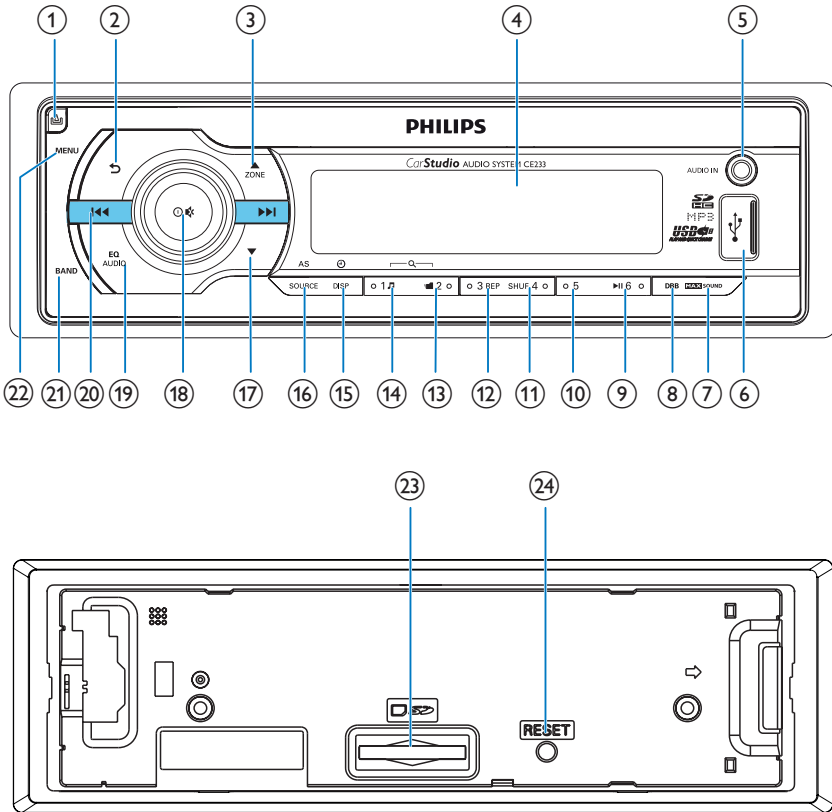
What's in the box

Check and identify the contents of the package:



- ① Main unit (with a sleeve)
- ② Carrying case (with front panel included)
- ③ Trim plate
- ④ Disassembly tool X 2
- ⑤ User manual

Overview of the system



- ①
 - Unlock the front panel.
- ②
 - Return to the previous menu.
- ③
 - For .mp3 tracks, press to select the previous folder.
 - In radio mode, press to select a tuner band.
 - Press and hold to activate the selection of listening zones.
- ④ LCD screen
- ⑤ AUDIO IN
 - Connect to the audio output socket (usually the headphone socket) of an external device.
- ⑥
 - Connect to a USB storage device.
- ⑦ **MAX SOUND**
 - Press to enable or disable the **MAX Sound** feature.
- ⑧ **DBB**
 - Press to enable or disable the **DBB** (dynamic bass boost) sound effect.

9 

- Start, pause, or resume the play of tracks.
- In radio mode, press to select the preset radio station of No. 6.
- In radio mode, press and hold to store the current radio station at channel No. 6.

10 5

- In radio mode, press to select the preset radio station of No. 5.
- In radio mode, press and hold to store the current radio station at channel No. 5.

11 SHUF 4

- In radio mode, press to select the preset radio station of No. 4.
- In radio mode, press and hold to store the current radio station at channel No. 4.
- For .mp3 tracks, press repeatedly to select a play mode: play all tracks randomly ([SHU ALL]), play tracks in the current folder randomly ([SHU FLD]), or play all tracks in the storage device in sequence ([SHU OFF]).

12 3 REP


- In radio mode, press to select the preset radio station of No. 3.
- In radio mode, press and hold to store the current radio station at channel No. 3.
- For .mp3 tracks, press repeatedly to select a repeat mode: repeat the current track ([REP ONE]), repeat all tracks in the current folder ([RPT FLD]), or repeat all tracks in the storage device ([RPT ALL]).

13  2

- In radio mode, press to select the preset radio station of No. 2.
- In radio mode, press and hold to store the current radio station at channel No. 2.
- For .mp3 tracks, press to access the folder list.

14 1 

- In radio mode, press to select the preset radio station of No. 1.
- In radio mode, press and hold to store the current radio station at channel No. 1.
- For .mp3 tracks, press to access the track list.

15  /DISP

- Press repeatedly to display available information about the current track.
- Press repeatedly to display available RDS information.
- Press and hold to display the set clock.

16 AS/SOURCE

- Press repeatedly to select a source.
- In radio mode, press and hold to activate the automatic search of radio stations.

17 

- For .mp3 tracks, press to select the next folder.
- In radio mode, press to select a tuner band.

18  


- Press to turn on the system.
- Press and hold to turn off the system.
- Press to mute the speakers or release them from mute status.
- Press to confirm an option.
- Rotate to switch between menu options.
- Rotate to adjust the volume level.

19 EQ AUDIO 

- Press repeatedly to select a preset sound equalizer.
- Press and hold to activate the setup of bass, treble, balance, and fader.

20  

- Tune to a radio station.
- Press to skip to the previous/next track.
- Press and hold to rewind a track or search fast forward.

- ②1 **BAND**
 - Press repeatedly to select a tuner band.
- ②2 **MENU**
 - Press to access the system menu.
- ②3  **SD**
 - Insert an SD/SDHC card.
- ②4 **RESET**
 - Press to reset the system to factory default settings.

3 Install the car audio system



Caution

- Use the controls only as stated in this user manual.

Always follow the instructions in this chapter in sequence.

These instructions are for a typical installation. However, if your car has different requirements, make the adjustment accordingly. If you have any question regarding installation kits, consult your local retailer.



Note

- This system is designed for negative ground (earth) 12V DC operation only.
- Always install this system in the car dashboard. Other locations can be dangerous as the rear of the system heats up during use.
- To avoid short-circuit: before you connect, make sure that the ignition is off.
- Make sure that you connect the yellow and red power supply leads after all other leads are connected.
- Make sure that all loose leads are insulated with electrical tape.
- Make sure that the leads do not get caught under screws iron parts that will move (e.g. seat rail).
- Make sure that all ground (earth) leads are run to a common ground (earth) point.
- Use only the supplied mounting hardware for a safe and secure installation.
- Improper fuses can cause damage or fire. When you need to change the fuse, consult a professional.
- When you connect other devices to this system, make sure that the rating of the car circuit is higher than the total fuse value of all the connected devices.
- Never connect speaker wires to the metal body or chassis of the car.
- Never connect speaker wires with stripes to one another.

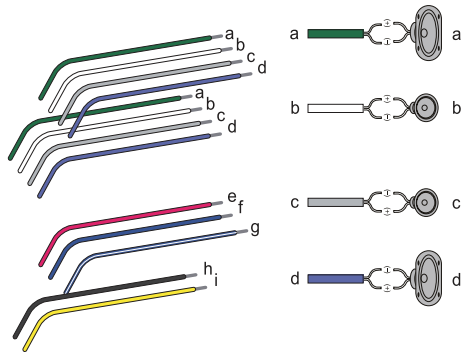
Connect wires



Note

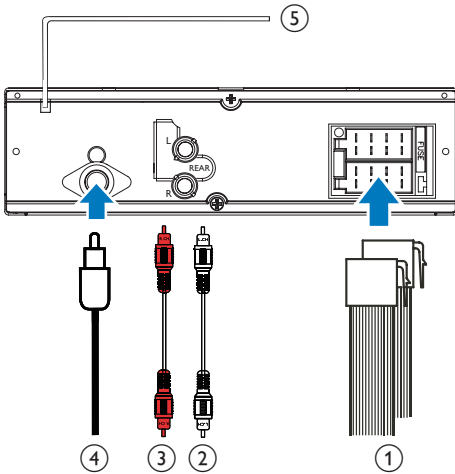
- Make sure that all loose leads are insulated with electrical tape.
- Consult a professional to connect wires as instructed below.

1 Check the car's wiring carefully and connect them to the the ISO male connectors.



	ISO male connectors	Connect to
a	Green strip, black-edged green strip	Rear left speaker
b	White strip, black-edged white strip	Front left speaker
c	Gray strip, black-edged gray strip	Front right speaker
d	Purple strip, black-edged purple strip	Rear right speaker
e	Red strip	Ignition key +12V DC when ON/ACC
f	Blue strip	Motor/electric antenna relay control lead
g	White-edged blue strip	Amplifier relay control lead
h	Black strip	Ground
i	Yellow strip	To the +12V car battery which is energized at all times

- 2 Connect the antenna and amplifier as illustrated, if applicable.



Sockets on rear panel	External sockets or connectors
1 For ISO male connectors	As indicated above
2 REAR L	Rear left speaker
3 REAR R	Rear right speaker
4 ANTENNA	Antenna
5 Purple strip	OE remote control module



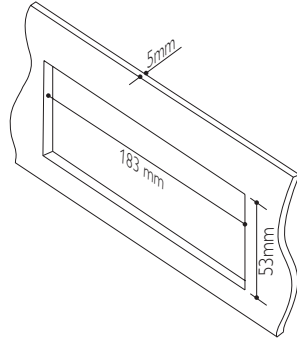
Tip

- The pin arrangement for the ISO connectors depends on the type of your vehicle. To avoid damage to the unit, connect properly.

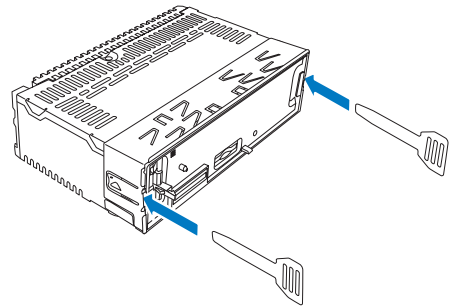
Mount into the dashboard

- If the car does not have an on-board drive or navigation computer, disconnect the negative terminal of the car battery.
- If the car battery is not disconnected, to avoid short-circuit, make sure that the bare wires do not touch each other.

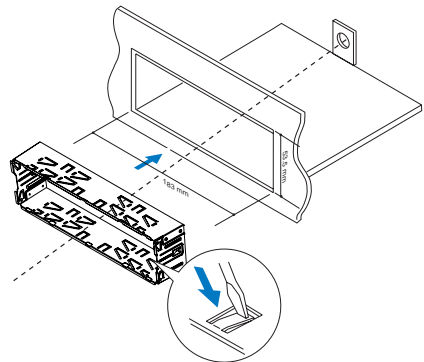
- 1 Make sure that the car dashboard opening is within these measurements:



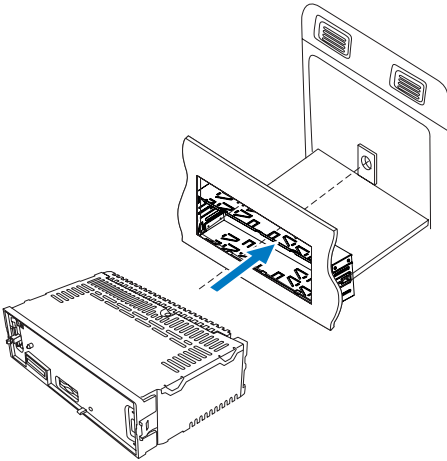
- 2 Remove the mounting sleeve with the supplied disassembly tools.



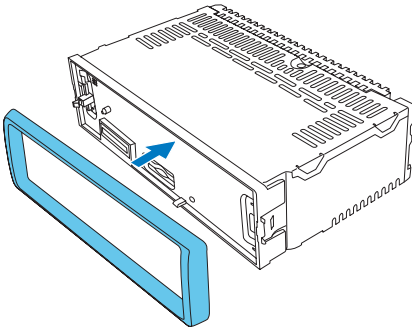
- 3 Install the sleeve into the dashboard and bend the tabs outward to fix the sleeve.



- 4 Slide the unit into the sleeve until you hear a "click".



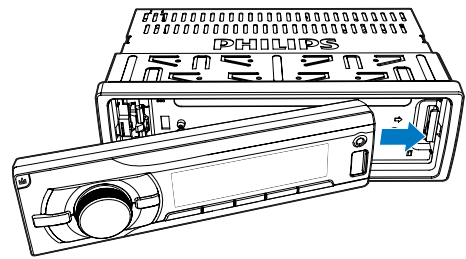
- 5 Attach the trim plate.



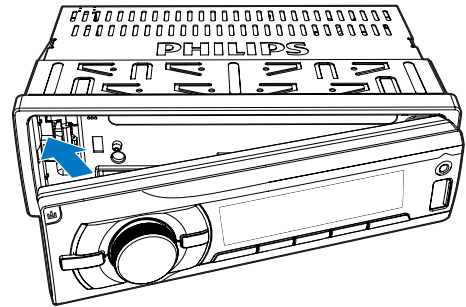
- 6 Reconnect the negative terminal of the car battery.

Attach the front panel

- 1 Insert the notch on the front panel to the chassis on the main unit.




- 2 Press the left end of the front panel inwards until it is securely locked with a "click".

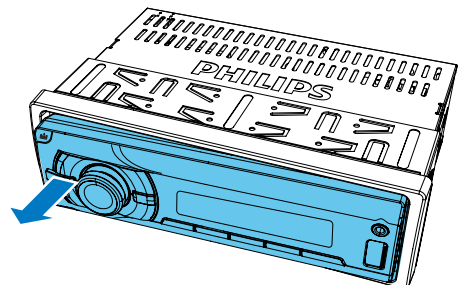


Detach the front panel

Note

- Before you insert an SD/SDHC card or reset the system, detach the front panel.
- Before you detach the front panel, make sure that the system is turned off.

- 1 Press  to release the front panel.
- 2 Pull the front panel outwards to remove it.



4 Get started

For the first time use

- 1 Press **⊙** to turn on the system.
↳ **[PHILIPS]** is displayed and then **[SELECT OPERATING REGION]** (select a radio region) scrolls.
- 2 When one of the following options is displayed, rotate **⊙** to select a radio region that matches your location.
 - **[AREA EUROPE]** (Western Europe)
 - **[AREA ASIA]** (Asia Pacific)
 - **[AREA MID--EAST]** (Middle East)
 - **[AREA AUST]** (Australia)
 - **[AREA RUSSIA]** (Russia)
 - **[AREA USA]** (United States)
 - **[AREA LATIN]** (Latin America)
 - **[AREA JAPAN]** (Japan)
- 3 Press **⊙** to confirm.
↳ The system switches to radio mode automatically.
 - To turn off the system, press and hold **⊙** until the screen backlight is off.

Set the time format

- 1 Press **MENU** to access the system menu.
- 2 Press **▲** / **▼** repeatedly until **[CLK 24H]** or **[CLK 12H]** is displayed.
- 3 Rotate **⊙** to select **[CLK 24H]** or **[CLK 12H]**.
 - **[CLK 24H]**: 24-hour time format
 - **[CLK 12H]**: 12-hour time format

Set the clock

- 1 Press **MENU** to access the system menu.
- 2 Press **▲** / **▼** repeatedly until **[CLK]** is displayed with time digits blinking.
- 3 Rotate **⊙** anti-clockwise to set the hour.
- 4 Rotate **⊙** clockwise to set the minute.

Display the clock

Press and hold **⊙/DISP** until **[CLK]** and the set clock are displayed.

- To exit the clock display, press any button or rotate **⊙**.

Select a source

Press **AS/SOURCE** repeatedly to select a source.

- **[RADIO]**: Listen to FM/AM radio.
- **[AUDIO IN]**: Listen to the audio input through the **AUDIO IN** socket.
- **[USB]**: When a USB storage device is connected and recognized, you can select this source to play audio files that are stored on it.
- **[SD/SDHC]**: When an SD/SDHC card is inserted and recognized, you can select this source to play audio files that are stored on it.

Select a listening zone

- 1 Press and hold **▲** until one of the following options is displayed.
 - **[ALL]**: For all passengers
 - **[FRONT-L]**: For the front-left seat only
 - **[FRONT-R]**: For the front-right seat only
 - **[FRONT]**: For front passengers only
- 2 Press **▲** / **▼** repeatedly to select a listening zone.

Mute the button beep

The beep sound of buttons is enabled by default.

- 1 Press **MENU** to access the system menu.
- 2 Press **▲** / **▼** repeatedly until **[BEEP ON]** or **[BEEP OFF]** is displayed.
 - **[BEEP ON]**: Enable the beep sound of buttons.
 - **[BEEP OFF]**: Mute the beep sound of buttons.
- 3 Rotate **⊙** / **⊛** to change the setting.

5 Listen to radio

Switch to radio mode

- 1 Press **AS/SOURCE** repeatedly to switch the source to **[RADIO]**.
- 2 Press **▲** / **▼** / **BAND** repeatedly to select a band.

Select a tuner region

You can select a radio region that matches your location.

- 1 Press **MENU** to access the system menu.
- 2 Press **▲** / **▼** repeatedly until one of the following options is displayed.
 - **[AREA EUROPE]** (Western Europe)
 - **[AREA ASIA]** (Asia Pacific)
 - **[AREA MID--EAST]** (Middle East)
 - **[AREA AUST]** (Australia)
 - **[AREA RUSSIA]** (Russia)
 - **[AREA USA]** (United States)
 - **[AREA LATIN]** (Latin America)
 - **[AREA JAPAN]** (Japan)
- 3 Rotate **⊙** / **⊛** to select a region.

Select a tuner sensitivity

To search for radio stations with strong signals only or more radio stations, you can change the tuner sensitivity.

- 1 Press **MENU** to access the system menu.
- 2 Press **▲** / **▼** repeatedly until **[LOC ON]** or **[LOC OFF]** is displayed.
- 3 Rotate **⊙** / **⊛** to select a setting.
 - **[LOC ON]**: Search for radio stations with strong signals only.

- **[LOC OFF]**: Search for radio stations with strong and weak signals.

Search for a radio station

Search for a radio station automatically

Press **◀** or **▶** to search for the previous or next radio station with strong signals.

Search for a radio station manually

- 1 Press and hold **◀** or **▶** until **[M]** blinks.
- 2 Press **◀** or **▶** repeatedly until the target frequency is displayed.

Store radio stations in memory



Note

- You can store a maximum of six stations in each band.

Store radio stations automatically

- 1 Press **▲** / **▼** / **BAND** repeatedly to select a band.
- 2 Press and hold **AS/SOURCE** until **[STORE---**] is displayed.
 - ↳ After the search is complete, the first stored radio station is broadcast automatically.
 - To select a stored radio station, press **1**, **2**, **3 REP**, **SHUF**, **4**, **5**, or **▶**.

Store radio stations manually

- 1 Press **▲** / **▼** / **BAND** repeatedly to select a band.
- 2 Tune to the radio station that you want to store.
- 3 Press and hold **1**, **2**, **3 REP**, **SHUF**, **4**, **5**, or **▶** to store the radio station at the selected channel.
 - To select a stored radio station, press **1**, **2**, **3 REP**, **SHUF**, **4**, **5**, or **▶**.

Play with RDS

The RDS (Radio Data System) function operates only in areas with FM stations broadcasting RDS signals. If you tune to an RDS station, the station name is displayed.

Enable the RDS function



Note

- The RDS function is enabled by default.
- Only when the RDS function is enabled, RDS related settings can be accessed.

- 1 Press **MENU** to access the system menu.
- 2 Press **▲** / **▼** repeatedly until **[RDS ON]** or **[RDS OFF]** is displayed.
- 3 Rotate **⊙** to select **[RDS ON]**.
 - ↳ The RDS function is enabled.
 - To disable the RDS function, rotate **⊙** to select **[RDS OFF]**.

Select a program type

Before tuning to RDS stations, you can select a program type to search for programs of the selected category only.

- 1 Press **MENU** to access the system menu.
- 2 Press **▲** / **▼** repeatedly until **[PTY]** is displayed.

- 3 Press to access the list of program types.
- 4 Rotate to select a program type, and then press to confirm.

Item	Program type	Description
1	NEWS	News services
2	AFFAIRS	Politics and current affairs
3	INFO	Special information programs
4	SPORT	Sports
5	EDUCATE	Education and advanced training
6	DRAMA	Radio plays and literature
7	CULTURE	Culture, religion and society
8	SCIENCE	Science
9	VARIED	Entertainment programs
10	POP M	Pop music
11	ROCK M	Rock music
12	EASY M	Light music
13	LIGHT M	Light classical music
14	CLASSICS	Classical music
15	OTHER M	Special music programs
16	WEATHER	Weather
17	FINANCE	Finance
18	CHILDREN	Children's programs
19	SOCIAL	Social Affairs
20	RELIGION	Religion
21	PHONE IN	Phone In
22	TRAVEL	Travel
23	LEISURE	Leisure
24	JAZZ	Jazz Music
25	COUNTRY	Country Music
26	NATION M	National Music
27	OLDIES	Oldies Music
28	FOLK M	Folk Music
29	DOCUMENT	Documentary
30	TEST	Alarm Test
31	ALARM	Alarm

Use alternate frequencies

If the signal of an RDS station is poor, enable the AF (Alternate Frequency) function to search for another station that broadcasts the same program.

- 1 Press **MENU** to access the system menu.
- 2 Press / repeatedly until **[AF ON]** or **[AF OFF]** is displayed.
- 3 Rotate to select a setting.
 - **[AF ON]**: Enable the AF function.
 - **[AF OFF]**: Disable the AF function.

Set the region for AF tuning

You can set the region for AF tuning.

- 1 Press **MENU** to access the system menu.
- 2 Press / repeatedly until **[REG ON]** or **[REG OFF]** is displayed.
- 3 Rotate to select a setting.
 - **[REG ON]**: Only RDS stations in current region can be tuned to automatically.
 - **[REG OFF]**: All RDS stations can be tuned to automatically.

Receive traffic announcement

If you want to receive traffic announcement, enable the TA (Traffic Announcement) function.

- 1 Press **MENU** to access the system menu.
- 2 Press / repeatedly until **[TA ON]** or **[TA OFF]** is displayed.
- 3 Rotate to select a setting.
 - **[TA ON]**: When a traffic announcement is on air, the system automatically switches to the tuner mode and begins to broadcast the traffic announcement. When the traffic announcement is over, the system returns to the previous mode.
 - **[TA OFF]**: Traffic announcement does not cut in.



Tip

- When a traffic announcement cuts in, you can press to switch the system to the previous mode.

Synchronize the system clock

You can synchronize the system clock with an RDS station that transmits time signals.

- 1 Press **MENU** to access the system menu.
- 2 Press **▲** / **▼** repeatedly until **[CT ON]** or **[CT OFF]** is displayed.
- 3 Rotate **⊙** to select a setting.
 - **[CT ON]**: Synchronize the system clock with the RDS station automatically.
 - **[CT OFF]**: The automatic clock synchronization with RDS station is disabled.

Tip

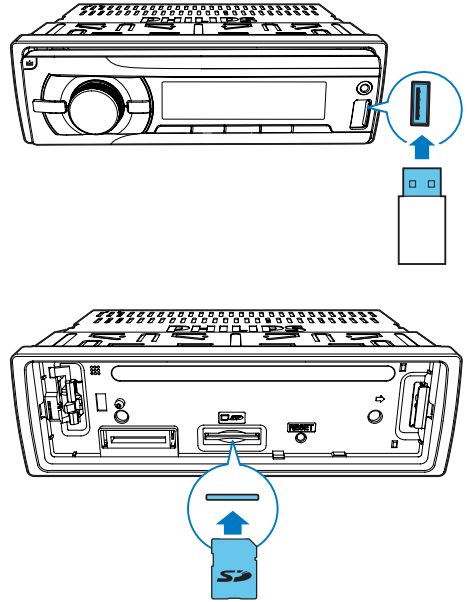
- The accuracy of time depends on the RDS station that transmits time signals.


6 Play from a storage device


This system can play .mp3 files that are copied onto a compatible storage device.

Note





- Gibson Innovations does not guarantee compatibility with all storage devices.
- NTFS (New Technology File System) file system is not supported.



- 1 Connect a compatible USB storage device or SD/SDHC card.
 - For an SD/SDHC card, detach the front panel first, insert the card into the  slot, and then attach the front panel.

- 2 Press **AS/SOURCE** repeatedly to switch the source.
 - **[USB]**: For a USB storage device that is connected to the USB socket on the front panel
 - **[SD/SDHC]**: For an SD/SDHC card that is inserted into the  slot
- 3 If the play does not start, press **▶II 6**.



Control play

Button	Function
	Press repeatedly to select a folder.
▶II 6	Pause or resume play.
	Press to play the previous or next track.
	Press and hold to rewind a track or search forward fast.
	Press repeatedly to display available information about the current track.
3 REP	Press repeatedly to select a repeat mode: <ul style="list-style-type: none"> • [REP ONE]: repeat the current track, • [RPT FLD]: repeat all tracks in the current folder; or • [RPT ALL]: repeat all tracks in the storage device.
SHUF 4	Press repeatedly to select a play mode: <ul style="list-style-type: none"> • [SHU ALL]: play all tracks randomly, • [SHU FLD]: play tracks in the current folder randomly, or • [SHU OFF]: play all tracks in the storage device in sequence.



Switch tracks

During play, you can switch tracks or folders quickly.

Switch tracks directly

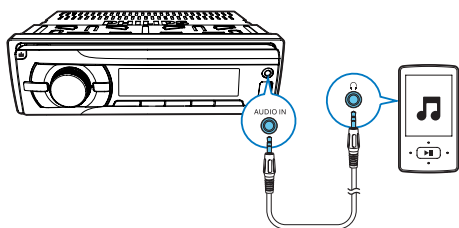
- 1 Press **1 J** to access the track list.
 - ↳ The file name of current track scrolls.
- 2 Rotate  to toggle through tracks.
- 3 Press  to play the selected track.

Switch folders for a track

- 1 Press **1 J 2** to access the folder list.
 - ↳ The name of current folder scrolls.
- 2 Rotate  to toggle through folders.
- 3 Press  to select the folder.
 - ↳ The system starts playing the first track under the folder.

7 Listen to an external player

You can use the system to amplify the audio input from an external player, for example, MP3 player:



- 1 Press **AS/SOURCE** repeatedly to switch the source to **[AUDIO IN]**.
- 2 Connect an audio input cable with a 3.5 mm connector on both ends between
 - the **AUDIO IN** socket on the front panel, and
 - the audio output socket (usually the headphone socket) on the external player.
- 3 Play audio on the external player.

8 Adjust sound

The following operations are applicable to all supported media.

Button	Function
	Rotate to increase or decrease the volume level.
	Press to mute the speakers or release them from mute status.
MAX SOUND	Press to enable or disable the MAX Sound feature.
DBB	Press to enable or disable the Dynamic Bass Boost (DBB) effect.
EQ <small>AUDIO</small>	Press repeatedly to select a sound equalizer.
EQ <small>AUDIO</small>	<ol style="list-style-type: none">1 Press and hold to activate the setup of customized sound equalizer.2 Press repeatedly to select an option: [BAS] (bass), [TRE] (treble), [BAL] (balance), or [FAD] (fader).3 Rotate to adjust the setting.

9 Additional information

Charge your USB device

You can charge your USB device, for example, smart phone, with this product.

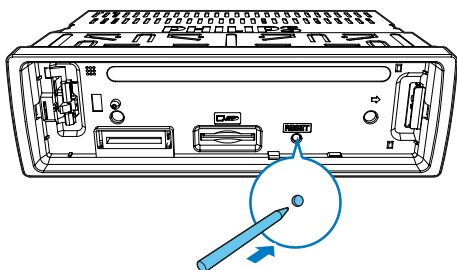
Note

- The output voltage through the USB socket is 5 V with output current 1.0 A.

Connect your USB device to this product with USB cable. Once the USB device is connected and recognized, it begins to charge automatically.

Reset the system

If the system works abnormally, reset the system to factory default settings.

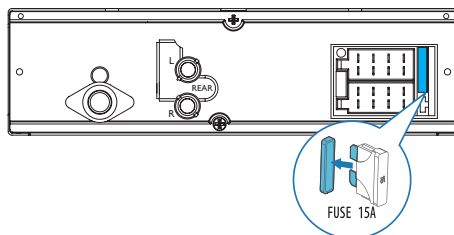


- 1 Detach the front panel.
- 2 Press the **RESET** button with the tip of a ball-point pen or toothpick.
 - ↳ All settings are reset to factory default.

Replace the fuse

If there is no power, check the fuse and replace it if it is damaged.

- 1 Check the electric connection.
- 2 Remove the damaged fuse from the rear panel.
- 3 Insert a new fuse with the same specifications (15 A).



Note

- If the fuse gets damaged immediately after it is replaced, an internal malfunction may occur. In such case, consult your local retailer.

10 Product information

Note

- Specifications are subject to change without prior notice.

General

Power supply	12 V DC (11 V - 16 V), negative ground
Fuse	15 A
Suitable speaker impedance	4 - 8 Ω
Maximum power output	50 W \times 4
Continuous power output	22 W \times 4 RMS (4 Ω 10% T.H.D.)
Pre-Amp output voltage	2.5 V
Aux-in level	\geq 500 mV
Dimensions (W \times H \times D)	188 \times 58 \times 110 mm
Weight	0,63 kg

Radio

Frequency range - FM	87,5 - 108,0 MHz (100 kHz per step in auto search and 50 kHz per step in manual search)
Usable sensitivity - FM (S/N = 20 dB)	8 μ V
Frequency range - AM(MW)	522 - 1,620 KHz (9 KHz) 530 - 1710 KHz (10 KHz)
Usable sensitivity - AM(MW) (S/N = 20 dB)	30 μ V

11 Troubleshooting



Warning

- Never remove the casing of this product.

To keep the warranty valid, never try to repair the product yourself.

If you encounter problems when using this device, check the following points before requesting service. If the problem remains unsolved, go to the Philips Web page (www.philips.com/support). When you contact the Consumer Care, make sure that the product is nearby and the model number and serial number are available.

No power or no sound.

- The power supply from car battery is cut off, or the car battery runs out of energy. Power the system with car battery.
- Car engine is not on. Turn the car engine on.
- Cable is not correctly connected. Check connections.
- The fuse is burnt. Replace the fuse.
- Volume is too low. Adjust volume.
- If the above solutions cannot help, press the **RESET** button.
- Make sure that the current track is in a compatible format.

Noise in broadcasts.

- Signals are too weak. Select other stations with stronger signals.
- Check the connection of the car antenna.
- Change the broadcast setting from stereo to mono.

Preset stations lost.

- Battery cable is not correctly connected. Connect the battery cable to the terminal that is always live.

Display shows ERR-12.

- Data error: Check the USB storage device or SD/SDHC card.

12 Notice

Any changes or modifications made to this device that are not expressly approved by Gibson Innovations may void the user's authority to operate the equipment.

Care of the environment

Disposal of your old product



Your product is designed and manufactured with high quality materials and components, which can be recycled and reused.



This symbol on a product means that the product is covered by European Directive 2012/19/EU. Inform yourself about the local separate collection system for electrical and electronic products. Follow local rules and never dispose of the product with normal household waste. Correct disposal of old products helps prevent negative consequences for the environment and human health.

Environmental information

All unnecessary packaging has been omitted. We have tried to make the packaging easy to separate into three materials: cardboard (box), polystyrene foam (buffer) and polyethylene (bags, protective foam sheet.)

Your system consists of materials which can be recycled and reused if disassembled by a specialized company. Please observe the local regulations regarding the disposal of packaging materials, exhausted batteries and old equipment.

Copyright

2015 © Gibson Innovations Limited. All rights reserved.

Philips and the Philips' Shield Emblem are registered trademarks of Koninklijke Philips N.V. and are used by Gibson Innovations Limited under license from Koninklijke Philips N.V.' Specifications are subject to change without notice. Gibson reserves the right to change products at any time without being obliged to adjust earlier supplies accordingly.

Other trademarks and trade names are those of their respective owners.



2015 © Gibson Innovations Limited. All rights reserved.

Philips and the Philips' Shield Emblem are registered trademarks of Koninklijke Philips N.V. and are used by Gibson Innovations Limited under license from Koninklijke Philips N.V.

CE233_12_UM_Online_V1.0

