

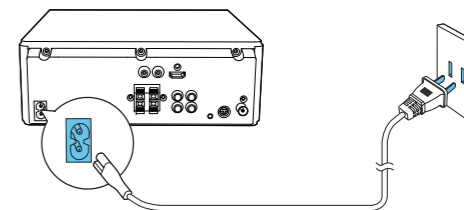
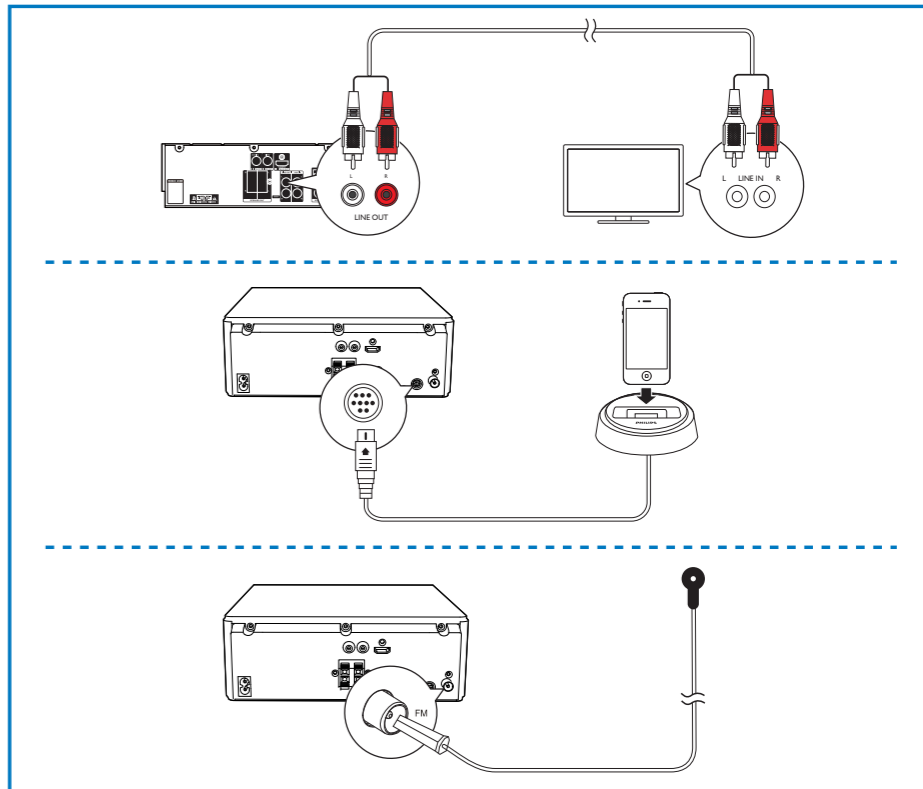
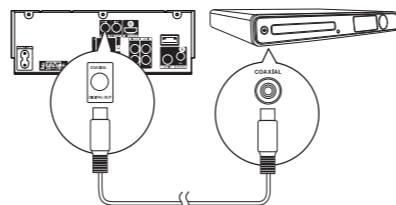
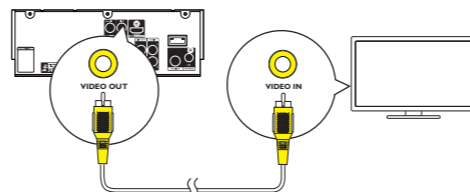
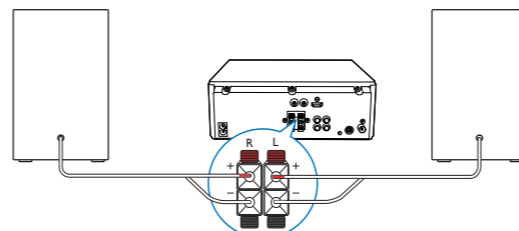
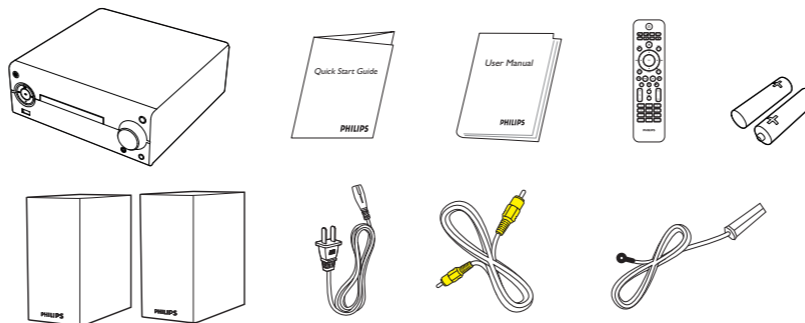
Register your product and get support at  
[www.philips.com/welcome](http://www.philips.com/welcome)

MCD780



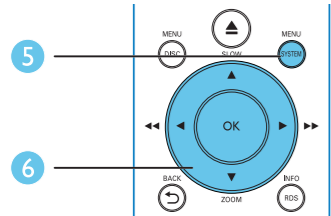
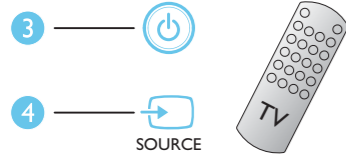
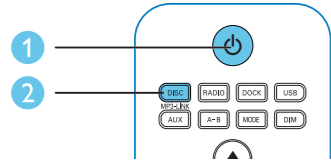
# Quick start guide

**PHILIPS**

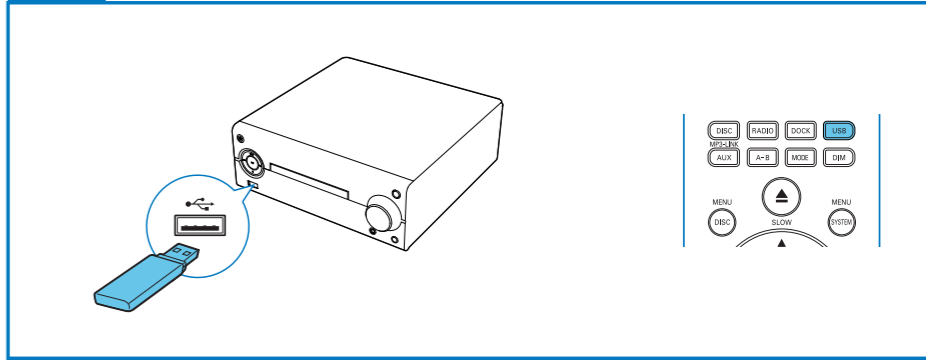
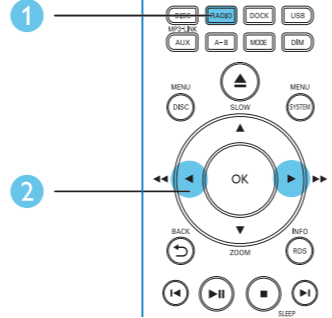




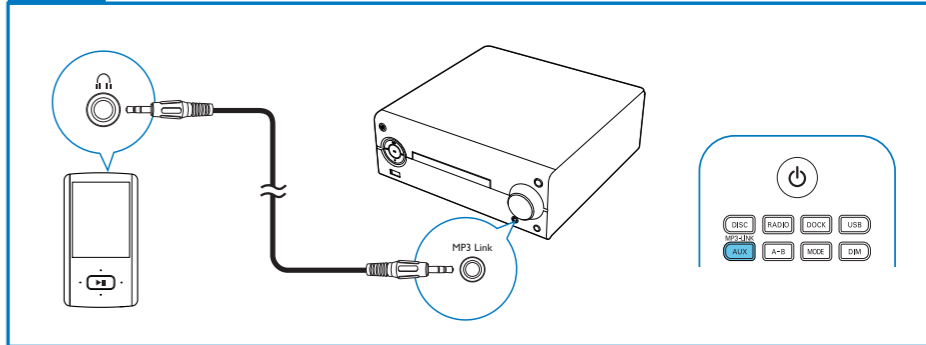
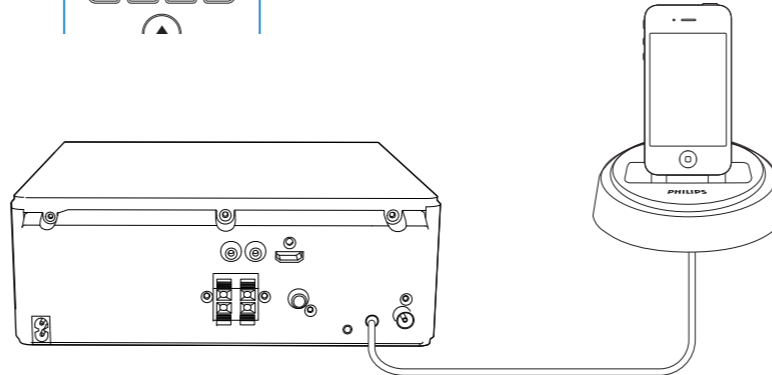
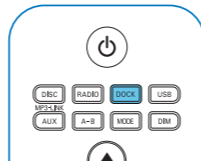
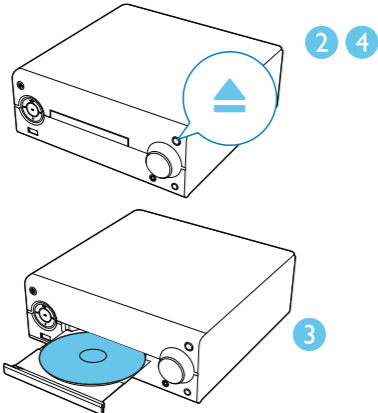
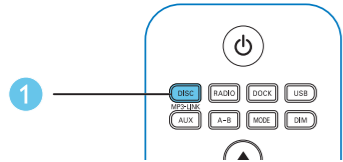
1



General Setup	
Disc Lock	
Display Dim	
OSD Language	
Screen Saver	
Sleep Timer	
DivX® VOD Code	
Please press SYSTEM MENU to exit this menu	



2



© 2012 Koninklijke Philips Electronics N.V.  
All rights reserved.

MCD780\_93\_QSG\_V1.1

