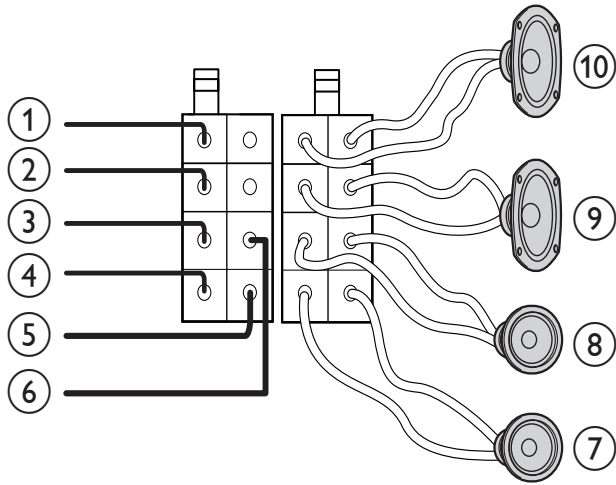


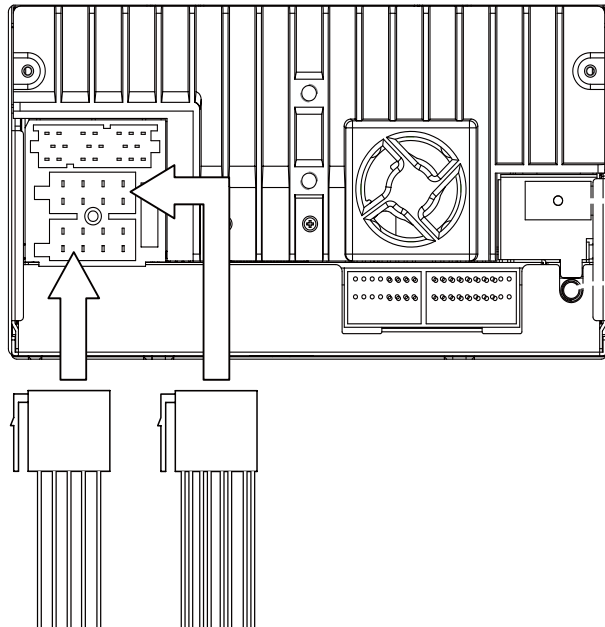


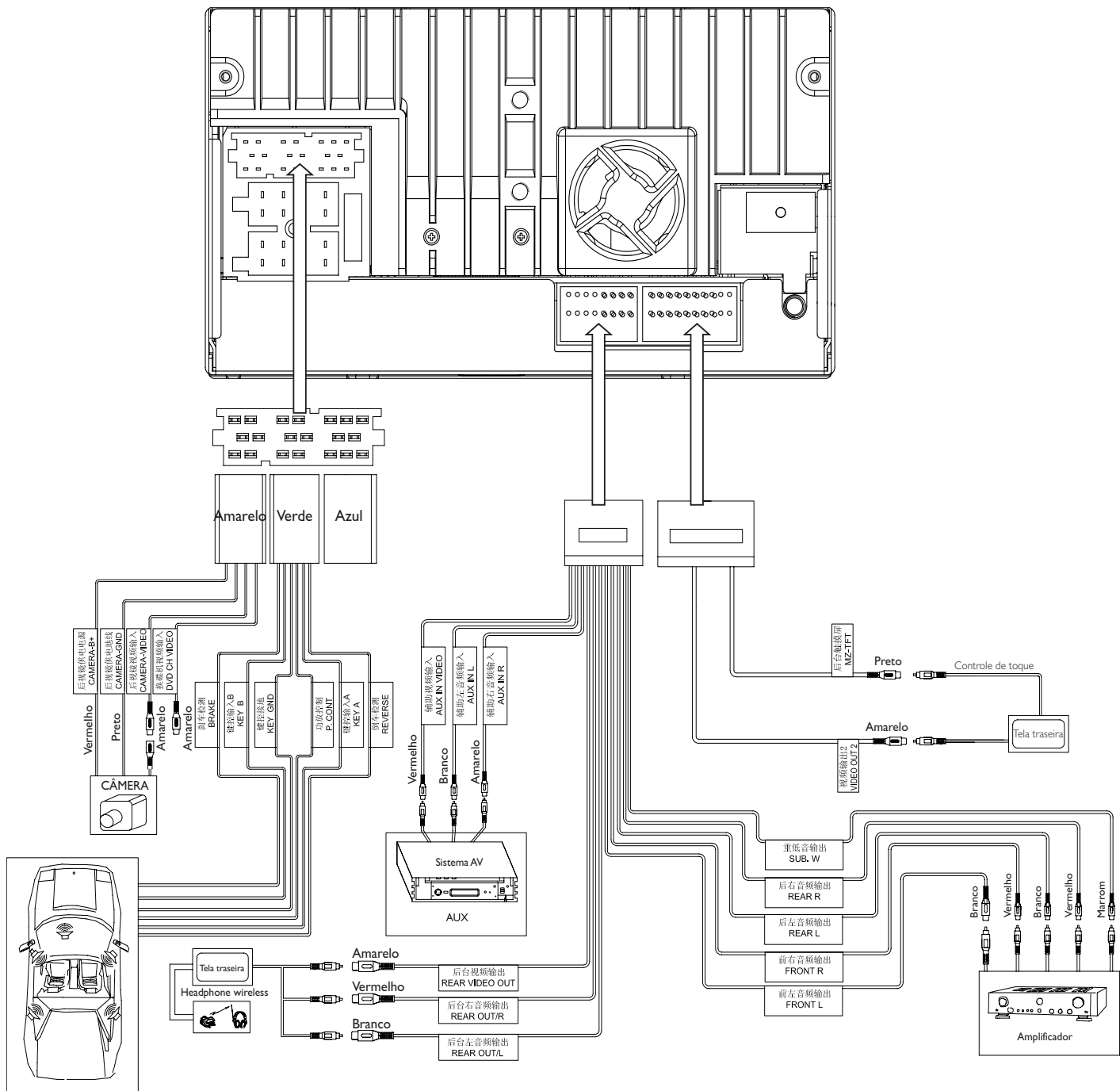
1

a



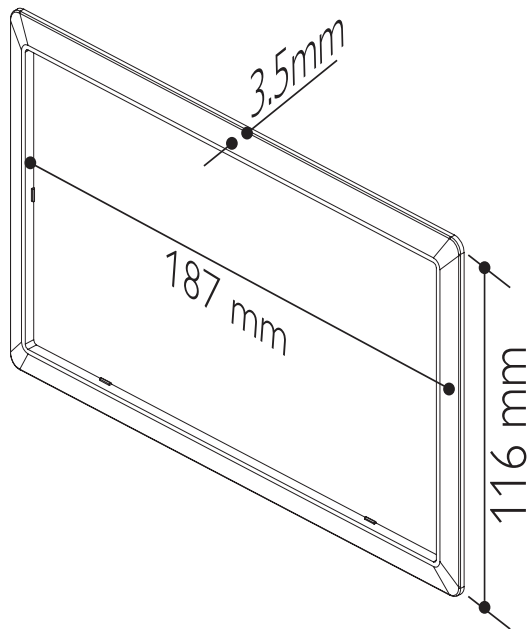
b



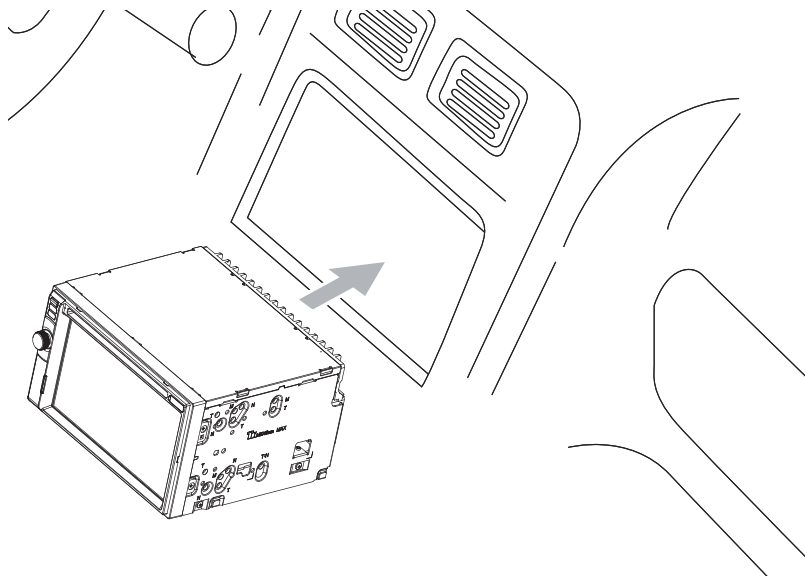


2

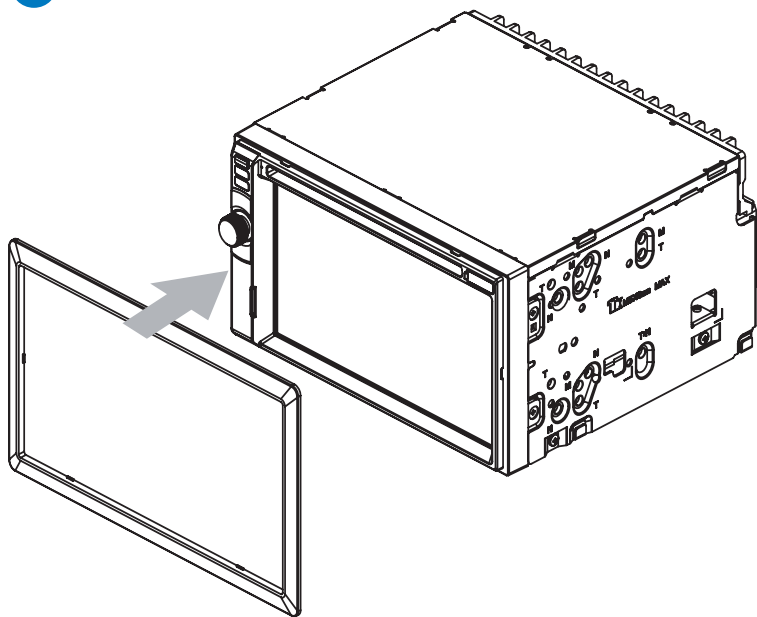
a



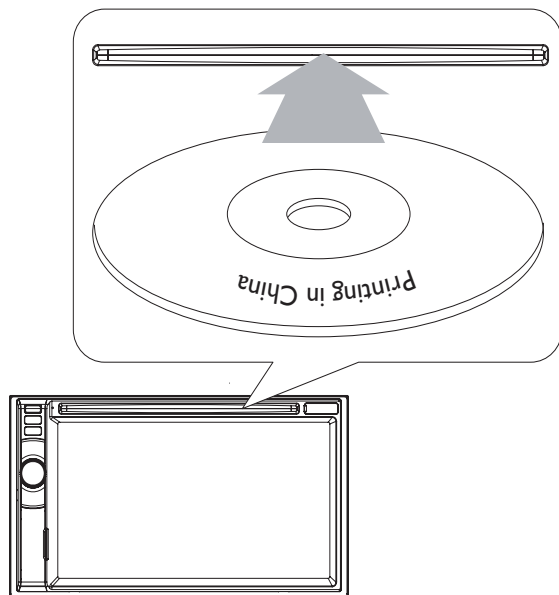
b



C

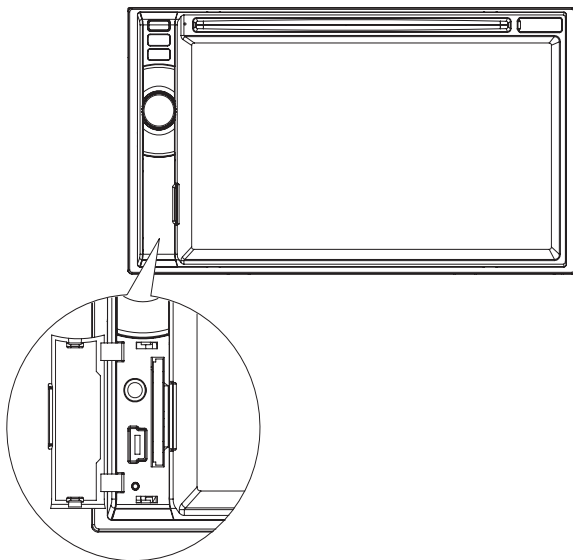


3

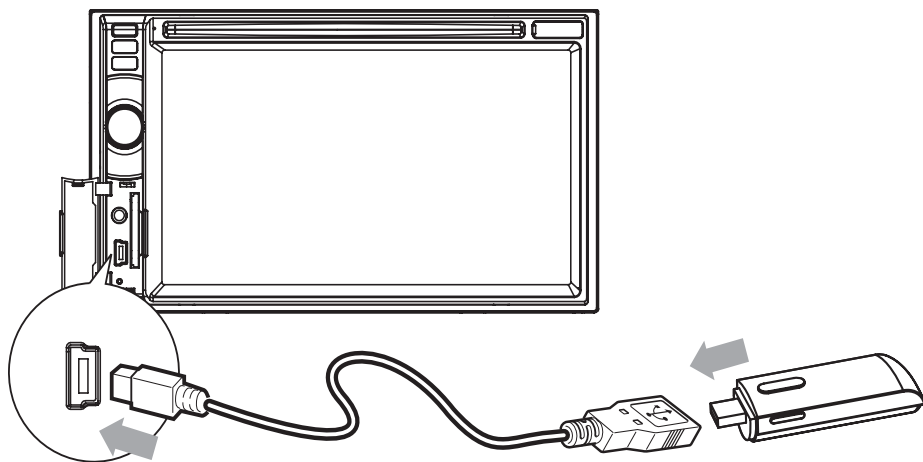


4

a



b



Install the car audio

These instructions are for a typical installation. However, if your car has different requirements, make the corresponding adjustment. If you have any questions regarding installation kits, consult your Philips car audio dealer.

! Caution

- This unit is designed for negative ground (earth) 12 V DC operation only.
- Always install this unit in the car dashboard. Other locations can be dangerous as the rear of the unit heats up during use.
- To avoid short-circuit: before you connect, ensure that the ignition is off.
- Ensure that you connect the yellow and red power supply leads after all other leads are connected.
- Ensure that all loose leads are insulated with electrical tape.
- Ensure that the leads do not get caught under screws or parts that will move (e.g. seat rail).
- Ensure that all ground (earth) leads are run to a common ground (earth) point.
- Use only the supplied mounting hardware for a safe and secure installation.
- Improper fuses can cause damage or fire. When you need to change the fuse, consult a professional.

Connect wires 1

! Caution

- Ensure that all loose leads are insulated with electrical tape.

1 Check the car's wiring carefully, then connect them to the two supplied ISO wires. **a**

Connector	Connect to
1 Brown wire	Telephone mute
2 Red wire	The +12V power terminal which is live in the accessory (ACC) position of the ignition switch If there is no accessory position, connect to the +12V car battery terminal that is always live. Be sure to connect the black ground (earth) lead to a metal surface of the car first.
3 Orange wire	Illumination switch
4 Black wire	A metal surface of the car First connect the black ground (earth) lead, then connect the yellow and red power supply leads.
5 Yellow wire	The +12V car battery which is live at all times.
6 Blue wire	The electric antenna control lead or power supply lead of the antenna booster If there is no electric antenna or antenna booster, or it is manually operated telescopic antenna, it is not necessary to connect this lead.
7 Green and green/black wires	Left speaker (Rear)
8 White and white/black wires	Left speaker (Front)
9 Gray and gray/black wires	Right speaker (Front)
10 Purple and purple/black wires	Right speaker (Rear)

2 Connect the other end of the two ISO connectors to the car audio system. **b**

3 If necessary, do the other connections: **c**

Mount in the dashboard 2

Note

- Check wire connection before you mount the unit into a car.
- If preset radio stations are lost when the ignition key is turned OFF and then back ON, reconnect the red leads crosswise to the yellow ones.

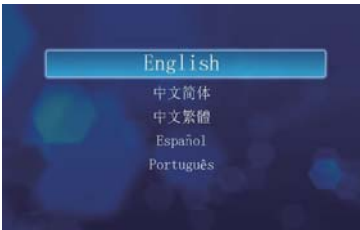
- 1 If the car does not have an on-board drive or navigation computer, disconnect the negative terminal of the car battery.
- 2 Ensure that car dashboard opening is within these measurements: **a**
- 3 Slide the unit into the dashboard until a click sound is heard. **b**
- 4 Attach the trim plate. **c**
- 5 Reconnect the negative terminal of the car battery.

Turn on

Caution

- Risk of road accidents! Never watch video or adjust settings while you drive.

- 1 Press **⏻** to turn on the unit.
↳ The available OSD (On-Screen Display) languages are displayed.



- 2 Touch a language to select.
↳ The OSD language is changed to the selected language immediately.

- To adjust screen brightness/contrast, press **⊗/⊙** on the remote control, then press **◀, ▶, ▲** or **▼**.
- To turn off the unit, press **⊙** for 3 seconds

Set date and time

- 1 Touch the upper left corner to display main menu.



- 2 Touch **⏻** in the middle right side of the screen.
↳ The second main menu is displayed.

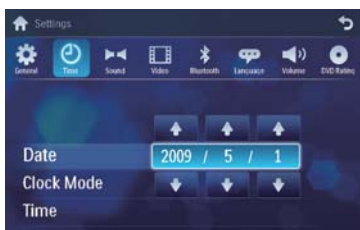


- 3 Touch **[Settings]**.
- 4 Touch **[Time]**.
↳ The date/time setup menu is displayed.



Set date

- 1 Touch **[Date]**.
- 2 Touch on the displayed date information.
↳ A submenu is displayed.



3 Touch **▲** or **▼** to set year, month and day.

Set clock mode

1 Touch **[Clock mode]**.



2 Touch on **[12Hr]** or **[24Hr]** to select clock mode.

Set time

1 Touch **[Time]**.

2 Touch on the displayed time.

↳ A submenu is displayed.



3 Touch **▲** or **▼** to set hour and minute.



Tip

- When date/time is set, touch **↶** first and then touch **▶** to return to main menu.

Use map



Note

- You may need to upgrade the map (sold separately) before using it (see "Upgrade the map" section)

- 1 Touch the upper left corner to display home menu.
- 2 Touch **[Navigation]**.
 - ↳ The navigation menu is displayed in a few seconds.
- 3 Refer to the map manual to operate the navigation tool.



Tip

- You can press **NAVI** to enter/exit the navigation system.

Listen to Radio

- 1 Touch the upper left corner to display home menu.
- 2 Touch **[Radio]**.
 - ↳ Band and frequency information is displayed.



- 3 Touch on **FM** or **AM** to select band:
 - FM band options: **FM1, FM2, FM3**
 - AM band options: **AM1, AM2**
- 4 Briefly touch **◀** or **▶** to tune to a radio station by step.
 - Touch **◀** or **▶** for over 1 seconds to tune to a radio station automatically.

Play disc 3

You can play video, audio or images stored on the following discs:

- DVD video, DVD-R, DVD-RW
- VCD
- Audio CD, CD-R, CD-RW

Note

- Ensure that the disc contains playable content.

- 1 Insert the disc into the disc slot with label side facing up.
 - ↳ Play starts automatically.
 - ↳ To remove the disc, press the ▲ button.
 - ↳ When the disc is ejected, the unit switches to the previous source, if connected. Otherwise, the unit switches to **[Radio]** mode automatically.

Note

- Depends on where you brought the unit, you can play DVD discs with one of the following region codes:

Countries where you brought the unit	Supported DVD region code
China	
Asia Pacific, Taiwan, Korea	
Latin America	
Russia, India	

Play USB device 4

Note

- Ensure that the device contains playable content.

- 1 Open the USB door. **a**
- 2 Insert the small end of the supplied USB cable to the USB socket, then connect the other end of the USB cable to your USB device.
 - ↳ Play starts automatically. **b**

Play with Bluetooth device

Pair the Bluetooth-enabled devices

To connect your Bluetooth device to the unit, you need to pair the device to the unit. Pairing needs only to be done once.

You can pair up to eight devices.

- 1 Turn on the Bluetooth function on the device.
- 2 Search for Bluetooth device with the device.
- 3 Select "CID2680" in the pairing list.
- 4 Enter default password "0000".
 - ↳ if pairing succeeds, phone call record is displayed.



Make a call

- 1 Pair the phone with the unit.
- 2 Touch the upper left corner to display the home menu.

3 Touch [Bluetooth].



↳ The Bluetooth menu is displayed.



4 Touch ▲ or ▼ to select the paired phone, then touch .

5 Touch ▲ or ▼ to search for phone number from the following list:



Or touch  to dial number directly, then touch  to dial.

Receive call

By default, all incoming calls are received automatically.

1 If there is incoming call, [Incoming call...] flashes on the screen. Speak into the Bluetooth microphone.



2 When conversation ends, touch (red) to terminate the call.

Tip

- You can select to receive calls manually by set [Auto answer] to [Off] status.

