



PHILIPS

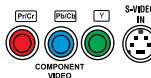
Use this simple and quick way to watch your favourite DVD movie and enjoy your Home Cinema experience!

Quick Use Guide

FWD182/79

Helpful Hints

You only need to make one video connection to your TV in order to view the DVD playback.



If your TV has S-Video or Component (Pr Pb Y) video jacks, use one of these video connections instead for higher picture quality.



If your TV has only a single Antenna In jack, you will need an accessory RF modulator. The RF modulator converts the video from the DVD system so it can play through the TV's Antenna connector. Refer to your owner's manual for proper connection.

When listening to TV programs, press **AUX** button on the remote to set the DVD system to AUX mode in order for the sound to be heard.

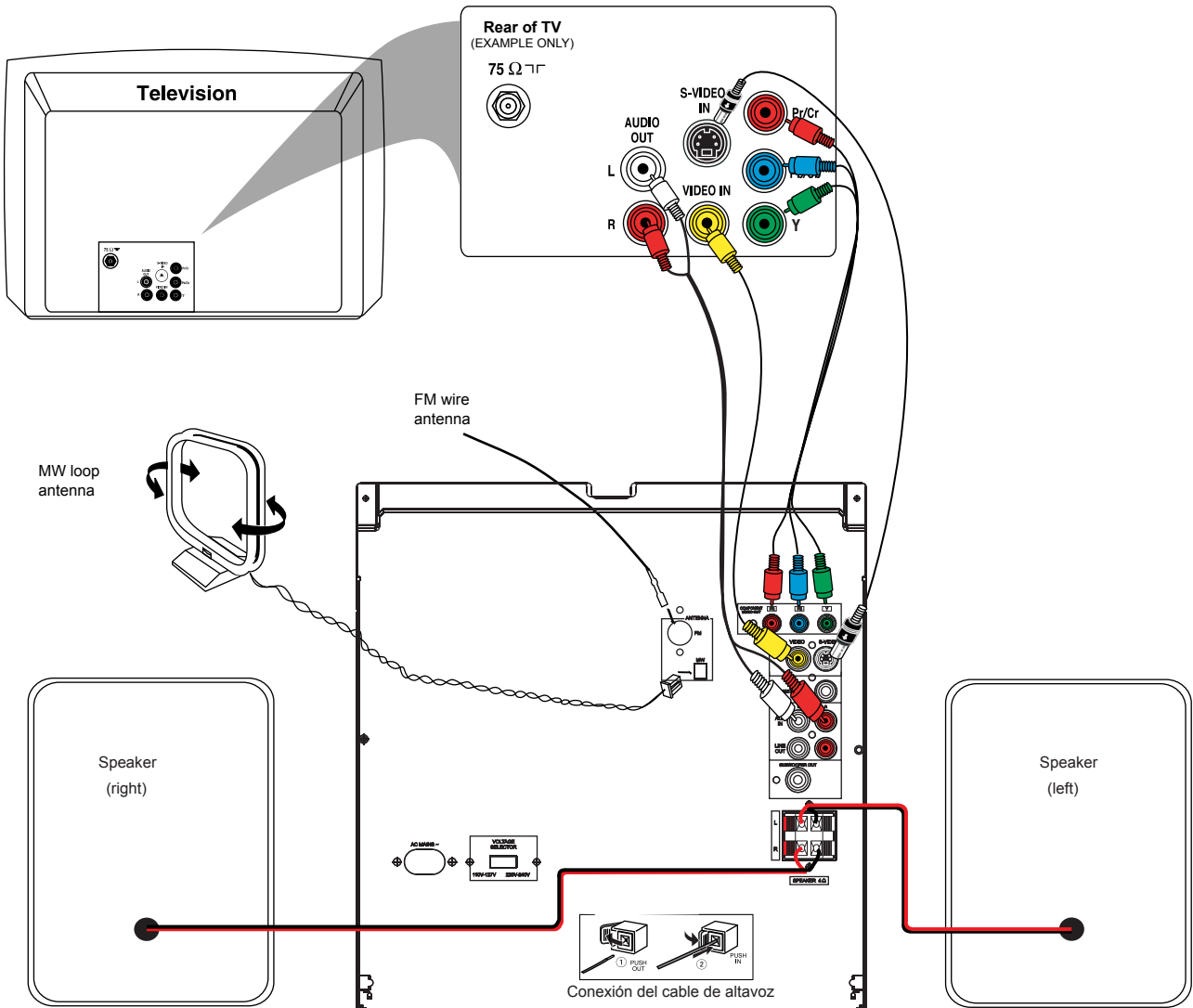
DEMO MODE

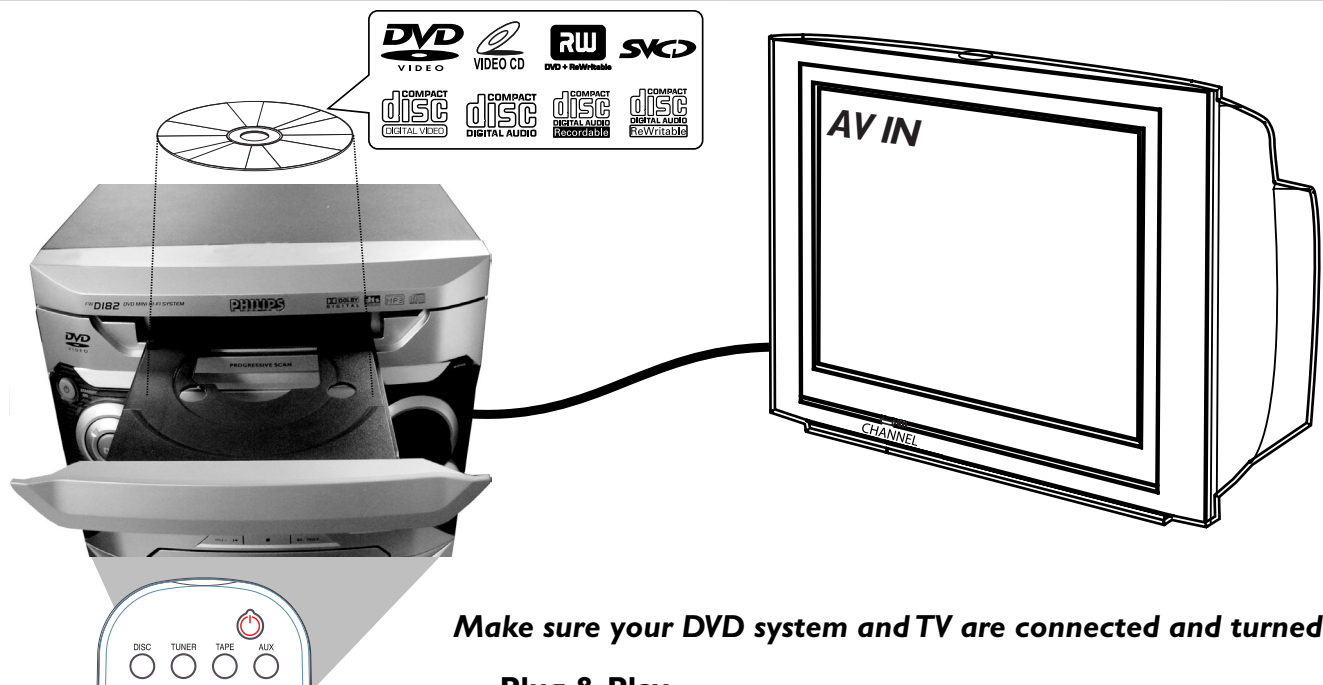
To turn ON

Press & HOLD  button for 5 seconds

To turn OFF

Press & HOLD  button for 5 seconds





Make sure your DVD system and TV are connected and turned on!

Plug & Play

- 1 Turn on the system.
"AUTO INSTALL -- PRESS PLAY" will be displayed.
- 2 Press **PLAY/PAUSE** ►|| on the system to start installation.

Playing a disc

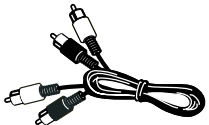
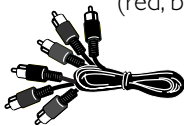
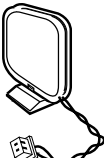



- 3 Press **DISC** on the remote control.
- 4 Turn on the TV and select the correct **Video In** mode.
You should see the blue Philips DVD background screen on the TV (If no disc in the DVD system).
- 5 Press **OPEN•CLOSE** ▲ on the front of the DVD system and load a disc, then press the corresponding **OPEN•CLOSE** ▲ again to close the disc tray.
Make sure the disc label is facing up. For double-sided discs, load the side you want to play face down.
- 6 **Playback will start automatically.**
If a disc menu appears, use ◀▶/▲/▼ buttons on the remote to make the necessary selection, then press OK to confirm. Or, use the numeric keypad on the remote to select features. Follow the instructions given in the disc menu.
- 7 To stop playback, press **STOP** ■.

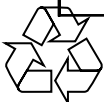
Region Codes

DVDs must be labeled for ALL regions or Region 4, in order to play on this DVD system.



You should find the below accessories in the packaging box.

 <p>Audio cables (white, red)</p>	 <p>Component video cables (red, blue, green)</p>	 <p>MW loop antenna</p>
 <p>Composite video cable (yellow)</p>	 <p>AC power cable</p>	 <p>FM wire antenna</p>



Detailed playback features and additional functions are described in the accompanying owner's manual