

Always there to help you

Register your product and get support at
www.philips.com/welcome

HTB3510
HTB3540
HTB3570



Quick start guide

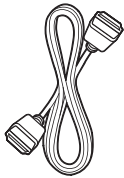
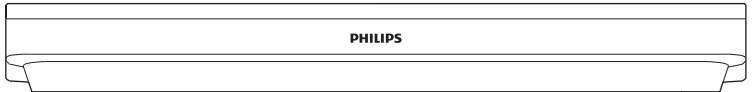
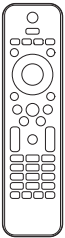
PHILIPS



EN Before using your product, read all accompanying safety information



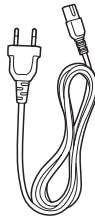
HTB3510



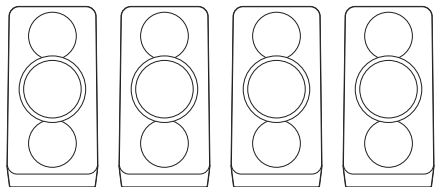
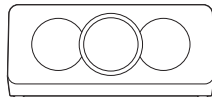
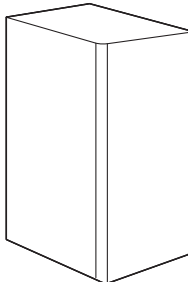
HDMI



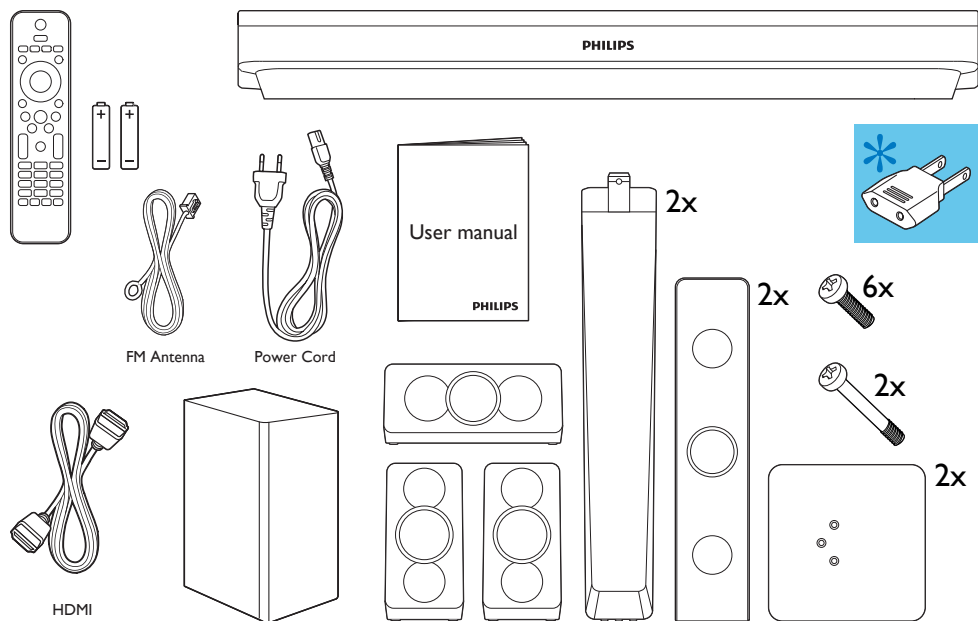
FM Antenna



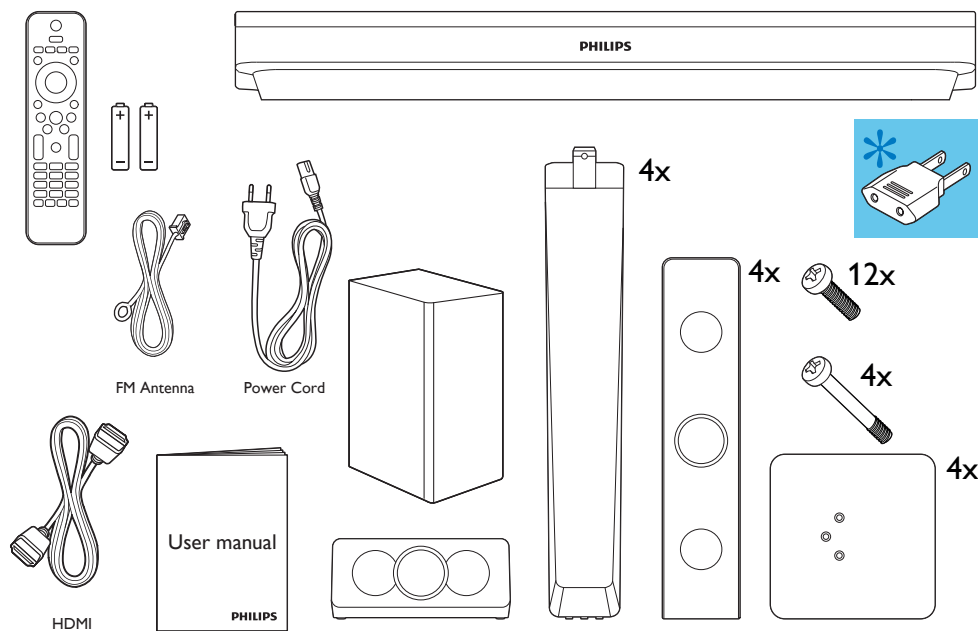
Power Cord



HTB3540

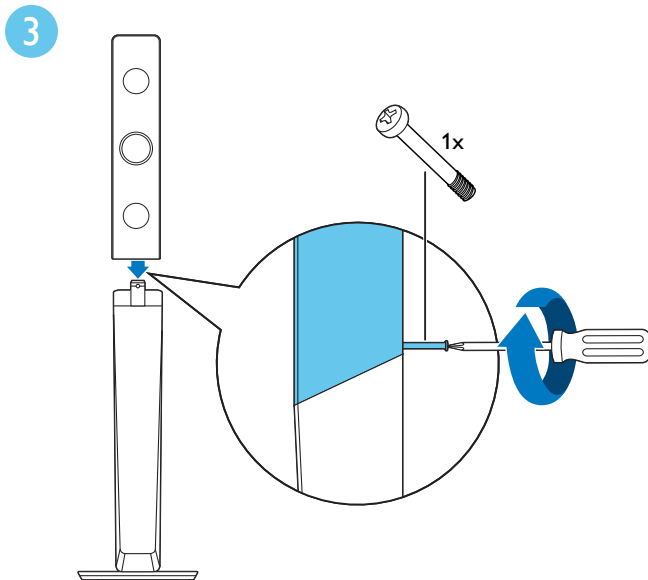
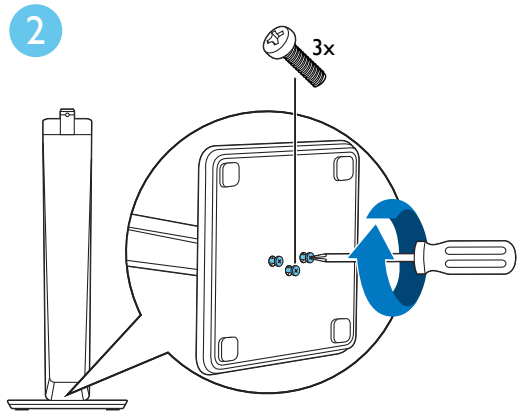
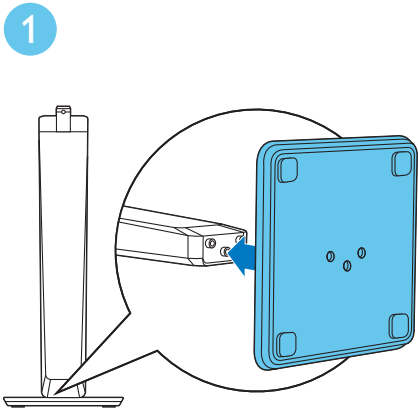


HTB3570



1

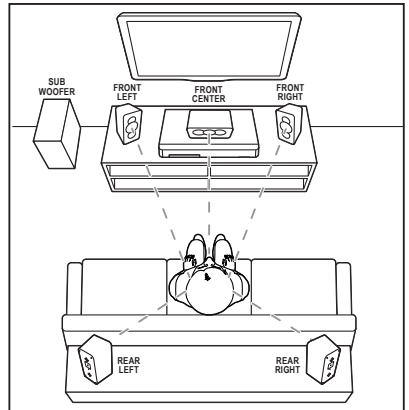
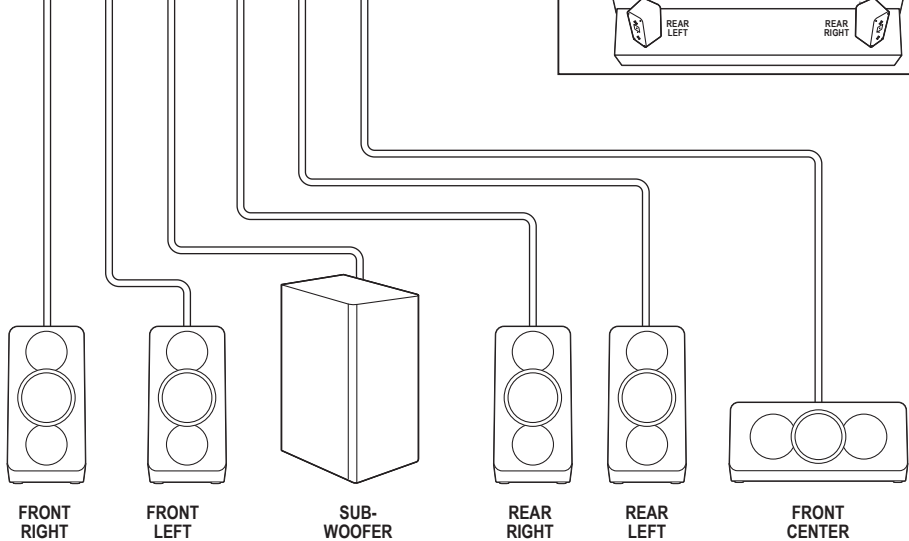
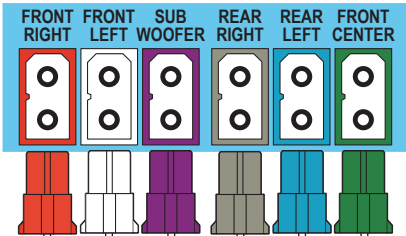
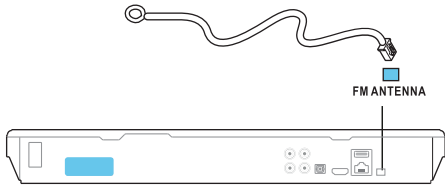
EN Stand mount the speakers
Applied to HTB3540 and HTB3570 only



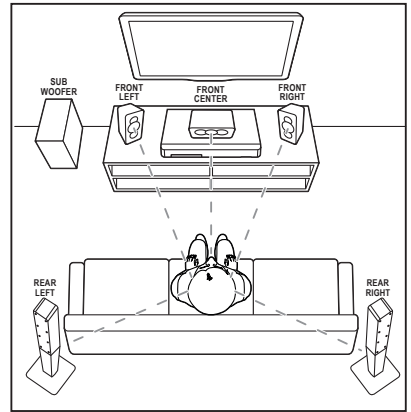
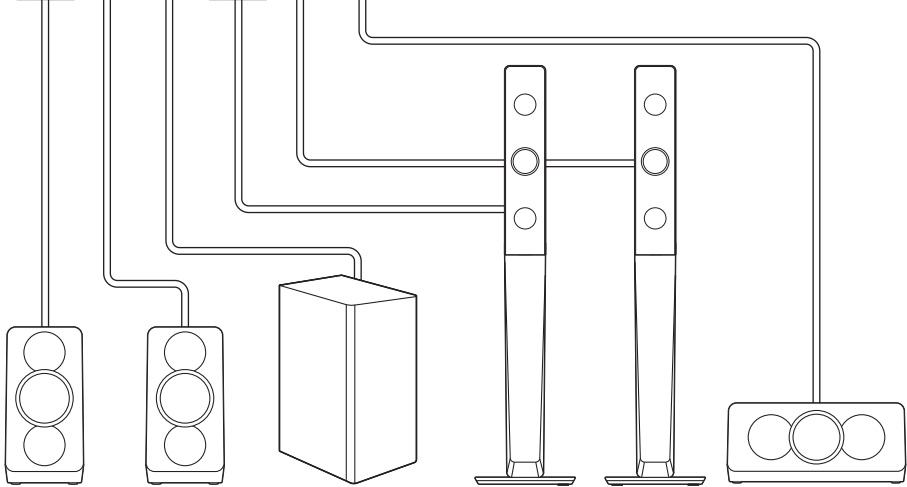
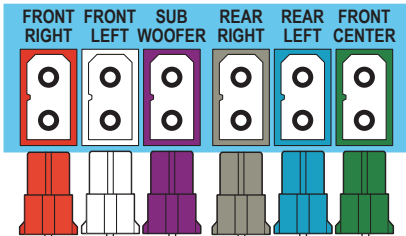
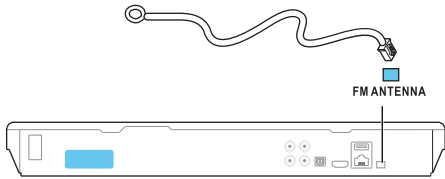
2

EN Connect the home theater

HTB3510



HTB3540



FRONT
RIGHT

FRONT
LEFT

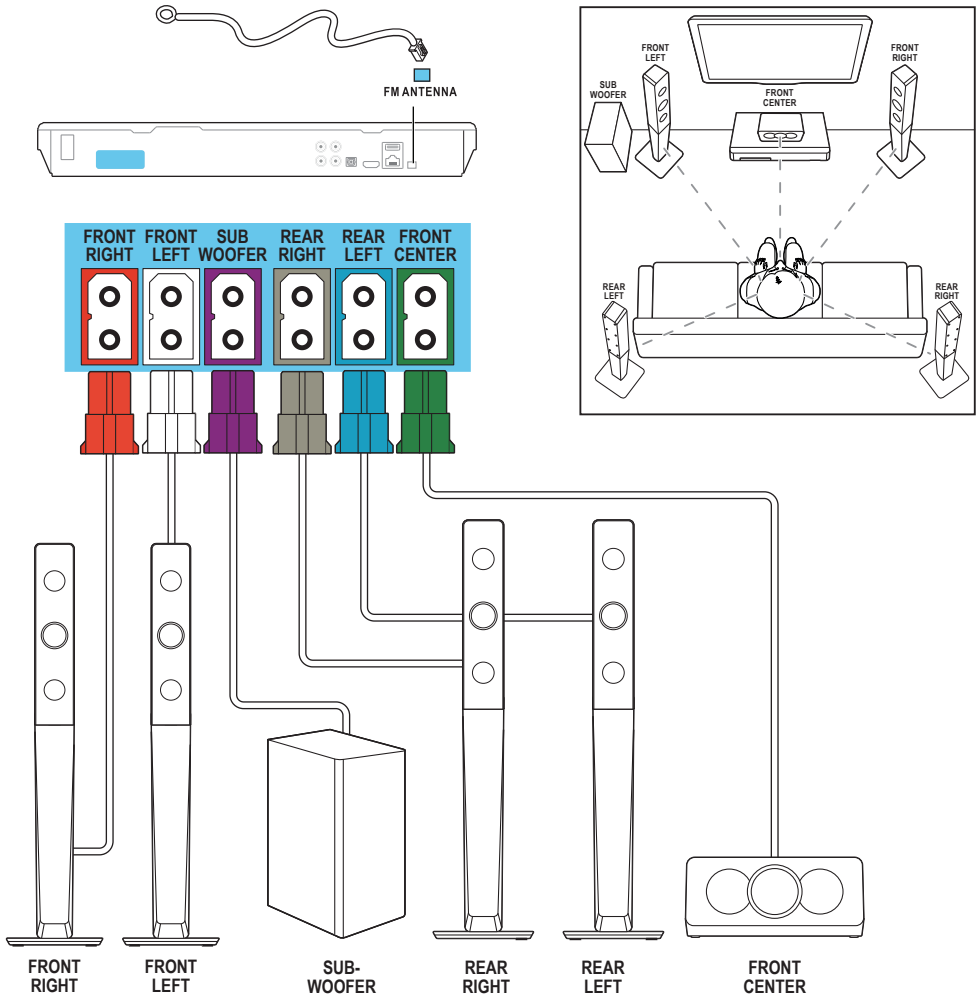
SUB-
WOOFER

REAR
RIGHT

REAR
LEFT

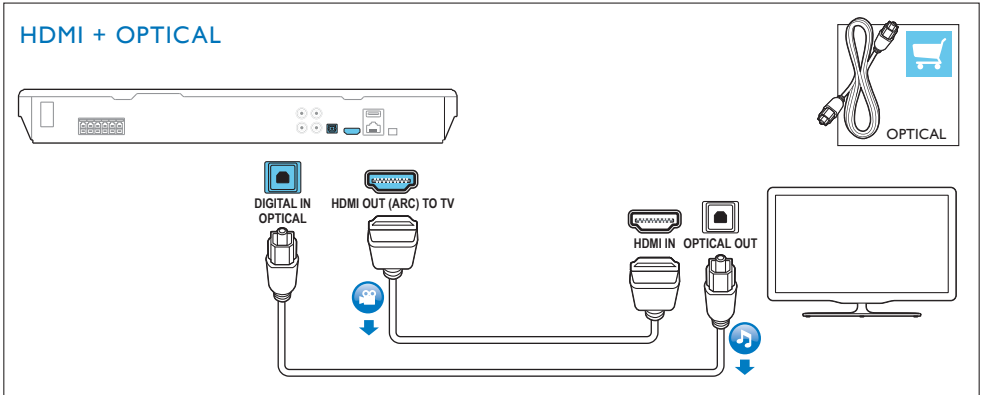
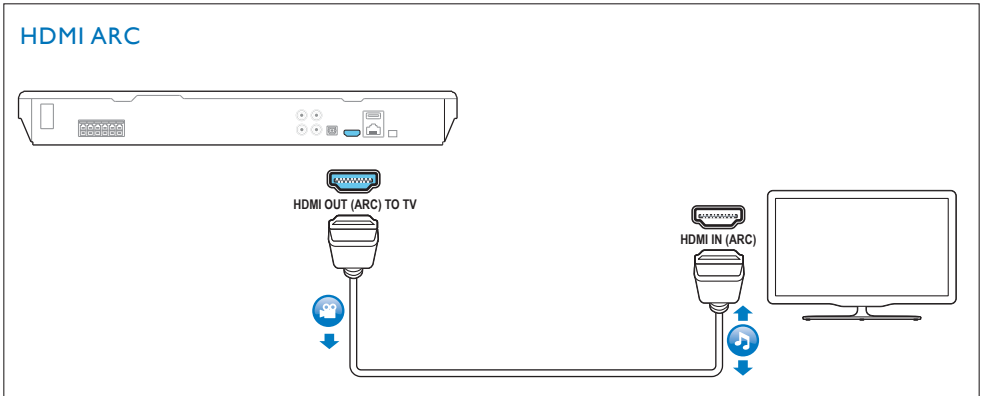
FRONT
CENTER

HTB3570

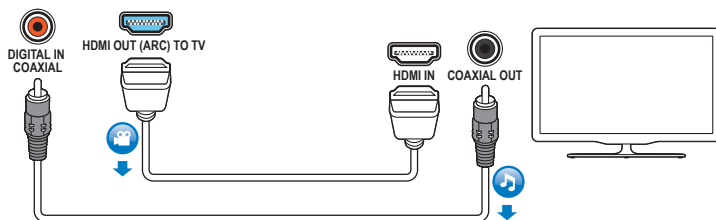


3

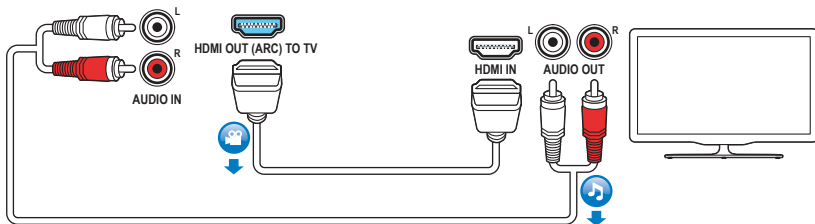
EN Connect to TV in one of these ways



HDMI + COAXIAL



HDMI + AUDIO L/R



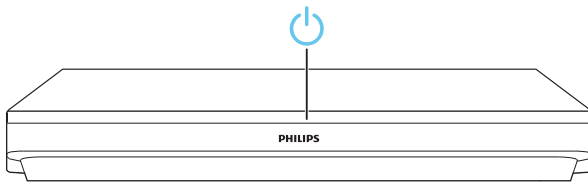
4

EN Switch on the home theater

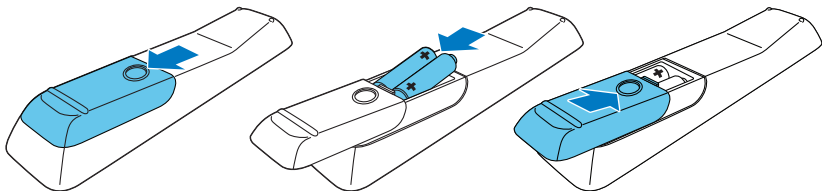
1



2

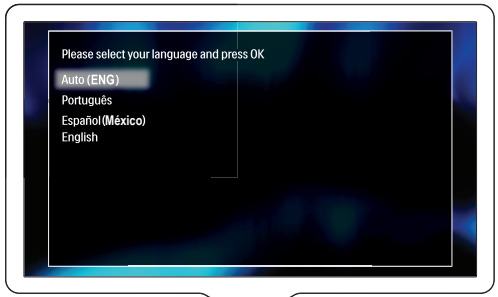
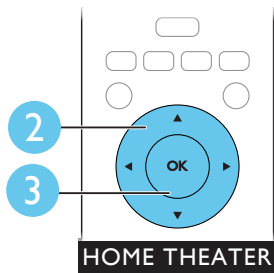
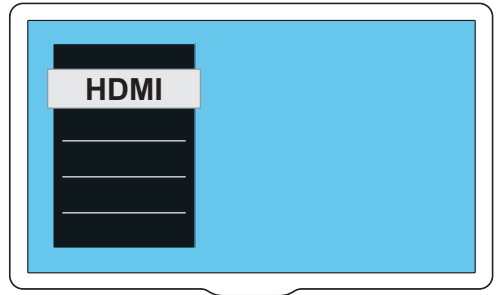
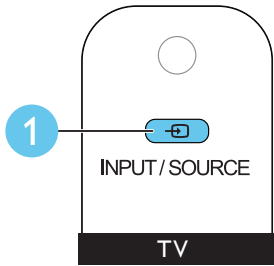


3



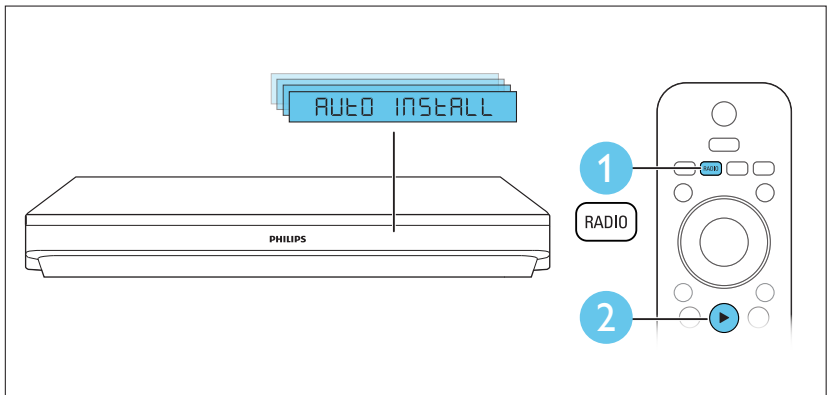
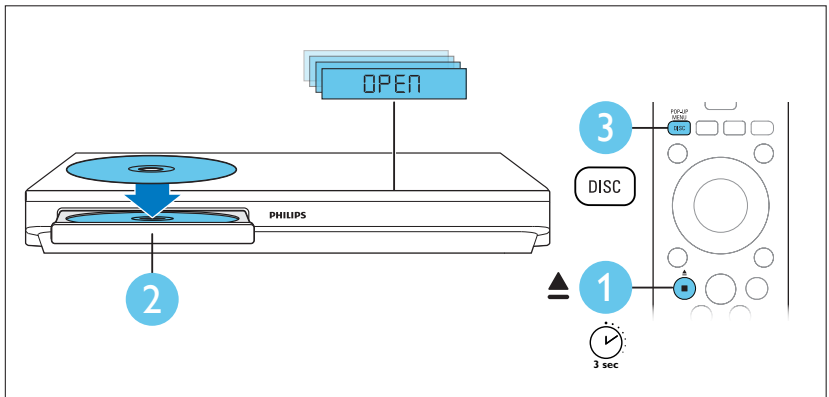
5

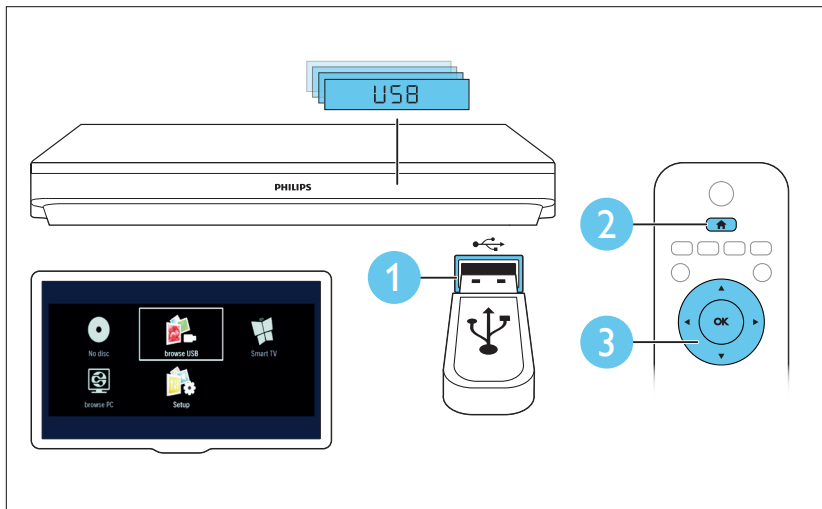
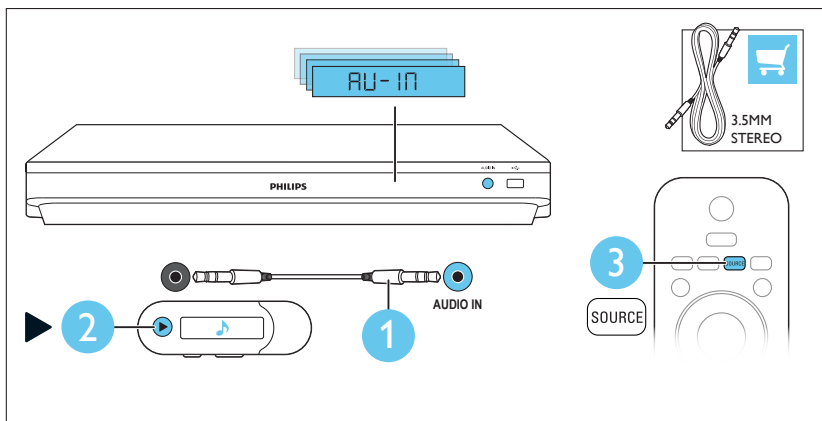
EN Complete the first time setup

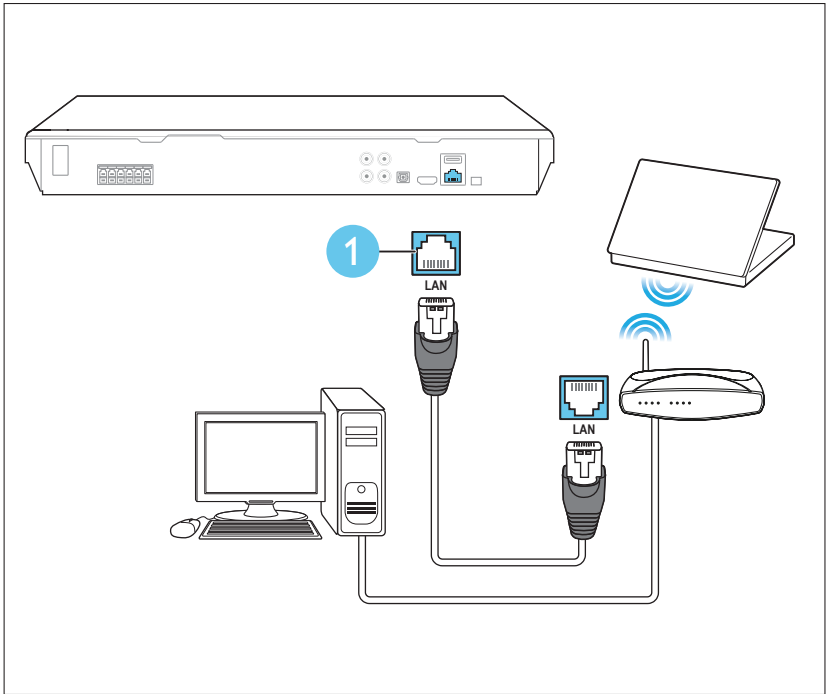


6

EN Use your home theater









Specifications are subject to change without notice
© 2013 Koninklijke Philips Electronics N.V.
All rights reserved.

HTB3510/3540/3570_78_QSG_V1.0

