

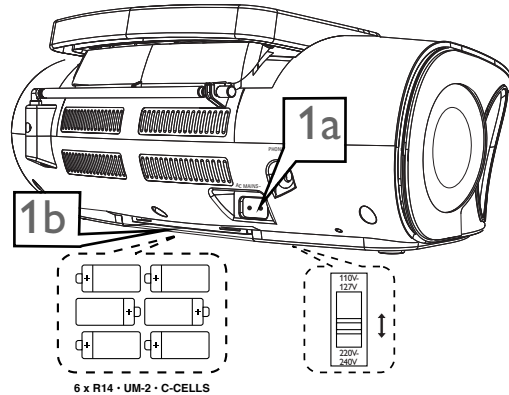


AZ1133



PHILIPS

- 1 Choosing Power Supply**
- a Connect the AC power cord to the **AC MAINS** inlet and the wall socket.
 - OR-
 - b Open the **battery door** and insert 6 x C batteries (not included).

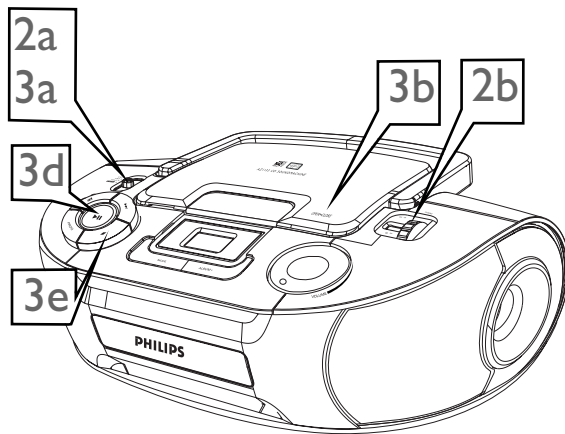


R-14, UM-2 or C-cells (not included)

Voltage selector
Adjust to match the local voltage 110/220V before plugging in the set

- 2 Listening to the Radio**
- a Push the **source selector** to **FM** or **MW** to select your waveband.
 - b Turn **TUNING** to tune to a station.

- 3 Playing a disc**
- This CD player Audio Discs including CD-Recordables and CD-Rewritables, and MP3-CD.
- a Adjust the **source selector** to **CD/MP3**.
 - b Open the disc door.
 - c Insert a disc with the printed side facing up and close the door.
 - d Press ►|| to start playback.
 - e To stop disc playback, press ■.



Source selector
Slide to select function: CD/MP3, radio (FM/MW)

►||
Press to start or pause disc playback

►►, ◀◀
Briefly press to skip to the beginning of the current/previous/ later disc track;
During disc playback, press and hold to find a particular passage backward/forward

PROG
Use to program disc tracks

■
Press to stop disc playback or erase a disc program

Telescopic antenna
Improves FM reception

Battery door

OPEN-CLOSE
Push to open the disc door

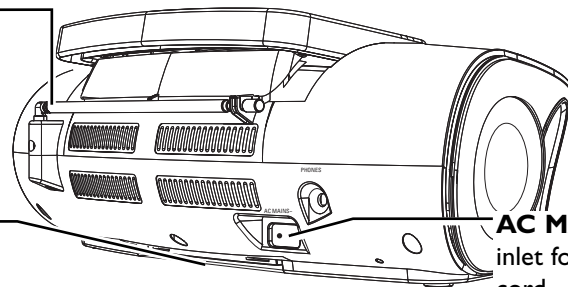
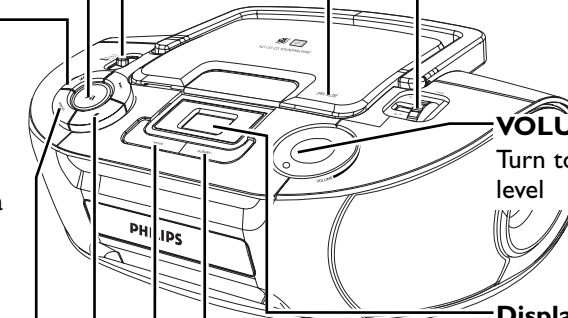
TUNING
Turn to tune to a station

VOLUME
Turn to adjust volume level

Display
Shows disc functions

ALBUM+
For **MP3-CD**: Press to select albums

MODE
Press to select different play modes, such as **REPEAT** or **SHUFFLE** (random order)



AC MAINS
inlet for the AC power cord.

