

# CD Soundmachine

Register your product and get support at [www.philips.com/welcome](http://www.philips.com/welcome)

## User Manual

用戶手冊

AZ102S  
AZ102C  
AZ102N  
AZ102G  
AZ102V  
AZ102R  
AZ102B



# PHILIPS

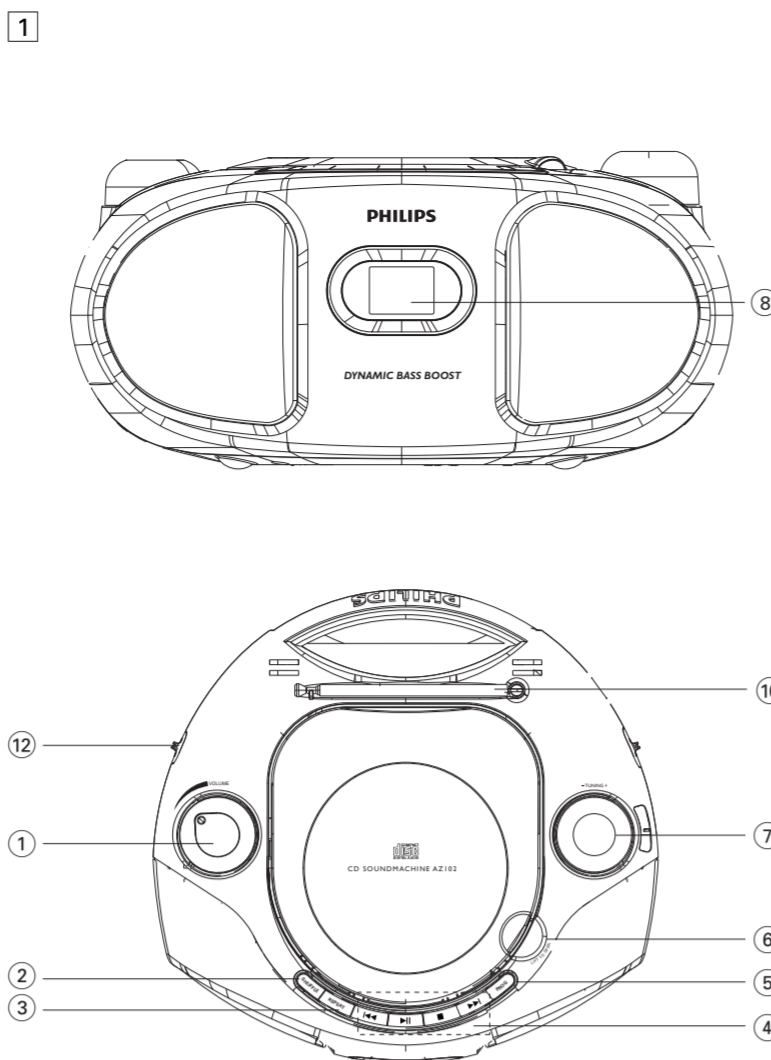
Meet Philips at the Internet  
<http://www.philips.com>



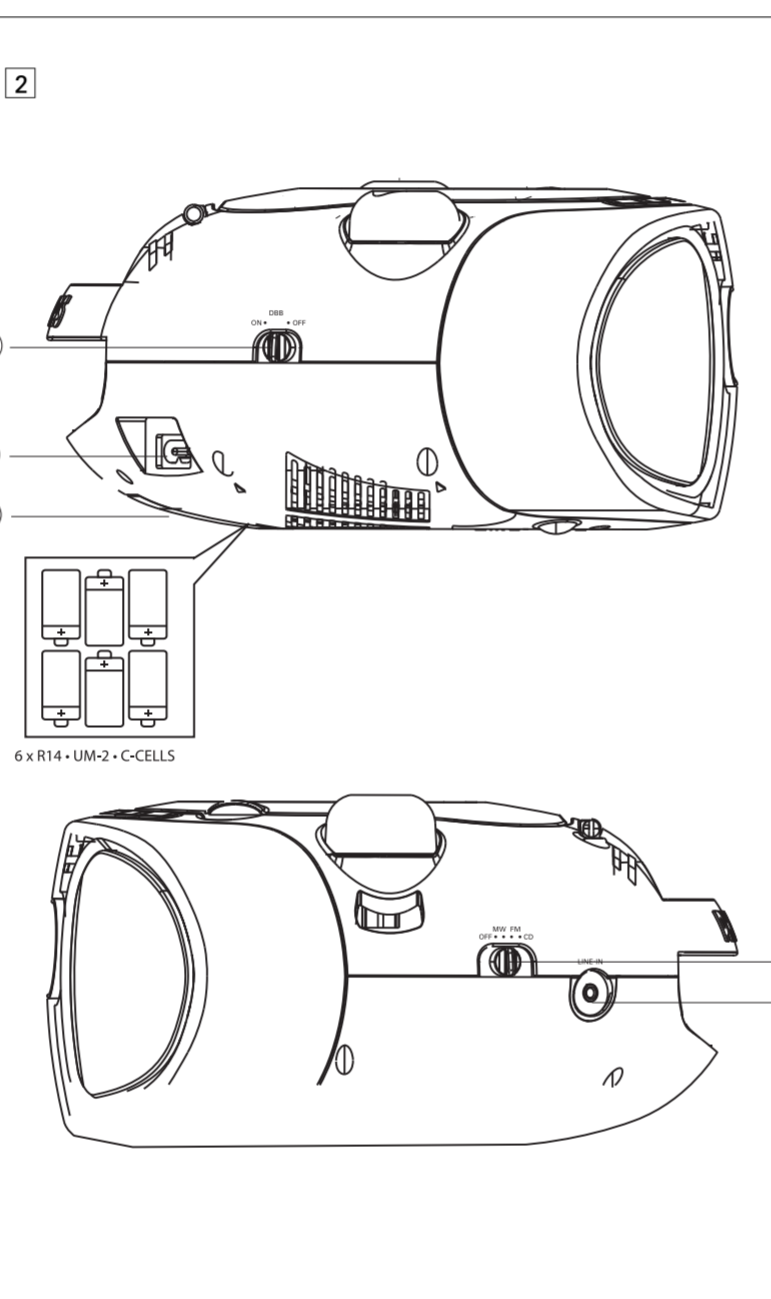
AZ102S  
AZ102C  
AZ102N  
AZ102G  
AZ102V  
AZ102R  
AZ102B

Printed in China

AZ102\_93\_UM\_V1.0



**1** **VOLUME** – adjusts volume level.  
**2** **SHUFFLE** – plays all tracks in random order.  
**3** **REPEAT** – repeats a track/ CD program/entire CD.  
**4** **▶||** – starts or pause CD playback.  
**▶◀◀** – selects the next/previous track – searches forwards/backwards (press and hold the button) within the current track.  
**■** – stops CD playback; – erases a CD program.  
**5** **PROG** – programs tracks and reviews the program.  
**6** **LIFT TO OPEN** – opens/closes the CD door.  
**7** **TUNING** – tunes to radio stations.  
**8** **Display** – shows the CD functions.



## Maintenance & Safety (See 8)

**CD player and CD handling**

- If the CD player cannot read CDs correctly, use a cleaning CD to clean the lens before taking the set to repair.
- The lens of the CD player should never be touched!
- Sudden changes in the surrounding temperature can cause condensation on the lens of your CD player. Playing a CD is then not possible. Do not attempt to clean the lens but leave the set in a warm environment until the moisture evaporates.
- Always close the CD door to avoid dust on the lens.
- To clean the CD, wipe in a straight line from the center towards the edge using a soft, lint-free cloth. Do not use cleaning agents as they may damage the disc.
- Never write on a CD or attach any stickers to it.

**Safety information**

- Place the set on a flat, hard and stable surface so that the system does not tilt.
- Where the MAINS plug or an appliance coupler is used as the disconnect device, the disconnect device shall remain readily operable.
- Do not expose the set, batteries, CDs to humidity, rain, sand or excessive heat caused by heating equipment or direct sunlight.
- The apparatus shall not be exposed to dripping or splashing.
- Adequate ventilation with a minimum gap of 15cm (6 inches) between the ventilation holes and surrounding surfaces is necessary to prevent heat build-up.
- Do not cover the ventilation openings with items such as newspapers, table-cloths, curtains, etc.
- No objects filled with liquids, such as vases, shall be placed on the apparatus.
- No naked flame sources, such as lighted candles, should be placed on the apparatus.
- The mechanical parts of the set contain self-lubricating bearings and must not be oiled or lubricated.
- To clean the set, use a dry cloth. Do not use any cleaning agents containing alcohol, ammonia, benzene or abrasives as these may harm the housing.

## English

Congratulations on your purchase and welcome to Philips!  
To fully benefit from the support that Philips offers, register your product at [www.philips.com/welcome](http://www.philips.com/welcome).

## Supplied Accessories

– AC power cord

## Top/front panels (See 1)

- 1** **VOLUME** – adjusts volume level.
- 2** **SHUFFLE** – plays all tracks in random order.
- 3** **REPEAT** – repeats a track/ CD program/entire CD.
- 4** **▶||** – starts or pause CD playback.
- ▶◀◀** – selects the next/previous track – searches forwards/backwards (press and hold the button) within the current track.
- – stops CD playback; – erases a CD program.
- 5** **PROG** – programs tracks and reviews the program.
- 6** **LIFT TO OPEN** – opens/closes the CD door.
- 7** **TUNING** – tunes to radio stations.
- 8** **Display** – shows the CD functions.

## Back panel (See 1 and 2)

- 9** **Source selector: CD, FM, MW, OFF** – selects CD or radio source of sound. – power off switch.
- 10** **Telescopic antenna** – improves FM reception.
- 11** **AC MAINS~** – inlet for power cord.
- 12** **DBB** – turns the bass enhancement on/off.
- 13** **LINE-IN** – inlet for external audio source.

## Bottom panel

- 14** **Battery door** – Press on the arrow and push to insert 6 x 1.5V R-14/ UM-2/ C-cells.

## Controls/Power Supply

**CAUTION**  
– Visible and invisible laser radiation. If the cover is open, do not look at the beam.  
– High voltage! Do not open. You run the risk of getting an electric shock. The machine does not contain any user-serviceable parts.  
– Modification of the product could result in hazardous radiation of EMC or other unsafe operation.  
– Use of controls or adjustments or performance of procedures other than herein may result in unsafe operation.

This set complies with the radio interference requirements of the European Union.

## Power Supply

Whenever convenient, use the power supply cord if you want to conserve battery life. Make sure you remove the plug from the set and wall outlet before inserting batteries.

## Batteries (not included)

- 1** Open the battery door and insert 6 batteries, type R-14, UM-2 or C-cells, (preferably alkaline) with the correct polarity as indicated by the "+" and "-" symbols inside the compartment.
  - 2** Replace the battery door, making sure the batteries are firmly and correctly in place. The set is now ready to operate.
- Batteries contain chemical substances, so they should be disposed of properly.**
- Incorrect use of batteries can cause electrolyte leakage and will corrode the compartment or cause the batteries to burst;
  - Do not mix battery types: e.g. alkaline with carbon zinc. Only use batteries of the same type for the set.
  - When inserting new batteries, do not try to mix old batteries with the new ones.
  - Remove the batteries if the set is not to be used for a long time.

## Power Supply

**Using AC power**  
**WARNING: Always check you have completely switched off the set, before you change or disconnect power supply.**

- 1** Check if the power voltage, as shown on the type plate located on the bottom of the set, corresponds to your local power supply. If it does not, consult your dealer or service center.
  - 2** Connect the power cord to the **AC MAINS**-inlet and the wall socket. The set is now connected and ready for use.
  - 3** To switch the set off completely, withdraw the power cord from the wall socket.
  - 4** Install the unit near the AC outlet and where the AC power plug can be easily reached.
- Disconnect the power cord from the wall socket to protect your set during heavy thunderstorms. Children could seriously injure themselves as the free end of the cable may still be live if only the connector is removed from the MAINS socket at the back of the unit.

The type plate is located on the bottom of the set.

**Helpful hints:**  
– To avoid unnecessary energy consumption, always adjust the **Source selector** to **OFF** after using the set.

**Helpful hints:**  
– To improve radio reception  
• For **FM**, extend, incline and turn the telescopic antenna for best reception. Reduce its length if the signal is too strong.  
• For **MW**, the set uses a built-in antenna. Direct this antenna for best reception by turning the whole set.

## General Operation / Tuner

**General operation**  
**Switching on and off and selecting the function**

- 1** To select your sound source, adjust the **Source selector** to: **CD, FM or MW.**
  - 2** To switch off the set, adjust the **Source selector** to **OFF** position.
  - 3** To switch to **LINE IN** mode, connect an external audio source to the **LINE-IN** inlet.
- Helpful hints:**
- The set switches to **LINE IN** mode automatically when an external audio source is connected, no matter the set is in **CD, FM or MW** mode.
  - The **LINE-IN** inlet is not for earphones.
- Adjusting volume and sound**  
Adjust the sound with the **VOLUME** and **DBB** controls.

## Radio reception

- 1** Adjust the **Source selector** to **FM or MW.**
- 2** Turn **TUNING** to tune to a station.

**Helpful hints:**  
– To improve radio reception  
• For **FM**, extend, incline and turn the telescopic antenna for best reception. Reduce its length if the signal is too strong.  
• For **MW**, the set uses a built-in antenna. Direct this antenna for best reception by turning the whole set.

## CD Player

### Playing a CD

- This CD player plays Audio Discs including CD-Recordables (CD-R) and CD-Rewritables (CD-RW).
- MP3, CD-ROM, CD-I, CDV, VCD, DVD or computer CDs are not possible for playback.

### IMPORTANT!

CDs encoded with **copyright protection technologies** by some record companies may be unplayable by this product.

- 1** Adjust the **Source selector** to **CD.**
- 2** Open the CD door, and insert a CD with the printed side facing up, then press the CD door gently to close.  
Display shows "–", and later the total number of tracks. (See 3)
- 3** Press **▶||** to start playback.
- 4** To pause playback, press **▶||**.  
Display: ▶ flashes. (See 4)
- 5** To resume, press **▶||** again.
- 6** To stop CD playback, press **■**.

### Helpful hints:

CD play will also stop when:  
– you open the CD door;  
– you select **FM, MW or OFF** sound source;  
– the CD has reached the end.

### Selecting a different track

- Press **▶◀** / **▶▶** once or repeatedly until the desired track number appears in the display.
- In the pause/stop position, press **▶||** to start playback.

### Finding a passage within a track

- 1** During playback, press and hold **▶◀** or **▶▶**.  
The CD is played at high speed and with reduced volume.
- 2** When you recognize the passage you want, release **▶◀** or **▶▶** to resume normal playback.

### Helpful hints:

– When your searching reaches the end of the last track, the CD goes to stop mode.

## CD Player

### Programming track numbers

You may store up to 20 tracks in the desired sequence. If you like, store any track more than once.

- 1** In the stop position, press **PROG** to activate programming.  
Display: **PROG** and **00** flash. (See 5)
- 2** Press **▶◀** or **▶▶** to select your desired track number.
- 3** Press **PROG** to store the desired track number.  
Display: **PROG** and **00** flash for you to program the next track.
- 4** Repeat steps **2** to **3** to select and store all desired tracks in this way.  
If you attempt to store more than 20 tracks, no track can be selected and the display shows "–".
- 5** To play your program, press **▶||**.

### Helpful hints :

– When playback of your program comes to the stop position, your set will return to normal playback. To re-enter program mode, press **PROG** in the stop position.

### Reviewing the program

In the stop position, press **PROG** repeatedly to see your stored tracks.

### Erasing a program

You can erase the contents of the memory by:  
– in the stop position, press **PROG** to enter program mode, and then press **■**.  
– selecting **FM, MW or OFF**;  
– opening the CD door;

### Different play modes: REPEAT, and SHUFFLE (See 6, 7)

**REPEAT**  
You can play the current track or the whole disc repeatedly, and combine **REPEAT** modes with **PROG** (PROGRAM).  
**REP** – plays the current track continuously.  
**REP ALL** – repeats the entire CD/program once or more.  
The display shows **REP** icon or **REP ALL** icon.  
**2** Press **▶||** to start playback if in the stop/pause position.  
**3** To return to normal playback, press **REPEAT** repeatedly until the modes are no longer displayed.  
– You can also press **■** to cancel your play mode.

### SHUFFLE

You can play all the tracks in random order.  
**1** In the stop position, press **SHUFFLE** to switch on shuffle play.  
Display shows **SHUFFLE** icon.  
**2** To switch off shuffle play, press **■**.

### Helpful hints:

– During the shuffle play, when **REP** function is selected, it will play the current shuffled track repeatedly, or when the **REP ALL** function is selected, it will repeat the shuffle play of the entire CD.

## Troubleshooting

If a fault occurs, first check the points listed below before taking the set for repair. If you are unable to remedy a problem by following these hints, consult your dealer or service centre.

**WARNING:** Do not open the set as there is a risk of electric shock. Under no circumstances should you try to repair the set yourself, as this will invalidate the guarantee.

### Problem

- Possible cause
- Remedy

### No sound /power

- Volume not adjusted
- Adjust the **VOLUME**
- Power cord not securely connected
- Connect the AC power cord properly
- Batteries dead/ incorrectly inserted
- Insert (fresh) batteries correctly
- CD contains non-audio files
- Press **▶◀** / **▶▶** once or more to skip to a CD audio track, instead of the data file.

### Display does not function properly / No reaction to operation of any of the controls

- Electrostatic discharge
- Switch off and unplug the set. Reconnect after a few seconds

### –, Er or 0 : indication

- No CD inserted
- Insert a CD
- CD badly scratched or dirty
- Replace/ clean CD, see Maintenance
- Laser lens steamed up
- Wait until lens has cleared
- CD-R/CD-RW is blank or not finalized
- Use a finalized CD-R/CD-RW or suitable CD Audio disc only

### Note:

**Make sure the CD is not encoded with copyright protection technologies, as some do not conform to the Compact Disc standard.**

### The CD skips tracks

- CD damaged or dirty
- Replace or clean CD
- Program/shuffle is active
- Quit program/shuffle mode

**Note:** A CD badly scratched or dirty may result in improper operation

## Environmental information

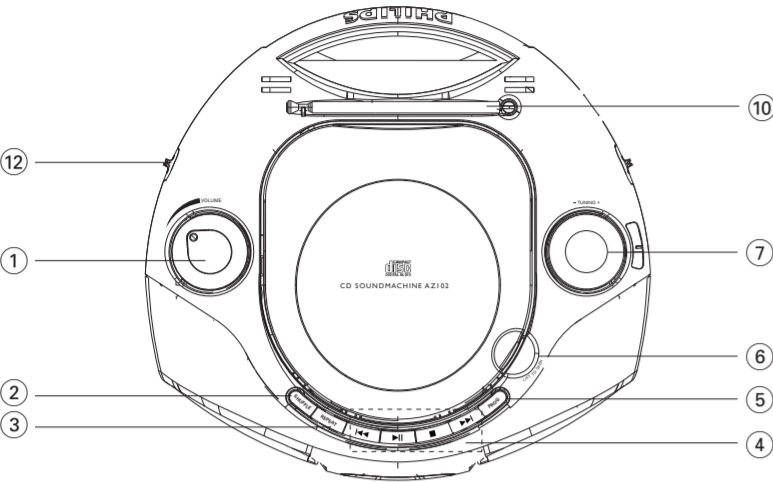
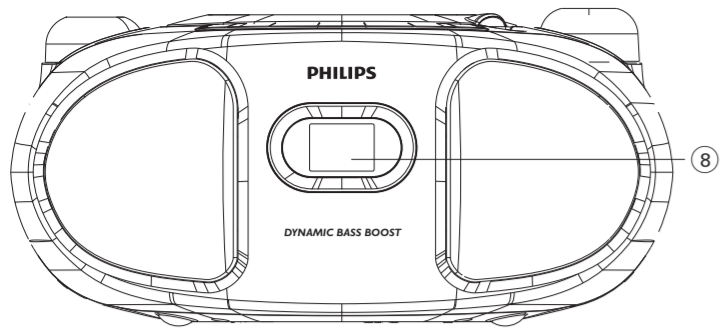
All unnecessary packaging material has been omitted. The packaging can be easily separated into three materials: cardboard, polystyrene and plastic.

**Your set consists of materials which can be recycled if disassembled by a specialized company. Please observe the local regulations regarding the disposal of packaging, dead batteries and old equipment.**

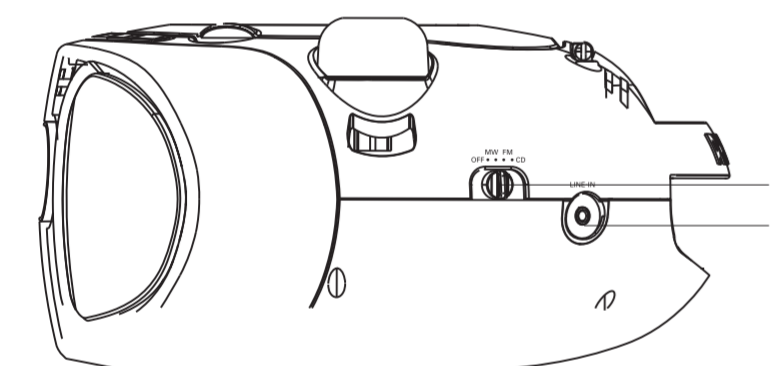
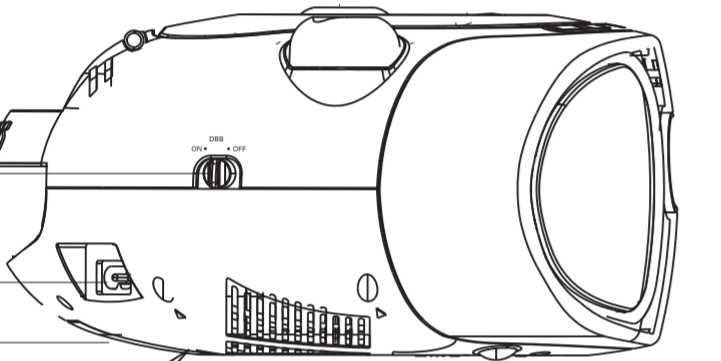
## Specifications

Power consumption..... ≤ 15 W  
Dimensions..... 290 mm x 143 mm x 240 mm  
Weight..... 1.62 kg

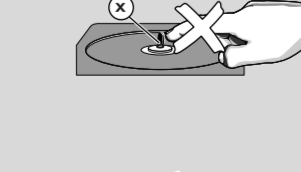
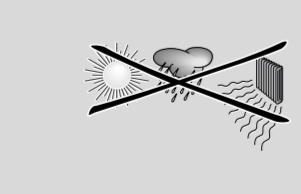
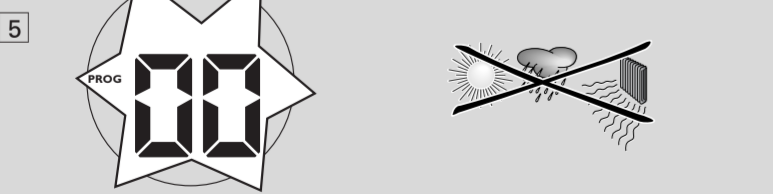
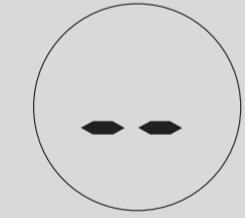
1



2



3



## 简体中文

恭喜您购买了您的产品，欢迎您来到 Philips 大家庭！为了您能充分享受 Philips 提供的支持，请在 [www.philips.com/welcome](http://www.philips.com/welcome) 上注册您的产品。

### 提供的配件

– 交流电源线

### 顶部面板/前面板 (请参阅 [1])

- VOLUME** – 调节音量水平。
- SHUFFLE** – 按随机顺序播放所有曲目。
- REPEAT** – 重复播放曲目/CD 曲目设定/整张 CD。
- ▶ II** – 开始或暂停 CD 播放。  
▶▶◀◀ – 选择下一/上一曲目。  
– 在当前曲目内向前/向后搜索 (按住该按钮)  
■ – 停止 CD 播放。  
– 擦除一个 CD 曲目设定。
- PROG** – 对曲目进行设定并查看该设定。
- LIFT TO OPEN** – 打开/关闭 CD 舱门。
- TUNING** – 调谐电台。
- 显示屏** – 显示 CD 功能。

### 后面板 (请参阅 [1] 和 [2])

- 来源选择器: CD, FM, MW, OFF** – 选择 CD 或收音机音源。  
– 关机开关。
- 伸缩天线** – 改善 FM 信号接收效果。
- AC MAINS** – 电源线插孔。
- DBB** – 打开/关闭低音增强。
- LINE-IN** – 外部音源插孔。

### 底部面板

- 电池盖** – 按下并推动箭头打开电池盖，插入 6 节 1.5 伏 R-14/ UM-2/ C 型电池。

## 控制/电源

### 注意

- 存在可见及不可见的激光辐射。如果盖子为打开状态，请勿直视激光束。
  - 高电压！请勿打开。有触电危险。本设备不包含任何用户可更换部件。
  - 修改本产品可导致 EMC 有害辐射情形或其它不安全的制作。
  - 不按此处说明的操作流程使用控件或进行调整可能导致不安全的制作。
- 本设备符合欧盟的无线电干扰要求。

### 电源

如果方便，请尽可能地使用电源线供电，以便节约电池电量。

在装入电池之前，请确保从设备和电源插座上拔出了插头。

### 电池 (未提供)

- 打开电池盖并插入 6 节电池 R-14、UM-2 或 C 型电池 (最好为碱性电池)；按照电池仓内标示的“+”和“-”符号，以正确的极性插入电池。
- 盖回电池盖，确保正确装入电池并且牢固、到位。设备现在可以操作了。

### 电池含有化学物质，因此应正确处理。

- 电池使用不当可导致漏液，从而腐蚀电池仓或导致电池爆裂。
- 不要混用电池：例如碱性电池与锌碳电池一起使用。该设备只能使用同一类型的电池。
- 插入新电池时，不要将新旧电池混合使用。
- 如果长时间不使用本设备，请将电池取出。

## 电源

### 使用交流电源

**警告：更改或断开电源之前，务必确保已完全关闭本设备。**

- 检查本设备底部型号铭牌上所标示的电源电压是否与本地电源电压一致。如果不一致，请咨询经销商或服务中心。
- 将电源线连接到 AC MAINS– 插孔和电源插座。设备即已连接，可以使用。
- 要完全关闭本设备，请从电源插座中拔出电源插头。
- 将本设备安装在交流电插座附近，使交流电源插头可轻易插接。
- 遇到雷暴天气时，请从电源插座中拔出电源线以保护您的设备。如果仅从该设备背面的 MAINS 插孔中拔出接头，由于线缆的未使用端仍然带电，它可能导致儿童受到严重的人身伤害。

### 型号铭牌位于本设备底部。

### 帮助提示：

- 为避免不必要的电能消耗，在使用完本设备后，请始终将来源选择器调至 OFF (关) 位置。

## 常规操作/调谐器

### 常规操作

#### 打开/关闭及选择功能

- 要选择音源，请将来源选择器调至 **CD**、**FM** 或 **MW** 位置。
- 要关闭本设备，请将来源选择器调至 **OFF** (关) 位置。
- 要切换到 **LINE IN** (线路输入) 模式，请将外部音源连接至 **LINE IN** 插孔。

### 帮助提示：

- 当连接了外部音源时，本设备将自动切换至 **LINE IN** (线路输入) 模式。无论设备处于 **CD**、**FM** 还是 **MW** 模式。
- 注意，**LINE-IN** 插孔并非用于插接耳机。调节音量和声音通过 **VOLUME** 和 **DBB** 控件调节音量。

### 电台接收

- 将来源选择器调到 **FM** 或 **MW**。
- 旋转 **TUNING** 调至所需电台。

### 帮助提示：

- 改善电台接收效果
- 对于 FM，延长、倾斜和转动伸缩天线，以获得最佳接收效果。如果信号太强，请缩短天线长度。
- 对于 MW，本设备使用内置天线。转动整套设备以调整天线的方向，从而获得最佳接收效果。

## CD 播放器

### 播放 CD

- 本 CD 播放器可播放音频光盘，包括可刻录 CD (CD-R) 和可重写 CD (CD-RW)。This CD player plays Audio Discs including CD-Recordables (CD-R) and CD-Rewritables (CD-RW)。
- 不能播放 MP3、CD-ROM、CD-I、CDV、VCD、DVD 或电脑 CD。MP3、CD-ROM、CD-I、CDV、VCD、DVD or computer CDs are not possible for playback.

### 注意事项！

本产品可能无法播放某些唱片公司发行的采用版权保护技术编码的 CD。

- 将来源选择器调至 **CD**。
- 打开 CD 舱门，令印刷面朝上放入 CD，然后轻按 CD 舱门将其关闭。显示屏将显示 --，然后显示总曲目数。(请参阅 [3])
- 按 **▶ II** 开始播放。
- 要暂停播放，请按 **▶ II**。要显示屏：闪烁 2 次。(请参阅 [4])
- 要继续，请再次按 **▶ II**。
- 要停止 CD 播放，请按 **■**。

### 帮助提示：

- 如出现以下情况，CD 播放也会停止：
  - 打开 CD 舱门；
  - 选择 FM、MW 或 OFF 音源；
  - CD 播放到了末尾。

### 选择不同的曲目

- 按一次或反复按 **◀◀ / ▶▶**，直至显示屏中出现所需曲目号。
- 处于暂停/停止位置时，按 **▶ II** 可开始播放。

### 在曲目内查找一个片段

- 在播放期间，按住 **◀◀** 或 **▶▶**。CD 将以较低的音量高速播放。
- 找到所需片段时，放开 **◀◀** 或 **▶▶** 可恢复正常播放。

### 帮助提示：

- 当搜索过程到达最后一个曲目的末尾时，CD 将进入停止模式。

## CD 播放器

### 设定曲目号

您可以按所需的顺序存储最多 20 首曲目。根据需要，可多次存储任何曲目。

- 在停止状态下，按 **PROG** 可开始设定。显示屏：**PROG** 和 **00** 将闪烁。(请参阅 [5])
- 按 **◀◀** 或 **▶▶** 选择所需的曲目编号。
- 按 **PROG** 存储所需的曲目编号。显示屏：**PROG** 和 **00** 将闪烁，提示您可以设定下一曲目。
- 重复步骤 2 至 3，按此方法选择并存储所有想要的曲目。如果您尝试存储超过 20 首曲目，则将无法选择曲目，且显示屏将显示 --。
- 要播放设定曲目，请按 **▶ II**。

### 帮助提示：

- 当设定曲目播放到停止位置时，本设备将回到正常播放状态。要重新进入曲目设定模式，请在停止位置按 **PROG**。

### 查看曲目设定

在停止位置，反复按 **PROG** 可查看存储的曲目。

### 擦除曲目设定

- 您可通过以下方式擦除存储的内容：
  - 在停止位置，按 **PROG** 进入设定模式，然后按 **■**。
  - 选择 **FM**、**MW** 或 **OFF**；
  - 打开 CD 舱门；

### 不同的播放模式：REPEAT (重复) 和 SHUFFLE (随机) (请参阅 [6]、[7])

**重复** 您可反复播放当前曲目或整张光盘，并可将其与 **REPEAT** (重复) 模式与 **PROG** (设定) 模式结合使用。

**REP** – 持续播放当前曲目。

**REP ALL** – 重复播放整张 CD/整个曲目设定

- 要选择播放模式，请按一次或多次 **REPEAT**。显示屏将显示 **REP** 图标或 **REP AL** 图标。
- 如果处于停止/暂停位置，请按 **▶ II** 开始播放。
- 要返回正常播放状态，请反复按 **REPEAT**，直到不再显示模式为止。

– 您还可以按 **■** 取消播放模式。

### 随机

您可按随机顺序播放所有曲目。

- 在停止位置，按 **SHUFFLE** 可打开随机播放功能。显示屏将显示 **SHUFFLE** 图标。
- 要关闭随机播放，请按 **■**。

### 帮助提示：

- 在随机播放期间，如果选择了 **REP** (重复播放) 功能，则会反复播放当前处于随机播放状态的曲目；如果选择了 **REP ALL** (全部重复) 功能，则会反复随机播放整张 CD。

## 环境信息

为使包装尽量简化，已省去所有不必要的包装材料。包材可轻易地分为三类：纸板、聚苯乙烯和塑料。

本设备的所有材料均可回收和再利用 (如果由专业公司拆卸)。请遵守当地有关包装材料、废电池和旧设备的处理规定。

### 规格

能耗 ..... ≤ 15 瓦  
尺寸 ..... 290 毫米 × 143 毫米 × 240 毫米  
重量 ..... 1.62 千克

## 维护与安全 (请参阅 [8])

### CD 播放机和 CD 处理

- 如果 CD 播放机无法正确读取 CD，可在维修之前使用清洁 CD 来清洁镜头。
- 绝对不要触摸 CD 播放机的镜头！
- 环境温度的突然变化会导致 CD 播放机镜头上凝结水汽。这种情况下，便不能播放 CD。切勿尝试清洁镜头，而应该将该设备置于温暖的环境中，直到湿气蒸发。
- 请始终关闭 CD 舱门，避免灰尘落在镜头上。
- 要清洁 CD，请使用柔软的无绒布从中心朝边缘的方向呈直线擦拭。切勿使用清洁剂，否则可能会损坏光盘。
- 切勿在 CD 上写字或粘贴任何标签。

### 安全信息

- 如请将本设备放在坚固、平坦且稳定的表面上，确保设备不会倾斜。
- 将电源插头或产品耦合器用作断开设备时，该断开设备应可以随时使用。
- 切勿将该设备、电池、CD 暴露于潮湿、阴雨、风沙环境，或者由于加热设备或阳光直射造成的高温环境中。
- 切勿将本装置暴露在滴漏或溅漏环境下。
- 通风孔和周围表面间具有最小 15 厘米 (6 英寸) 的间隙，可适当通风，以防止热量聚集。
- 切勿用报纸、桌布、窗帘等物体遮盖通风口。
- 不要将装有液体的物品 (例如花瓶) 放在本设备上。
- 不要将无遮盖的火源 (例如点燃的蜡烛) 放在本设备上。
- 本设备的机械部件包含自润滑轴承，无需上油或润滑。
- 如果要清洁本设备，请使用干布。切勿使用含有酒精、氨、苯或磨蚀性原料的清洁剂，否则可能损坏外壳。

部件名称 Name of the Parts	有毒有害物质或元素 Hazardous/toxic Substance					
	铅 (Pb, Lead)	汞 (Hg, Mercury)	镉 (Cd, cadmium)	六价铬 (Chromium 6+)	多溴联苯 (PBB)	多溴二苯醚 (PBDE)
Housing 外壳	○	○	○	○	○	○
DVD/CD loader DVD/CD 光盘	x	○	○	○	○	○
LCD Panel 液晶面板	x	x	○	○	○	○
Loudspeakers 喇叭单元	○	○	○	○	○	○
PWBs 电路板组件	x	○	○	○	○	○
Accessories (Remote control & cables) 附件 (遥控器、电源线、连接绳)	x	○	○	○	○	○
Batteries in Remote Control (Zn/C) 遥控器电池	x	○	○	○	○	○

○：表示该有毒有害物质在该部件所有均质材料中的含量均在 SJ/T11363 – 2006 标准规定的限量要求以下。  
○:Indicates that this toxic or hazardous substance contained in all of the homogeneous materials for this part is below the limit requirement in SJ/T11363 – 2006.

x：表示该有毒有害物质至少在该部件的某一均质材料中的含量超出 SJ/T11363 – 2006 标准规定的限量要求。

X: Indicates that this toxic or hazardous substance contained in at least one of the homogeneous materials used for this part is above the limit requirement in SJ/T11363 – 2006.



环保使用期限 Environmental Protection Use Period

This logo refers to the period ( 10 years )  
电子信息产品中含有的有毒有害物质或元素在正常使用的条件下不会发生外泄或突变，电子信息产品用户使用该电子信息产品不会对环境造成严重污染或对其人身、财产造成严重损害的期限。

This logo refers to the period ( 10 years ) during which the toxic or hazardous substances or elements contained in electronic information products will not leak or mutate so that the use of these [substances or elements] will not result in any severe environmental pollution, any bodily injury or damage to any assets.