

# Quick Start Guide

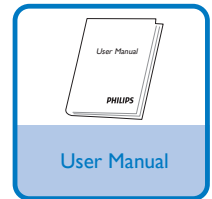
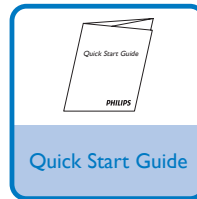
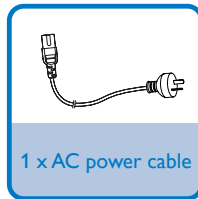
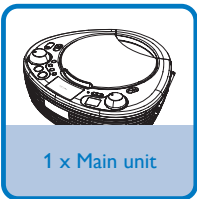


Step A *Connect*

Step B *Enjoy*

## What's in the Box?

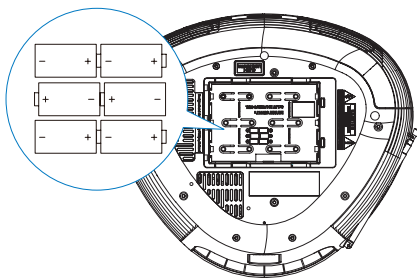
You should find these items upon opening the box.



## Step A *Connect*

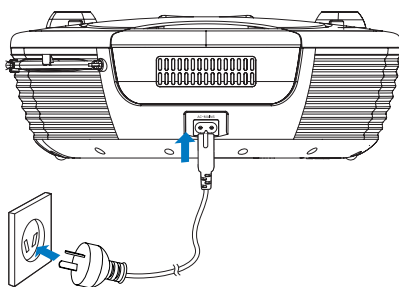
### Install batteries

- 1 Open the battery compartment.
- 2 Insert 6 batteries (type: R14/ UM2/ C-cells) with correct polarity (+/-) as indicated.
- 3 Close the battery compartment.



### Connect power

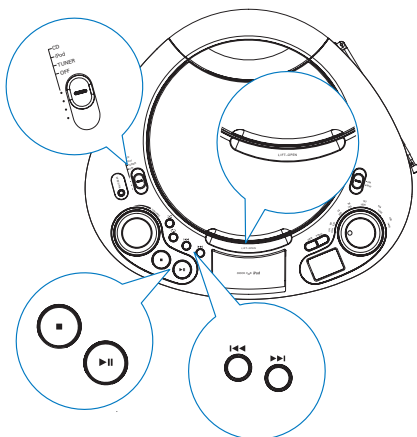
- 1 Connect the power cord to the **AC MAINS** jack on the unit and the power cord to the power supply socket.



## Step B *Enjoy*

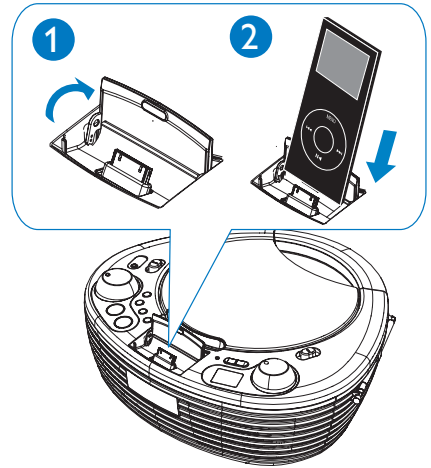
### Play disc

- 1 Push the source selector to **CD**.
- 2 Lift to open the disc compartment.
- 3 Insert a disc with the printed side facing up, then close the disc compartment.
- 4 Press **▶ ||** to start play.
- 5 To pause/resume play, press **▶ ||**.  
To stop play, press **■**.  
To select another track, press **◀ ▶**.  
To search within a track, press and hold **◀ ▶**, then release to resume normal play.



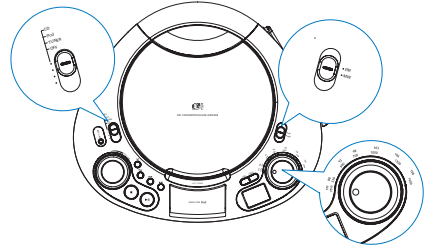
## Play from iPod

- 1 Lift to open the dock for iPod.
- 2 Place the iPod player in the dock.
- 3 Push the source selector to iPod.
- 4 To pause/resume play, press **▶ ||**.  
To skip to a track, press **◀▶▶**.  
To search during play, press and hold **◀▶▶**, then release to resume normal play.



## Listen to radio

- 1 Push the source selector to **TUNER**.
- 2 Push the band selector to **FM** or **MW**.
- 3 Turn **TUNING** to tune to a station.



### Tip

Detailed play features and additional functions are described in the supplied user manual.



© 2010 Koninklijke Philips Electronics N.V.  
All rights reserved.

<http://www.philips.com>

